



TARPING SYSTEMS & ACCESSORIES



# PARTS CATALOGUE



# Terms and Conditions:



**SHIPPING.** Orders are shipped F.O.B. from the Shur-Co® site listed below.

No full freight is allowed or prepaid shipment accepted unless quoted and approved in writing prior to acceptance of the order. All shipments are made by the most reasonable means in accordance with size and weight of order, unless specified routing instructions are furnished by the customer. Shipments are made daily via common carrier. Claims for shortages must be made within 10 days. All claims for damages or loss in transit must be made with the carrier. To ensure delivery of orders, we need your full street address, post code and phone number. When you receive your shipment, examine it carefully. Be sure all cartons listed on the delivery sheet are accounted for. Large items may be packaged separately. If a carton is damaged, open it and inspect the contents before signing for delivery. If merchandise is damaged, describe damage on the delivery receipt. Failure on your part to document damaged or missing merchandise on the delivery receipt releases the carrier of all liability; repair or replacement will be the customer's responsibility.

**WARRANTY & RETURN POLICY.** We warrant all new products are free of defects in materials and workmanship. This warranty is effective if products are properly installed and used for the purpose for which they were intended and applies to the original buyer only. Except as set forth above or in any product-specific warranty documentation, we make no other warranties, express or implied, including but not limited to warranties of merchantability of fitness for a particular use. If a warranty product return is scheduled to be picked up by us, we will pick up the product at our earliest convenience.

If a product returned is found, in our judgement, to be defective in material or workmanship, our obligation under this warranty is limited to the repair or replacement of the product, which will be made by us. Repair or replacement will be at our discretion, with replacements being made using current products performing in the equivalent function. Labour charges, other than those incurred at our factory, including, but not limited to, any labour to install a repaired or replacement product, are not covered under this warranty. All expenses associated with delivering defective products to our factory and delivering repaired or replacement products from our factory to the owner will be paid by us. If the product returned is found, in our judgement, to be non-warrantable, the owner will be contacted to authorize repair work, purchase of a replacement product or return of the product, all of which will be at the owner's expense. Payment authorization must be received by us before any non-warrantable product is repaired, replaced or returned. All expenses associated with delivering the repaired non-warrantable product, a replacement product or the no warrantable product from our factory to the owner will be paid by the owner.

In no event will we be liable for any damages of any kind to person, product or property, including but not limited to indirect, incidental, special, consequential or punitive damages, or damages for loss of profits or revenue, even if we have been advised of the possibility of such damages. There are no warranties for used products or products that have been repaired, altered, modified or subjected to misuse, negligence or accident. We will not repair or replace products that fail or malfunction due to ordinary wear and tear, except as expressly noted in a product-specific warranty. Use of non-Shur-Co® parts in conjunction with Shur-Co® products will void this product warranty. Certain products have specific warranties that differ from this warranty, for example motors and electronics. Product-specific warranty documentation is available for these items. In the event of a conflict between this warranty and a product-specific warranty, the product-specific warranty will govern.

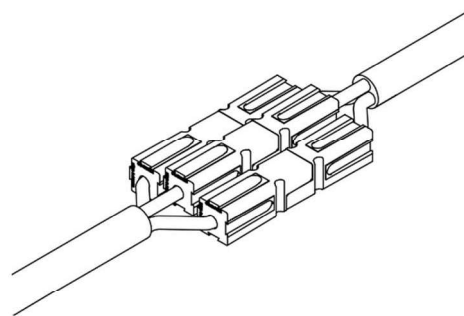
**OTHER.** All prices, product listings, sizes, weights and manufacturing details are subject to change without notice. No person is authorized to modify the foregoing conditions of sale whatsoever.

---

---

# ShurCover Electric Motors Smart 1+:

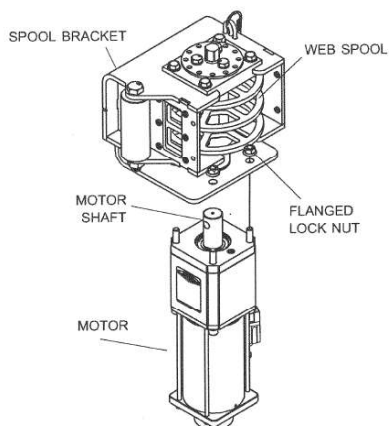
Parts related to *old style*  
Anderson square plugs



Standard roll systems.

Sheet fixed on passenger/nearside/LH side

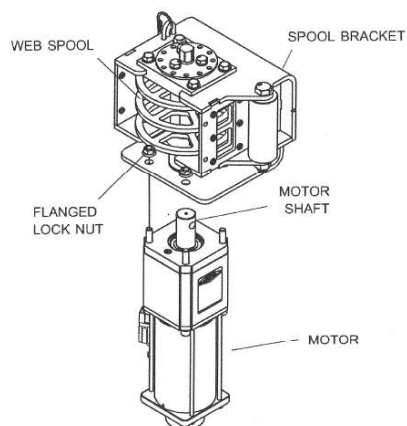
1705252 SPOOL MOTOR – UK STD (OLD PLUGS)



Reverse roll systems.

Sheet fixed on driver/offside/RH side

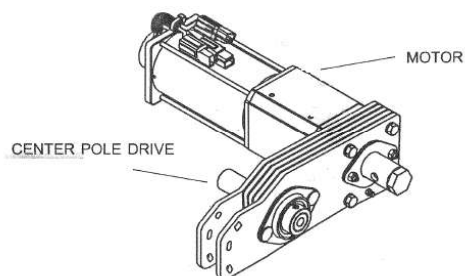
1705453 SPOOL MOTOR – UK RR (OLD PLUGS)



1124968 ROLL TUBE DRIVE ASSY W/MOTOR STD

SUPPLIED WITHOUT HARDWARE(1125064)

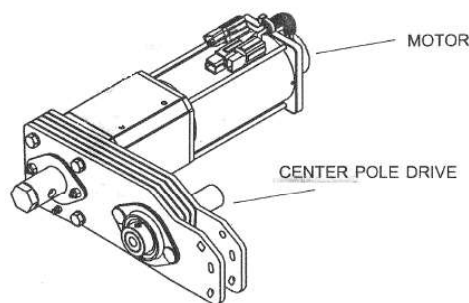
1705251 ROLL TUBE MOTOR STD (OLD PLUGS)



1124978 ROLL TUBE DRIVE ASSY W/MOTOR RR

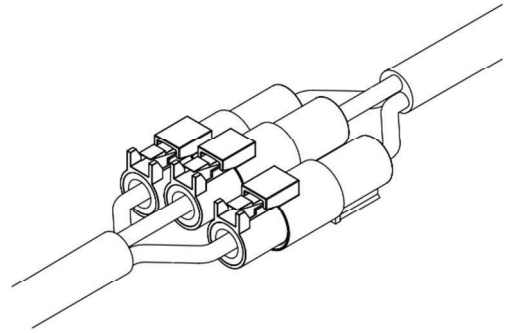
SUPPLIED WITHOUT HARDWARE(1125064)

1705511 ROLL TUBE MOTOR RR (OLD PLUGS)



## ShurCover Electric Motors Smart 3:

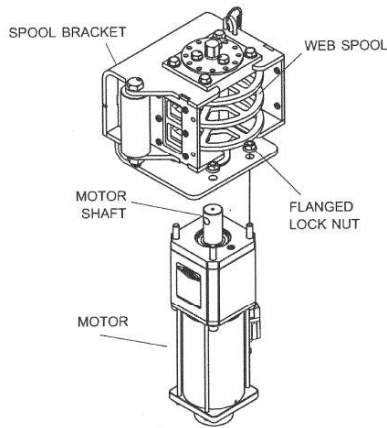
Parts related to *new style*  
Amphenol round plugs



Standard roll systems.

Sheet fixed on passenger/nearside/LH side

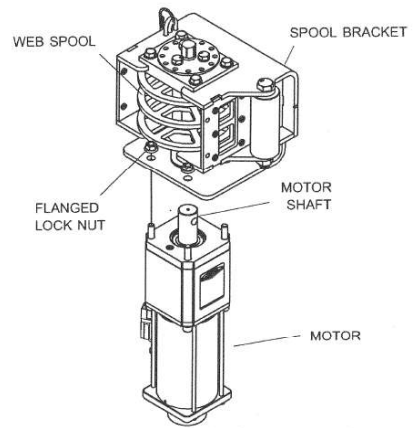
1706099 SPOOL MOTOR – UK STD (NEW PLUGS)



Reverse roll systems.

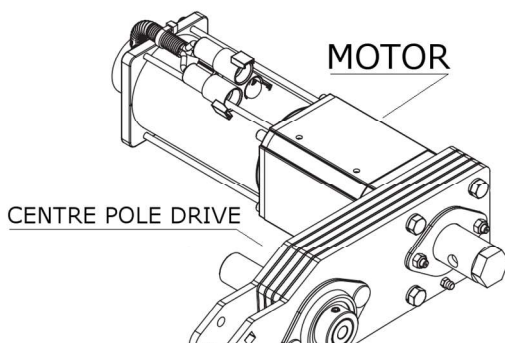
Sheet fixed on driver/offside/RH side

1706101 SPOOL MOTOR – UK RR (NEW PLUGS)



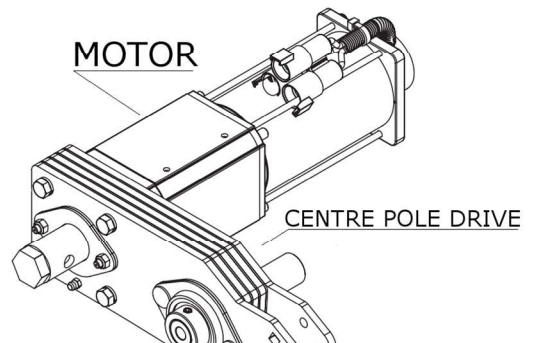
1128030 ROLL TUBE DRIVE ASSY W/MOTOR STD  
SUPPLIED WITHOUT HARDWARE(1125064)

1706098 ROLL TUBE MOTOR STD (NEW PLUGS)



1128032 ROLL TUBE DRIVE ASSY W/MOTOR RR  
SUPPLIED WITHOUT HARDWARE(1125064)

1706100 ROLL TUBE MOTOR RR (NEW PLUGS)

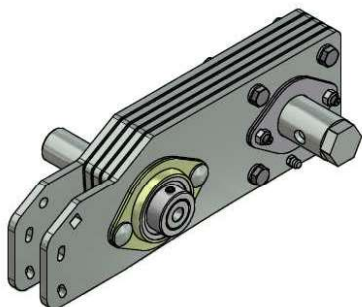


## Main Replacement Parts:

Standard roll systems.

Sheet fixed on passenger/nearside/LH side

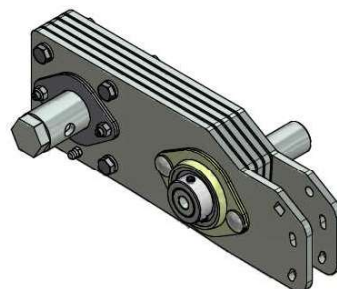
1127946 ROLL TUBE DRIVE W/O MOTOR STD  
SUPPLIED WITHOUT HARDWARE(1125064)



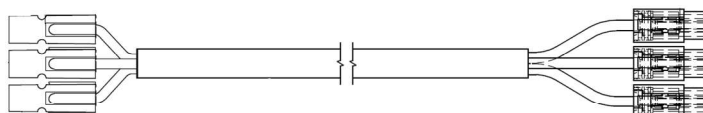
Reverse roll systems.

Sheet fixed on driver/offside/RH side

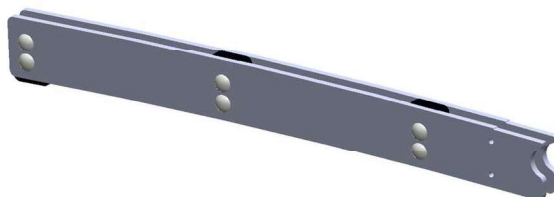
1127947 ROLL TUBE DRIVE W/O MOTOR RR  
SUPPLIED WITHOUT HARDWARE(1125064)



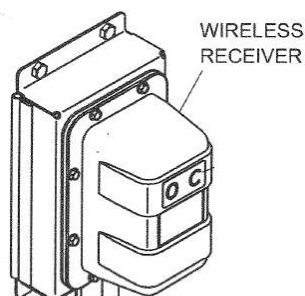
1128547 ADAPTOR CABLE OLD PLUGS TO NEW PLUGS



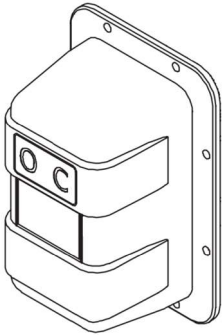
1124981 ROLL TUBE PIVOT ARM LOW RISE *SEE BELOW FOR HARDWARE*  
1125064 ROLL TUBE ARM HARDWARE BAG – ALL FIXINGS REQUIRED



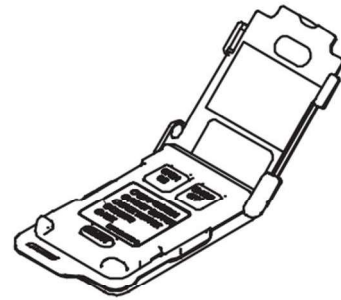
1128026 WIRELESS RECEIVER SMART 3 COMPLETE BOX  
*IN STOCK WITH NEW PLUGS ONLY, OLD PLUGS AVAILABLE UPON REQUEST*



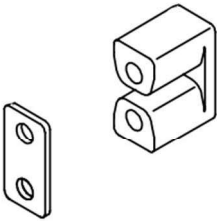
1127612 SOLENOID COVER SMART 3 INCLUDING WIRING AND CIRCUIT BOARD



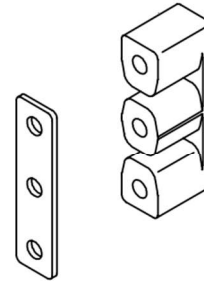
1126867 REPLACEMENT SMART3 TRANSMITTER



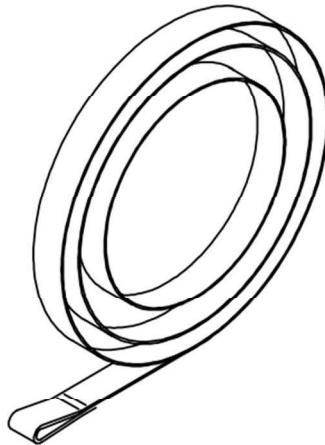
1125374 WEBBING GUIDE KIT SINGLE STRAP



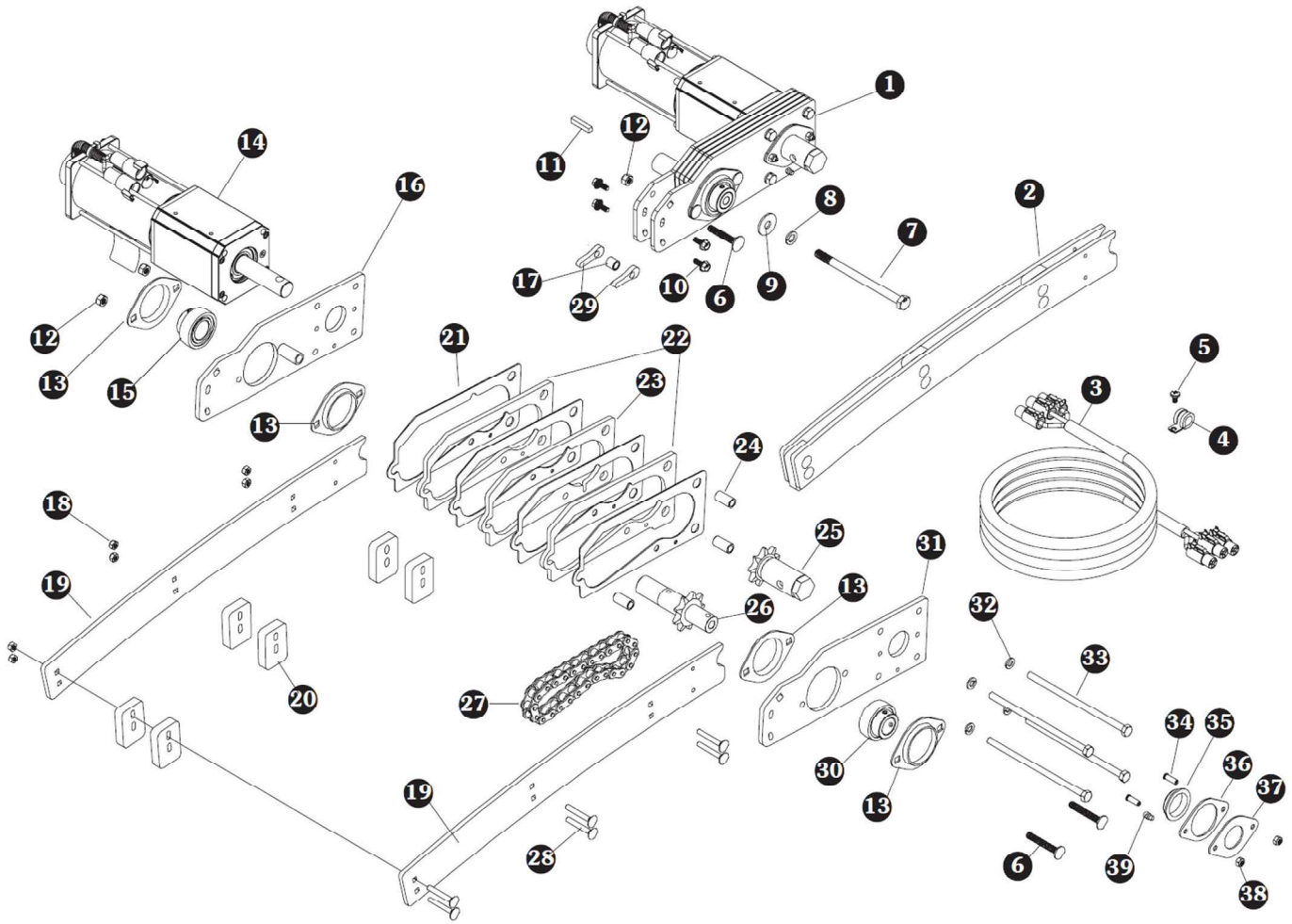
1125375 WEBBING GUIDE KIT DOUBLE STRAP



1805587 FRONT STRAP 6m LONG  
1805588 REAR STRAP RIGID BODY 12m LONG  
1805589 REAR STRAP TRAILER 18m LONG



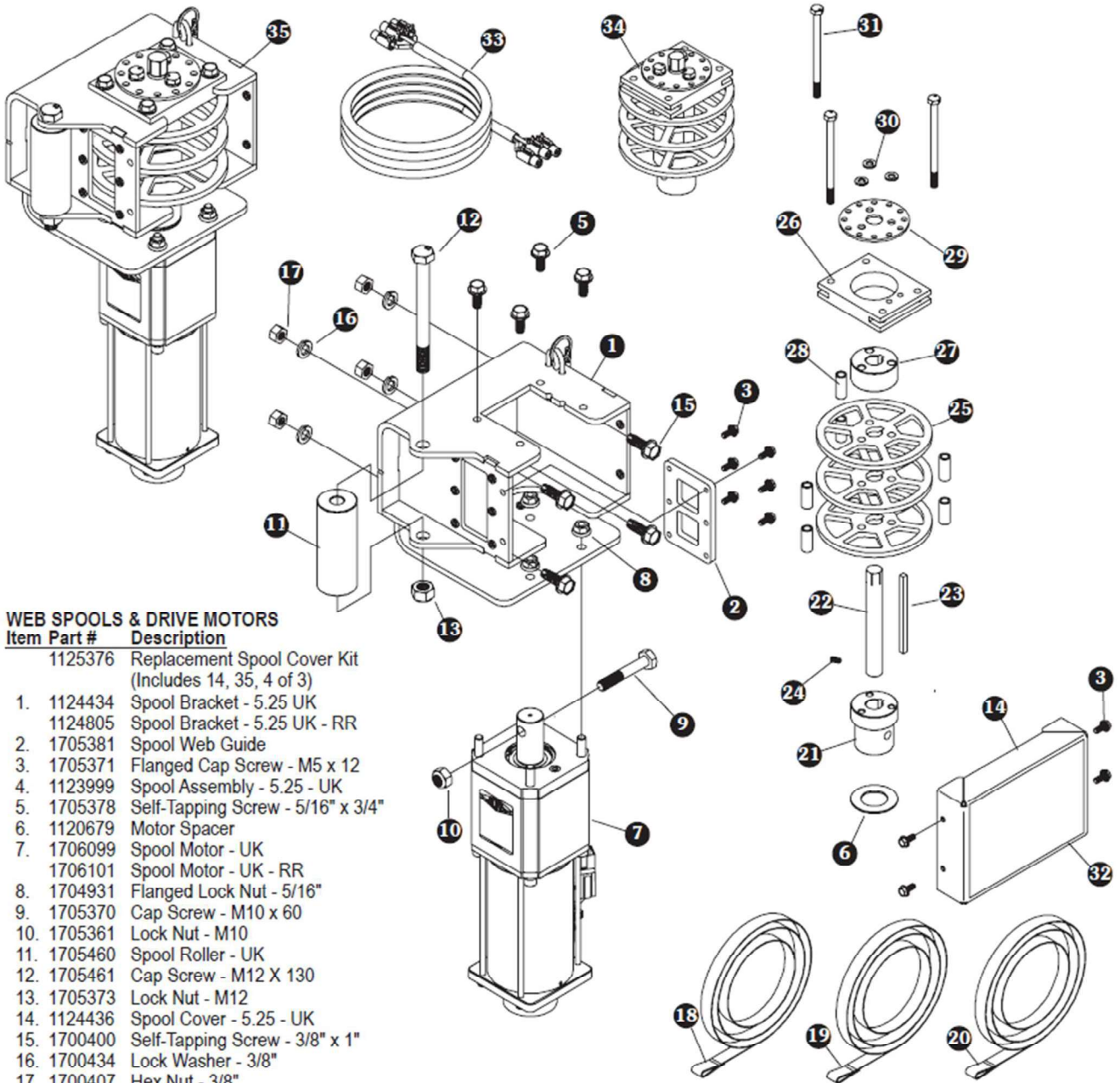
# Centre Pole Drive Exploded View:



Item	Part #	Description
	1124970	Center Pole Arm Plate - Manual Side - Standard (Includes 32, 37, 38, 39, 41, 2 of 36 & 40)
	1124977	Center Pole Arm Plate - Manual Side - Reverse Roll (Includes 32, 37, 38, 39, 41, 2 OF 36 & 40)
1.	1128030	Center Pole Drive w/Motor
	1128032	Center Pole Drive w/Motor - RR
2.	1124981	Center Pole Pivot Arm Assembly - Low Rise
	1124987	Center Pole Pivot Arm Assembly- High Rise
3.	1128008	Jumper Wire - Spool - Standard - 300mm
	1128009	Jumper Wire - Arm - Standard - 7000mm
	1128010	Jumper Wire - Spool - Reverse Roll - 1250mm
	1128011	Jumper Wire - Arm - Reverse Roll - 400mm
4.	1705344	Wire Clip
5.	1705353	Machine Screw - M6 x 10
6.	1705351	Carriage Bolt - M8 x 55
7.	1705355	Cap Screw - M10 x 150
8.	1705350	Lock Washer - M10
9.	1705347	Flat Washer - 10.5 x 30
10.	1705551	Flanged Cap Screw - M6 x 16
11.	1123996	Key Stock - 1 1/4"
12.	1705349	Nylon Lock Nut - M8 x 1.25
13.	1701054	Bearing Flange - 52mm - 2 Bolt
14.	1706098	Center Pole Motor
	1706100	Center Pole Motor - Reverse Roll
15.	1705450	Radial Ball Bearing - 1"
16.	1124975	Center Pole Arm Plate - Motor Side - Standard
	1124979	Center Pole Arm Plate - Motor Side - Reverse Roll

Item	Part #	Description
16.	1124975	Center Pole Arm Plate - Motor Side - Standard
	1124979	Center Pole Arm Plate - Motor Side - Reverse Roll
17.	1124982	Bushing - 1/2" x 1/2"
18.	1705352	Nylon Lock Nut - M6 x 1
19.	1124980	Center Pole Pivot Arm - Low Rise
	1124984	Center Pole Pivot Arm - High Rise
20.	1705363	Anti-Rotation Arm Guide
21.	1705452	Chain Box Gasket - 12" Rise
22.	1124437	Chain Box Plate - 12" Rise - 1/4" w/Hole
23.	1124438	Chain Box Plate - 12" Rise - 1/4"
24.	1124818	Bushing - 1/2" x .334" x 1"
25.	1705455	Center Pole Motor Drive Shaft
26.	1705458	Center Pole Sprocket Shaft
27.	1705456	Roller Chain - #50 x 16 1/4"
28.	1705348	Carriage Bolt - M6 x 45
29.	1124985	Center Pole Arm Cam
30.	1705459	Radial Ball Bearing - 7/8"
31.	1124976	Center Pole Arm Plate - Manual Side
32.	1700433	Lock Washer - 5/16"
33.	1705346	Cap Screw - M8 x 170
34.	1705360	Flush Stud
35.	1705359	Flanged Bushing - 1 13/32" x 3/8"
36.	1123982	Bearing Spacer
37.	1123981	Bearing Cover
38.	1705352	Nylon Lock Nut - M6 x 1
39.	1705356	Grease Fitting - M6 x 1

# Webbing Strap Spool Assembly Exploded View:



**WEB SPOOLS & DRIVE MOTORS**

Item	Part #	Description
	1125376	Replacement Spool Cover Kit (Includes 14, 35, 4 of 3)
1.	1124434	Spool Bracket - 5.25 UK
	1124805	Spool Bracket - 5.25 UK - RR
2.	1705381	Spool Web Guide
3.	1705371	Flanged Cap Screw - M5 x 12
4.	1123999	Spool Assembly - 5.25 - UK
5.	1705378	Self-Tapping Screw - 5/16" x 3/4"
6.	1120679	Motor Spacer
7.	1706099	Spool Motor - UK
	1706101	Spool Motor - UK - RR
8.	1704931	Flanged Lock Nut - 5/16"
9.	1705370	Cap Screw - M10 x 60
10.	1705361	Lock Nut - M10
11.	1705460	Spool Roller - UK
12.	1705461	Cap Screw - M12 X 130
13.	1705373	Lock Nut - M12
14.	1124436	Spool Cover - 5.25 - UK
15.	1700400	Self-Tapping Screw - 3/8" x 1"
16.	1700434	Lock Washer - 3/8"
17.	1700407	Hex Nut - 3/8"
18.	1805587	Webbing - 6m x 25mm - Front
19.	1805588	Webbing - 12m x 25mm - Rear Ridged
20.	1805589	Webbing - 18m x 25mm - Rear - Trailer
21.	1124042	Spool Shaft - Motor Adapter
22.	1124819	Spool Shaft - 3/4" x 5 3/4"
23.	1124002	Keystock - 1/4" x 4 1/4"
24.	1705387	Socket Set Screw - M6 x 12
25.	1124001	Spool Plate - 5 1/4"
26.	1124043	Bushing Spacer - 3/16"
27.	1124820	Upper Spool Bearing Spacer
28.	1705377	Spool Bearing
29.	1124004	Spool Lock Plate - 1 3/16"

Item	Part #	Description
30.	1700433	Lock Washer - 5/16"
31.	1705385	Cap Screw - M8 x 1.25 x 120
32.	1705581	ShurCover Decal
33.	1128008	Jumper Wire - Spool - Standard - 300mm
	1128009	Jumper Wire - Arm - Standard - 7000mm
	1128010	Jumper Wire - Spool - Reverse Roll - 1250mm
	1128011	Jumper Wire - Arm - Reverse Roll - 400mm
34.	1128999	Spool Assembly - 5.25
35.	1128031	Webbing Spool Drive Assembly
	1128033	Webbing Spool Drive Assembly - Reverse Roll