

# UNDERBODY CYLINDER

TYPE : A DWR

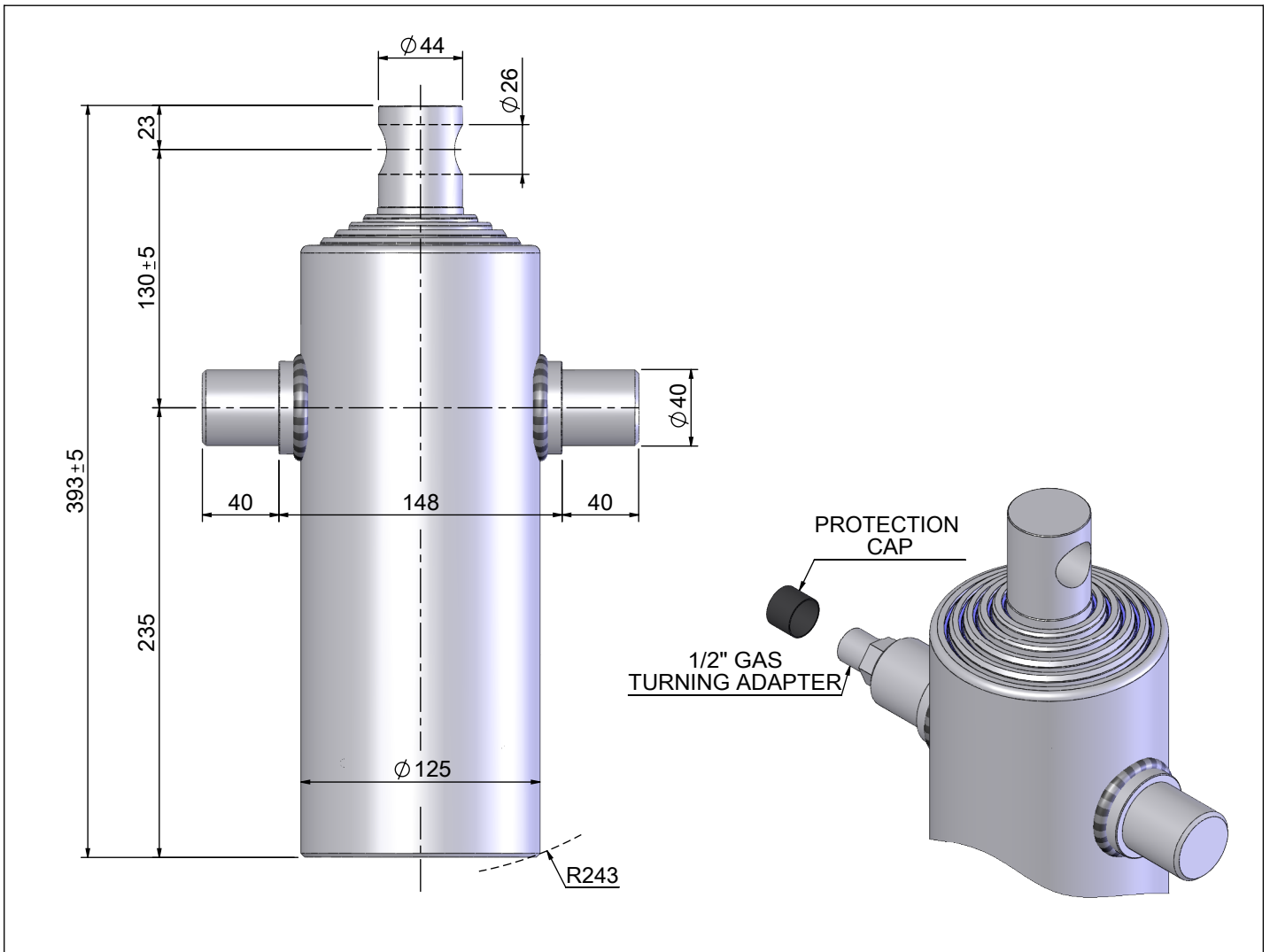
SERIE : Ø 125

CYL. TYPE

A DWR 5.1200.125 - D130

For Tipping Weight See Advices Below

## Technical Characteristics



### Cylinder stages

Ø Stage	Ø045	Ø060	Ø075	Ø090	Ø105	Ø069	Ø088	Ø107	Ø126	Ø145	Ø165	Ø167	Ø187	Ø210	Ø236	Ø265
Thrust at 200 Bar [Tons]	3.20	5.60	8.80	12.70	17.50	---	---		---	---	---	---	---	---	---	---
Stages of cylinder	●	●	●	●	●											

### Specifications

Stages number	05
Cylinder Stroke [ mm ]	1200
Cylinder weight only [ kgs ]	27.10
Working volume [ Ltrs ]	6.50
Max Working pressure [ Bar ]	200

### Technical Information

<input type="checkbox"/> Oil	: See oil specification sheet
<input type="checkbox"/> Tipping weight	: Net weight + Payload
<input type="checkbox"/> Fitted centres [°]	: Closed centres plus 20 mm pull out

### Advices

All our cylinders are manufactured to suit the particular application in the differing world markets/climate. Should you require details of the exact lifting capacity of the cylinder that has been selected for your application/veichle then please contact our technical department who will be only pleased to explain or advise.

### Brackets and Accessories

Open brackets [ 2 Units per cylinder ]	SSA#C	0.8 [kgs] x 1 =
Cradle	CU#AB	8.20 [kgs] x 1 =
Turning Adapter	RO#AN	0.18 [kgs] x 1 =

### Recommendation

<input type="checkbox"/> This Binotto cylinder is designed as a lifting device only
<input type="checkbox"/> It must not be used as a structural member or be subject to side loads
<input type="checkbox"/> Pump flow in consultation with Binotto engineering department

**BINOTTO SRL**

BINOTTO IS CONSTANTLY ENGAGED IN IMPROVING ITS PRODUCTS AND THEREFORE RESERVES THE RIGHT TO MODIFY WITHOUT ANY NOTICE CHARACTERISTICS SHOWN

VIA DIVISIONE JULIA, 7/B - 36031 DUEVILLE [VI] ITALY • TEL. 0039.0444.593290 - FAX. 0039.0444.593357 • E-MAIL. INFO@BINOTTO.COM

Edit.: 01 • 2011

Rev.: 00 • 2010

Date: 23.01.2020

Pag.: A DWR 5.1200.125\_06