

REAR MOUNTED OIL TANK

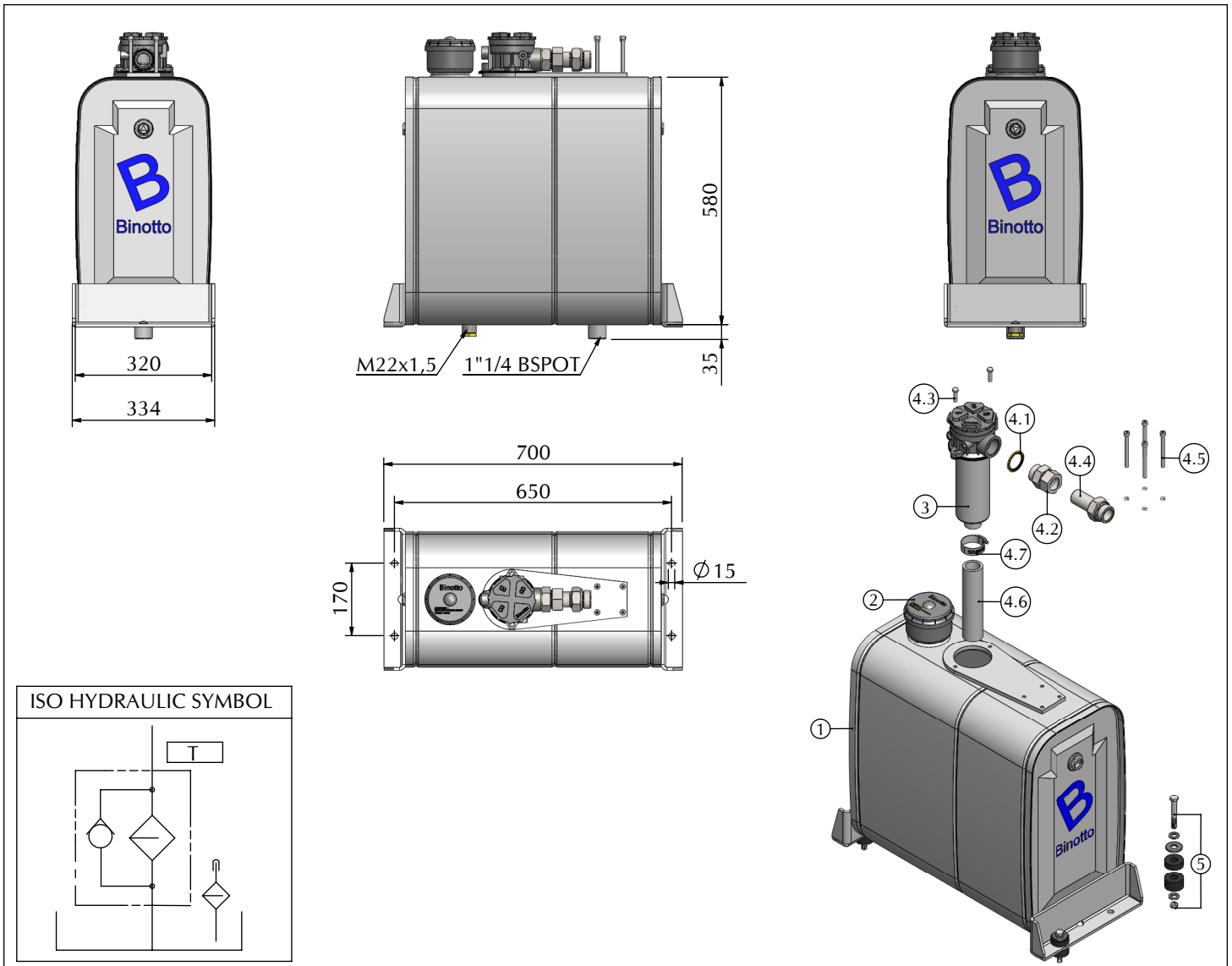
MATERIAL: STEEL

CONFIGURATION: Tank ret. filter x Tipping Valve DVT#S,#T,#U,#V

TANK TYPE **SERB_S#V2MX0600_H1**

Oil tank 320x580x0600 VL086V2 Grey

Technical Characteristics



Spare Parts List

N.	PART NUMBER	DENOMINATION	U.M.	Q.TY
1	LSB_S#V2MX0600_H1	Oil tank 320x580x0600 VL086/100V2 [G]	N.	1
2	TAP_0126	Air breather filter Pi 0126 MIC	N.	1
3	FLT_100-A25	Tank return filter MPT - Flow 100 - A25	N.	1
4	KMSERB#100	Oil tank - MPT100-A25 --> MD150-1"1/4 A.L. Mounting kit - [VL062/088]	N.	1
4.1	ROB#G	Dowty washer 1"1/4 BSP	N.	1
4.2	TN#AI	Hose connection TN 092-35LR 1"1/4 for valve MOD150	N.	1
4.3	KFFLT#003	Return Filter FLT_100-A25 mounting kit	N.	1
4.4	TN#ED	Hose connection TN 126-35 1"1/4 c/Oring [Spec]	N.	1
4.5	KFDVT#003	Tipping Valve mounting kit for MD150 1"1/4	N.	1
4.6	TG_Ø140V-200	Hose Øi40 mm. - L = 200 mm.	N.	1
4.7	FAS#ZZ	Clamp Ø40 / 60 Art. 3081	N.	1
5	KFSERB#001	Oil tank mounting kit [type 2/3]	N.	1
6	KCADES_001	Hydraulic kit information pack - Binotto [NOT SHOWN]	N.	1

BINOTTO SRL

BINOTTO IS CONSTANTLY ENGAGED IN IMPROVING ITS PRODUCTS AND THEREFORE RESERVES THE RIGHT TO MODIFY WITHOUT ANY NOTICE CHARACTERISTICS SHOWN

VIA DIVISIONE JULIA, 7/B - 36031 DUEVILLE [VI] ITALY • TEL. 0039.0444.593290 - FAX. 0039.0444.593357 • E-MAIL. INFO@BINOTTO.COM

Edit.: 00 • 2012

Rev.: 00 • 2012

Date: 01/05/2012

Pag.: V2MX0600_H1_01