

# REAR MOUNTED OIL TANK

**MATERIAL: STEEL**

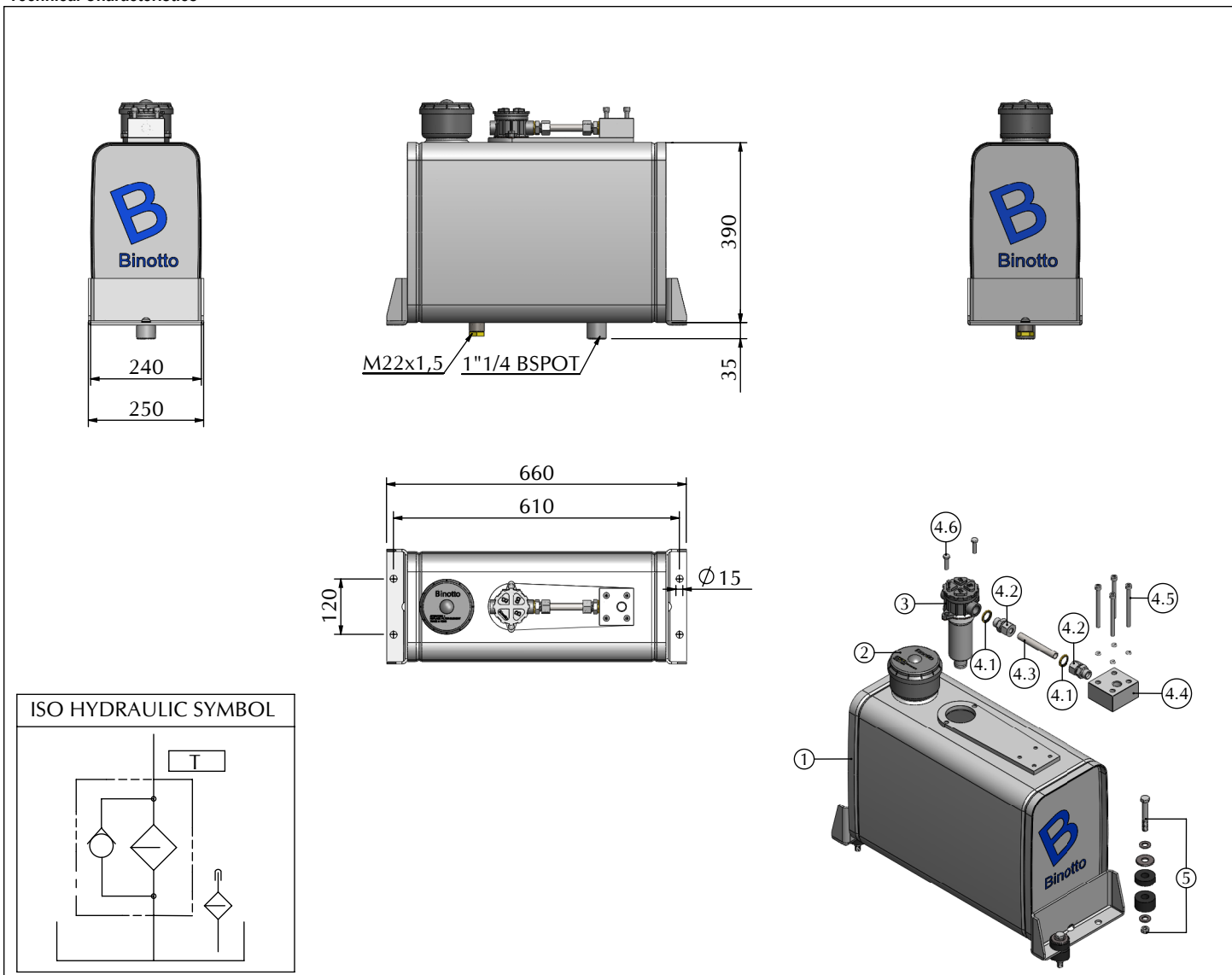
**CONFIGURATION: Tank ret. filter x Tipping Valve DVT#L,#M**

TANK TYPE

**SERB\_S#V2CX0560\_H1**

Oil tank 240x390x0560 VL040V2 Grey

## Technical Characteristics



## Spare Parts List

N.	PART NUMBER	DENOMINATION	U.M.	Q.TY
1	LSB_S#V2CX0560_H1	Oil tank 240x390x0560 VL040V2 [G]	N.	1
2	TAP_0126	Air breather filter Pi 0126 MIC	N.	1
3	FLT_020-A25	Tank return filter MPT - Flow 020 - A25	N.	1
4	KMSERB#095	Oil tank MPT020-A25 --> MD080-1/2" - [VL040]	N.	1
4.1	ROB#D	Dowty washer 1/2" BSP	N.	2
4.2	TN#A6	Hose connection TN92 - 15 LR - 1/2" BSPOT	N.	2
4.3	TCL#C020110A	Steel pipe Ø15x1.5x110 White Zinc Plated	N.	1
4.4	PIAS_80-75-41-ALL-FP80	Alluminium plate 80x75x41 - F.Ø18-1/2" for valve FP/FM80	N.	1
4.5	KFDVT#008	Tipping Valve mounting kit	N.	1
4.6	KFFLT#002	Return Filter FLT_020-A25 mounting kit	N.	1
5	KFSERB#001	Oil tank mounting kit [type 2/3]	N.	1
6	KCADES_001	Hydraulic kit information pack - Binotto [NOT SHOWN]	N.	1

## BINOTTO SRL

BINOTTO IS CONSTANTLY ENGAGED IN IMPROVING ITS PRODUCTS AND THEREFORE RESERVES THE RIGHT TO MODIFY WITHOUT ANY NOTICE CHARACTERISTICS SHOWN

VIA DIVISIONE JULIA, 7/B - 36031 DUEVILLE [VI] ITALY • TEL. 0039.0444.593290 - FAX. 0039.0444.593357 • E-MAIL. INFO@BINOTTO.COM

Edit.: 00 • 2012

Rev.: 00 • 2012

Date: 01/05/2012

Pag.: V2CX0560\_H1\_01