



**Voltage Range:** 12/24V

**Warranty:** 5 years

**Ingress Protection:** IP67

**Approval:** ECE & EMC ✓

- Modern rear lamp design
- Low-profile – only 20mm depth
- Tough acrylic lens
- Signature diamond pattern lens

- Shock, water & dust proof
- Harness system compatible
- Double 2-pin accessory connection – compatible with 'plug & play' number plate lamps, see p.068–069



### STOP / TAIL / INDICATOR / FOG / REVERSE / TRIANGLE REFLECTOR

**EU390LR2** Twin Pack

**EU390L** Left

**EU390R** Right

*Current Draw (13.8V / 28V):*

*Stop: 0.59A / 0.3A, Tail: 0.47A / 0.25A, Indicator: 0.55A / 0.31A,*

*Fog: 0.44A / 0.29A, Reverse: 0.58A / 0.29A*

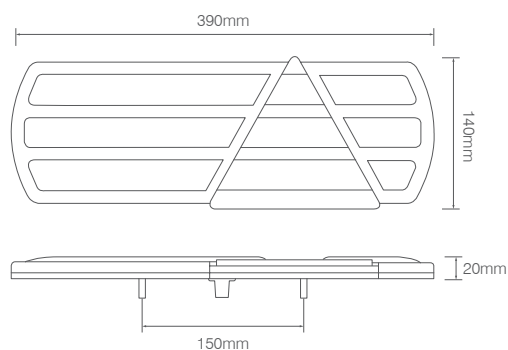
### TWIN ACCESSORY CONNECTION



41BLM-1P

Overall Size: 390 x 140 x 20mm

Cable Length: 400mm



### SUPER LOW-PROFILE

