

Spare Parts Catalogue
Hydraulic crane
PK 6500
(S108A)

Edition 08/2000

EN

PALFINGER AG
Lamprechtshausener Bundesstraße 8
5101 Bergheim / Austria
www.palfinger.com

Preface

This catalogue of spare parts is based on latest stages of product design and development.

If you have maintained and serviced the technically matured equipment purchased from us in accordance with our instructions, there will scarcely be any need to consult this spares catalogue.

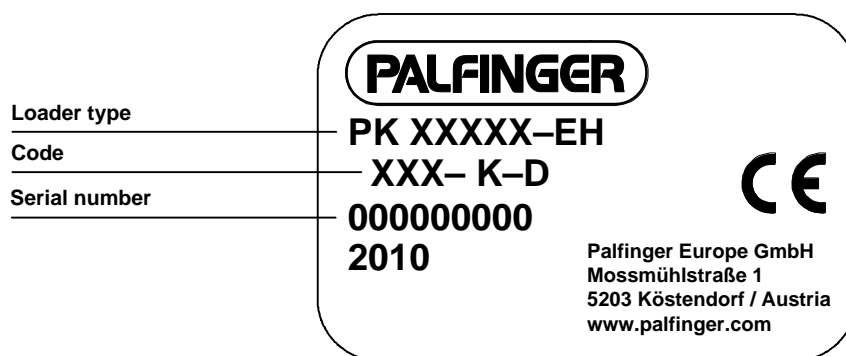
Should, in spite of this, the occasion arise to order spares, we would kindly ask you to state precise details as given in the catalogue, (please refer to "INFORMATION ON THE ORDERING OF SPARE PARTS") so as to avoid confusion.

We reserve the right to make design modifications.

Information on the ordering of spare parts

To supply you with the correct parts in the shortest possible time it is necessary to inform us about following details:

- Loader type, code and serial number (look identification plate)
- Spare parts number
- Required quantity of spare parts

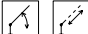
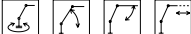

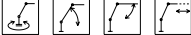


Signs and symbols

(-->123456789)	Valid to crane number		
(123456789-->)	Valid from crane number		
(1-16)	consists out of position 1-16		
(+20)	with position 20		
Page-A	Control valve side		
Page-B	Counter control side		
ABST	Support	R	without extension box
		R0	One side extension box
		R1	Both side extension box
		R2	Both side extension box - extended
		R3	Extension box telescopic
		R4	Both side extension box - extended
		R.X	Both side extension box - hydraulical
		SR.	Support controllable from top seat
DPS+	Dual Power System Plus	FFST	Radio remote control
FERN	Remote control	PALF20	PALFINGER-PALCOM
FERT	Type - remote control	P2	PALFINGER-SCANRECO
		BMS2	HETRONIC
		P3	with display
GGSR	Control (reverse acting)	LKW	Mounting LKW
GRA	Type - crane Base	SAT	Semi-trailer installation
		EGG	Integrated base
HEC	Rear-stabilizer	HSTZY	Tiltable stabilizer
HEM	Rear module	HEM900	Rear module +900
HKONS	Top seat FFST	HK001	Standard seat
		HK002	Tiltable seat
		HK003	Seat with heater
		HK004	Folding seat with heater
HOST	Top seat - control	KL0	Linear lever control
		KK1	Cross lever control
HPLS	High Power Lifting System	EHPLS	High Power Lifting System
		SHPLS	Super High Power Lifting System
HSITZ	Top seat - standard	HS005	Tiltable seat
		HS012	Standard seat
HYA,PJHY	Hydraulic extensions	()	Crane with one hydraulic extension boom
		A	Crane with 2 hydraulic extension booms
		B	Crane with 3 hydraulic extension booms
		C	Crane with 4 hydraulic extension booms
		D	Crane with 5 hydraulic extension booms
		E	Crane with 6 hydraulic extension booms
		F	Crane with 7 hydraulic extension booms
		G	Crane with 8 hydraulic extension booms
		H	Crane with 9 hydraulic extension booms
IKONS	Standing platform FFST	IK002	without IS001, with IG001
		IK004	with IS001,IG001
		IK006	with IS002,IG001
IG	Railing	IG001	3 port
		IG002	2 port
IS	Limitation of rotation (I)	IS001	Limitation of rotation over (I)
		IS002	Limitation of rotation, main boom over (I)
		IS003	Limitation of rotation over (FL)
ISC	Integrated Stability Control	ISC01	Support control +SHB
		HPSC	High Performance Stability Control
LHA	Crane hook	LHA03	25t with sleeve bearing
		LHA04	8t with sleeve bearing
		LHA06	15t with sleeve bearing
		LHA08	5,4t with sleeve bearing
		LHA09	11t with roller bearing
		LHA12	8t with roller bearing

LHV	Load holding valve	LHV...	see page 0.22
NOTAB	Emergency lowering device	NOT01	(NOTAB) Lifting cylinder
O	Overload protection	OSK	with lock cylinder
OELKU	Oil cooler	ÖLK01	Oil cooler 8.5kW mounted
		ÖLK02	Oil cooler 10.5kW, loose
		ÖLK03	Oil cooler 8.5kW, loose
		ÖLK04	Oil cooler 20kW mounted
		ÖLK05	Oil cooler 20kW, loose
		ÖLK07	Oil cooler 10.5kW mounted
		PT050	Paltronic 50
		PT150	Paltronic 150
PAL	Paltronic		
PJ	Fly-Jib		
PJHY	Hydraulic extensions	see (HYA)	
PJKSL	Hose-equipment (PJ)	J02	1 Auxiliary equipment
		J04	Auxiliary equipments2
PJV	Extension	see (V)	
PUMPE	Type - pump	PU002	Fixed displacement pump
		PU003	Variable displacement pump
RODRU	Rotator (...bar)		
S	Rope winch	SHE	with limiting switch - main boom
		SK	without limiting switch - outer boom
		SKE	with limiting switch - outer boom
		SHEK	Power link rope winch (hydraulic tilttable at main boom)
		GR__	Limit of rotation __ degree
SCH	Slew limitation	SHB01	with one pressure range
SHB	Slew angle dependent capacity limitation	SHB07	with 2 pressure ranges + jumper
		MULT11	Quick-coupling, crane
		MULT12	Quick-coupling,(PJ)
		MULT13	Quick-coupling, crane+(PJ)
SKUPP	Quick-coupling Multifaster	2	1 Auxiliary equipment - hose tray
		4	2 Auxiliary equipment - hose tray
SL	Hose-equipment	T2	1 Auxiliary equipment - hose drum
		T4	2 Auxiliary equipment - hose drum
		T2i	1 Auxiliary equipment - hose drum (inside)
		T4i	2 Auxiliary equipment - hose drum (inside)
SLVO	Preparation (SL)	VSL2	Preparation (SL) 1 auxiliary equipment
		VSL4	Preparation (SL) 2 auxiliary equipment
SONSL	Control valve section (SL)	SSZD	Brick grab Germany
		SSZT	Brick grab + deadman push button
		SCSTD	Type Scandinavian
SOSTZ	Stabilizer ram	STÜ01	Stabilizer ram -150 mm
		STÜ02	Stabilizer ram +100 mm
		STÜ03	Stabilizer ram -100 mm
STEIL	Boom angle monitoring system	STEIL1	Boom angle monitoring system
		STEIL2	Monitoring the steep position (PJ)
STG	Control - support	FL	Control valve - support
		FLZUS	Control valve - auxiliary support
		FFST4	remote controlled (4-elements)
		FFST8	remote controlled (8-elements)
		FFST12	remote controlled (12-elements)
		FFST14	remote controlled (14-elements)
STGA	Control - crane	FL	Floor control
		I	High stand platform
		H	Top seat
		NK	Emergency control - crane column
		NK2K	Emergency control - crane column, double circuit
STRAN	Rope winch, strand	1	1 strand
		2	2 strand
		4	4 strand
STT	Stabilizer plates	STD	Standard
		—	Extension __mm
STU	Hour meter		

Signs and symbols

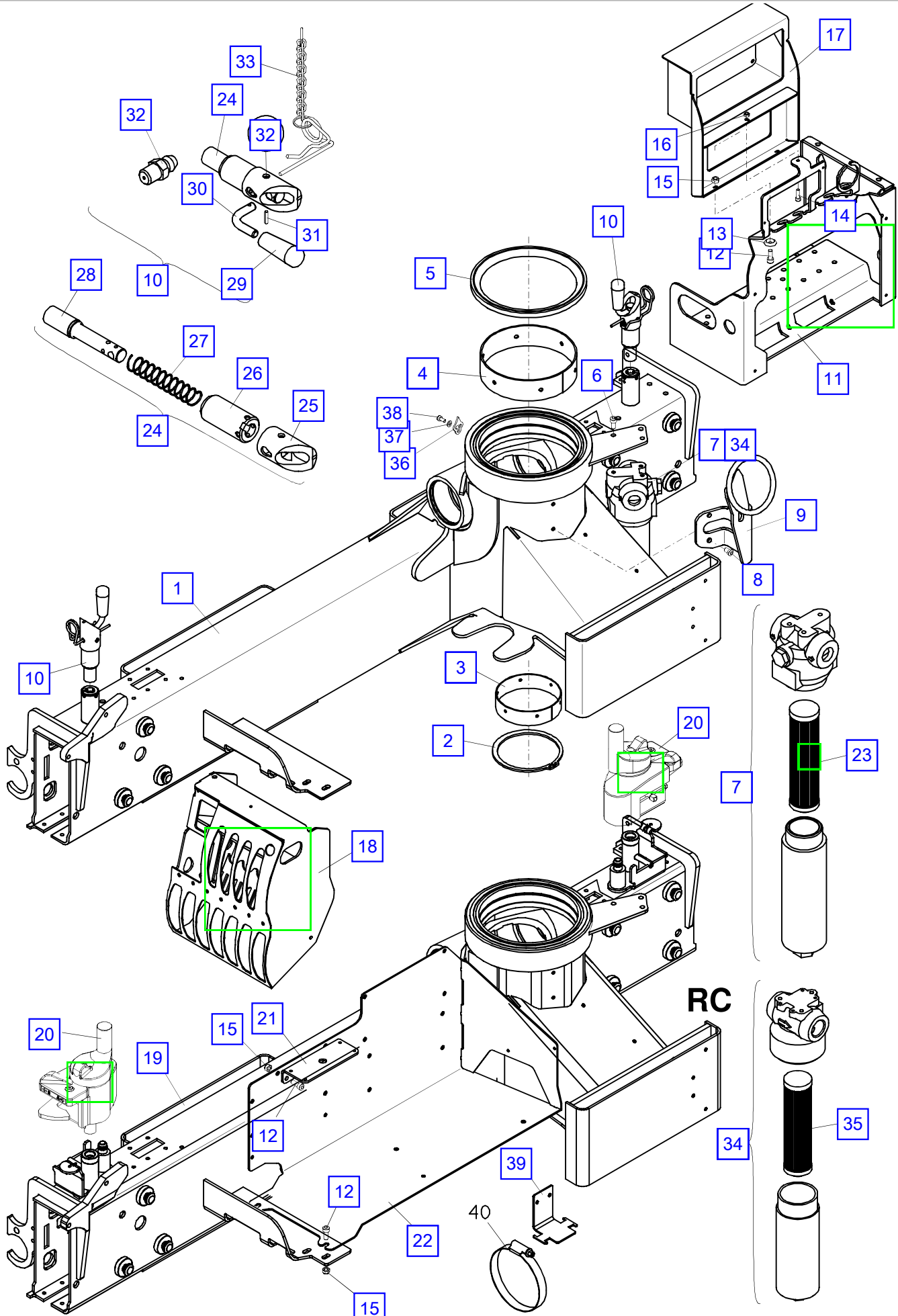
STZ	Stabilizer ram	STZO	Type without support
		STZS3	Stabilizer ram - rigid
		STZY3	Stabilizer ram - slewable
		STZY	Hydraulically tiltable stabilizer cylinder
		STZS3Y	Page-A=(STZS3) B=(STZY3)
		STZYS3	Page-A=(STZY3) B=(STZS3)
SWERK	Slewing system	1GETR	1-Slewing gear
SWK	Max. rope winch capacity:	2GETR	2-Slewing gear
TKKR	Crane tank	1,5 - 4,5	1,5t - 4,5t
TKLO	Auxiliary tank	TL__	Oil tank__l
TOT	Dead center	TOWI	Dead center over balance
		TOQU	Dead center over transverse spar
		SE	continuous
TRANS	Transport position monitoring	TRAN1	Armrest
		TRAN2	Main boom - horizontal level
		DN46	DINOIL DN46
TSCH,TSTB	Control valve	M4-12	REXROTH M4-12
		PVG32	DANFOSS PVG32
		RS210	NORDHYDRAULIK RS210
		RS220	NORDHYDRAULIK RS220
		RSQ240	NORDHYDRAULIK RSQ240
		SDM081	WALVOIL SDM081
		VDM07	SALAMI VDM07
V,PJV	Extension	V1()	1 Extension by (HYA ())
		V1A	1 Extension by (HYA A)
		V1B	1 Extension by (HYA B)
		V1C	1 Extension by (HYA C)
		V1D	1 Extension by (HYA D)
		V1E	1 Extension by (HYA E)
		V1F	1 Extension by (HYA F)
		V1G	1 Extension by (HYA G)
		V1H	1 Extension by (HYA H)
		V2()	2 Extensions by (HYA ())
		V2A	2 Extensions by (HYA A)
		V2B	2 Extensions by (HYA B)
		V2C	2 Extensions by (HYA C)
		V2D	2 Extensions by (HYA D)
		V2E	2 Extensions by (HYA E)
		V2F	2 Extensions by (HYA F)
		V2G	2 Extensions by (HYA G)
		V2H	2 Extensions by (HYA H)
		V3()	3 Extensions by (HYA ())
		V3A	3 Extensions by (HYA A)
		V3B	3 Extensions by (HYA B)
		V3C	3 Extensions by (HYA C)
		V3D	3 Extensions by (HYA D)
		V3E	3 Extensions by (HYA E)
		V3F	3 Extensions by (HYA F)
		V3G	3 Extensions by (HYA G)
		V3H	3 Extensions by (HYA H)
LHV	Load holding valve	LHV14	
		LHV18	
		LHV19	
		LHV28	 Double-acting load holding valve
		LHV34	

Page	
0	PREFACE
0.02	Preface-EN
0.20	Signs and symbols
0.21	Signs and symbols
0.22	Signs and symbols
010	BASE
010.0100	Base
010.0101	Catcher
010.0102	Brackets
010.0200	Slewing system
010.0300	Pipes-Lube system
010.0400	Pipes-Control F
010.0500	Pipes-Control RC
010.0600	Extension box-R1
010.0700	Extension box-R2
010.0800	Pipes-R1,R2
010.0801	Pipes-R1,R2
010.0900	Extension box-R3X
010.1000	Extension cylinder-R3X
010.1100	Pipes-R3X
010.1200	Stabilizer ram-STZS
010.1300	Pipes - support STZS
010.1400	Pipes - support STZS
010.1500	Stabilizer ram-STZY
010.1600	Pipes - support STZY
010.1700	Pipes - support STZY
010.1800	Oil tank, cpl. (50l)
020	CONTROL SYSTEM
020.0100	Control valve-stabil.
020.0101	Control valve-stabil.
020.0200	Control valve-F
020.0300	Control valve-RSQ 240 RC
020.0400	Control valve-RC001
020.0500	Control system
030	OVERLOAD PROTECTION
030.0100	Overload protection-OSK-F
030.0200	Overload protection-OSK-RC
030.0300	Limitation of rotation-SHB
030.0400	Transport position monitoring
030.0500	Stabilizer monitoring
040	CRANE COLUMN
040.0100	Crane column
040.0200	Lifting cylinder

Table of Contents

Page	
040.0300	Pipes-Lifting cylinder
050	MAIN BOOM
050.0100	Main boom
050.0101	Main boom
050.0200	Pipes-Outer boom ram
060	OUTER BOOM
060.0100	Outer boom
070	BOOM EXTENSIONS
070.0100	Boom extension 1
070.0200	Boom extension 2
070.0300	Boom extension 3
070.0400	Boom extensions ram 1-3
070.0401	Boom extensions ram 1-3
070.0500	Pipes-Boom extens.ram
070.0501	Pipes-Boom extens.ram
070.0502	Pipes-Boom extens.ram
070.0600	Hose tray
070.0700	Pipes-Hose guide
080	MAN. BOOM EXTENSIONS
080.0100	Boom extension
100	MISCELLANEOUS
100.0100	Miscellaneous
100.0200	Decals
AB01	Control valve
AB02	Elektroteile
AB03	Remote control P2
AB04	Remote control BMS-2

this page is intentionally left blank

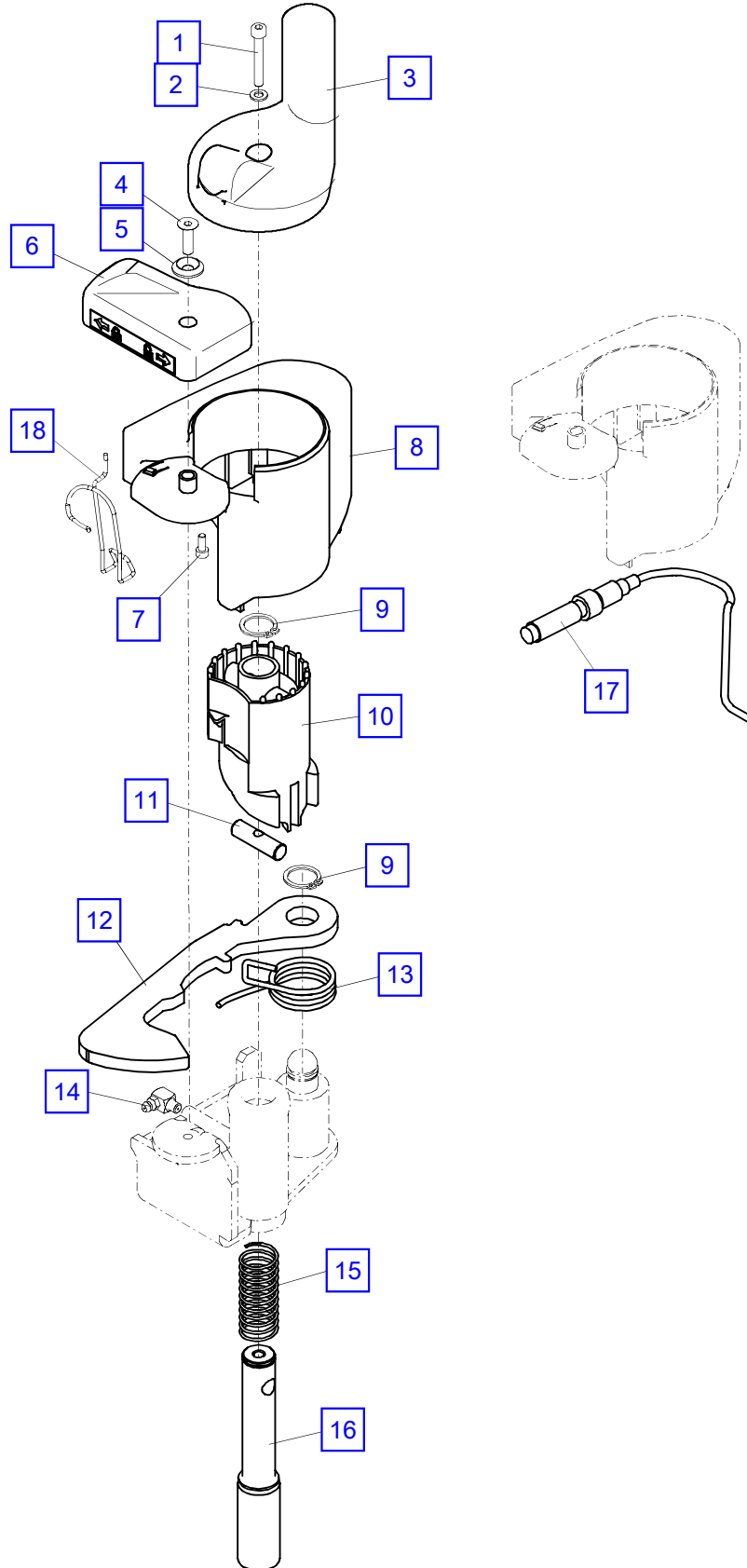


No.	Spare part	Qty.	Description	Dimension
1	S104G01-A	1	Base	
2	EQ 147	1	Circlip	D 130 DIN 471
3	HT6313	1	Bearing	3,0 mm
3	HT6746	1	Bearing	3,1 mm
3	HT6747	1	Bearing	3,2 mm
3	HT6748	1	Bearing	3,3 mm
4	HT6312	1	Bearing	3,0 mm
4	HT6755	1	Bearing	3,1 mm
4	HT6756	1	Bearing	3,2 mm
4	HT6757	1	Bearing	3,3 mm
5	HBK 109	1	Bearing ring	D0229.0 d0190.5
6	ES 264	3	Screw	M 8x16 ISO4762- 8.8
7	EA1391A	1	High pressure filter	
	-->100156350			
	EA1392	1	Filter element	
	TD1553	1	Seal kit	
	EA4922		High pressure filter	
	100156351-->			
	EA4923	0	Filter element	
	TD1553	0	Seal kit	
	EA4923		Filter element	
8	ES1082	2	Screw	M 8x12 DIN 7984 8.8
9	HXE1863	1	Bracket	
10	HXV 407	2	Lever cpl. (R1,R2)	
11	HXE2213	1	Bracket	
12	ES 265	6	Screw	M 8x20 ISO4762- 8.8
13	EK 568	2	Washer	D 8
14	ES 019	1	Screw	M 6x20 ISO4762-10.9
15	EM 026	6	Nut	DIN 985 M8
16	EM 014	1	Nut	DIN 985-8 M 6
17	HXE1900	1	Bracket	PALTRONIC
18	HXE1794	1	Bracket	
19	S104G02SA+00001	1	Base	
20	KMG00...A	2	Latch housing, cpl.	
21	HA5934	1	Bracket	RC400
22	HXE1894	1	Bracket	RC
22	HXE1894A	1	Bracket (RC400-P2,BMS-2)	
23	EA1392	1	Filter element	
	BZ204S		Filter element, cpl. (page 100.0100)	
24	HXV 398	1	Latch housing, cpl.	
25	HX 463	1	Bushing	
26	HBA 096	1	Bushing	
27	EF 081	1	Pressure spring	D 20,5x1,5x115
28	HI 916	1	Pin	
29	EZ 253	1	Handle	
30	HA2210	1	Pin	
31	EQ 299	1	Adapter sleeve	D 4x18 DIN 1481
32	EA 412	1	Grease nipple	M 6x1 H1 71412
33	HXS 021	1	Safety chain	

Base

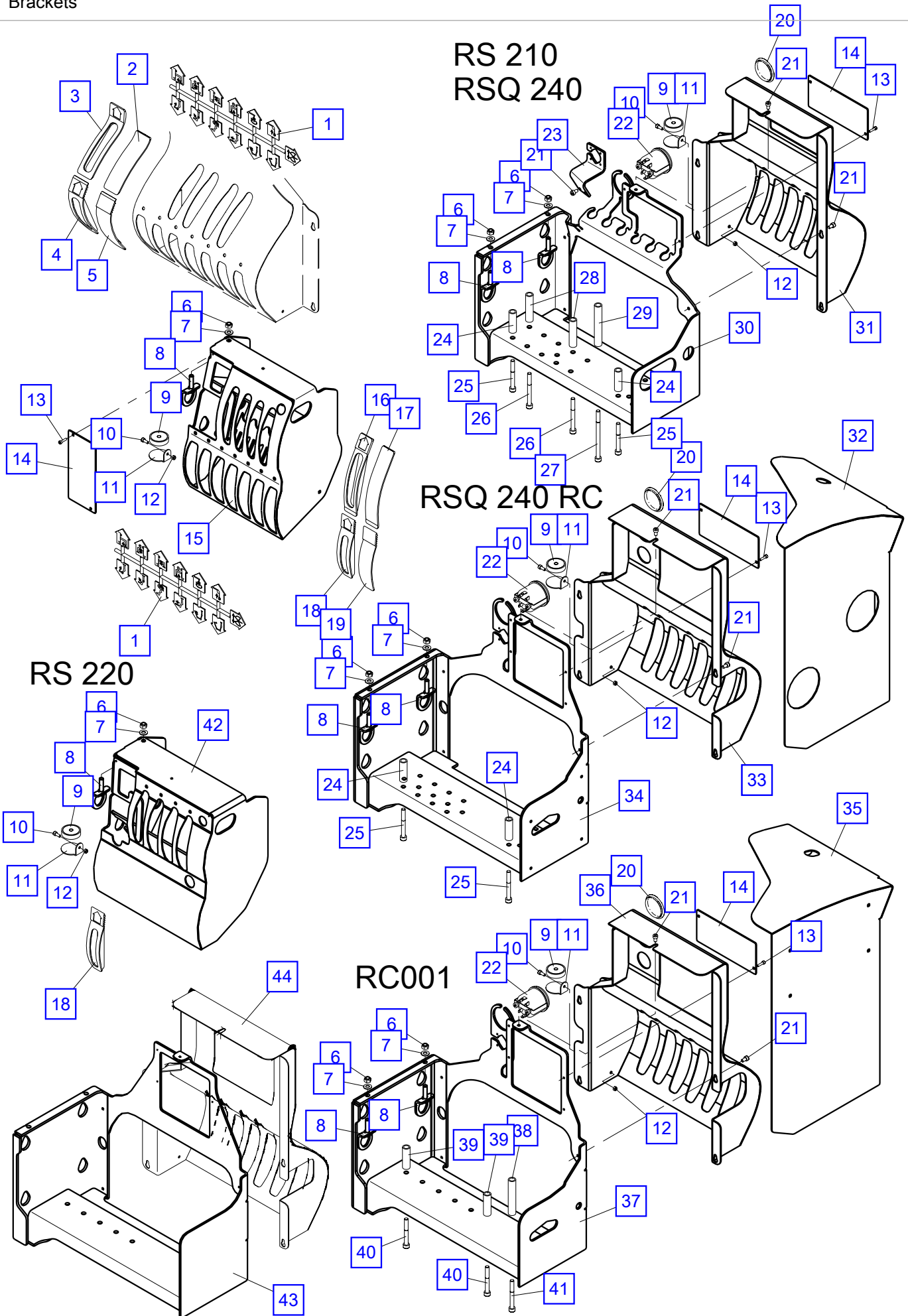
No.	Spare part	Qty.	Description	Dimension
34	EA2168 -->100156573	1	High pressure filter	
34	EA2169	1	Filter element	
34	TD1553	1	Seal kit	
	EA4924 100156574-->		High pressure filter	
	EA4925	0	Filter element	
	TD1553	0	Seal kit	
	EA4925		Filter element	
35	EA2169	1	Filter element	
36	HT7778	1	Folding arrow	
37	EK 190	1	Washer	d=6.4 ISO7089
38	ES1150	1	Screw	M 6x12 ISO4762- 8.8
39	HA7841	1	Bearer	
40	EQ 007	2	Hose clamp	D 110-130

this page is intentionally left blank

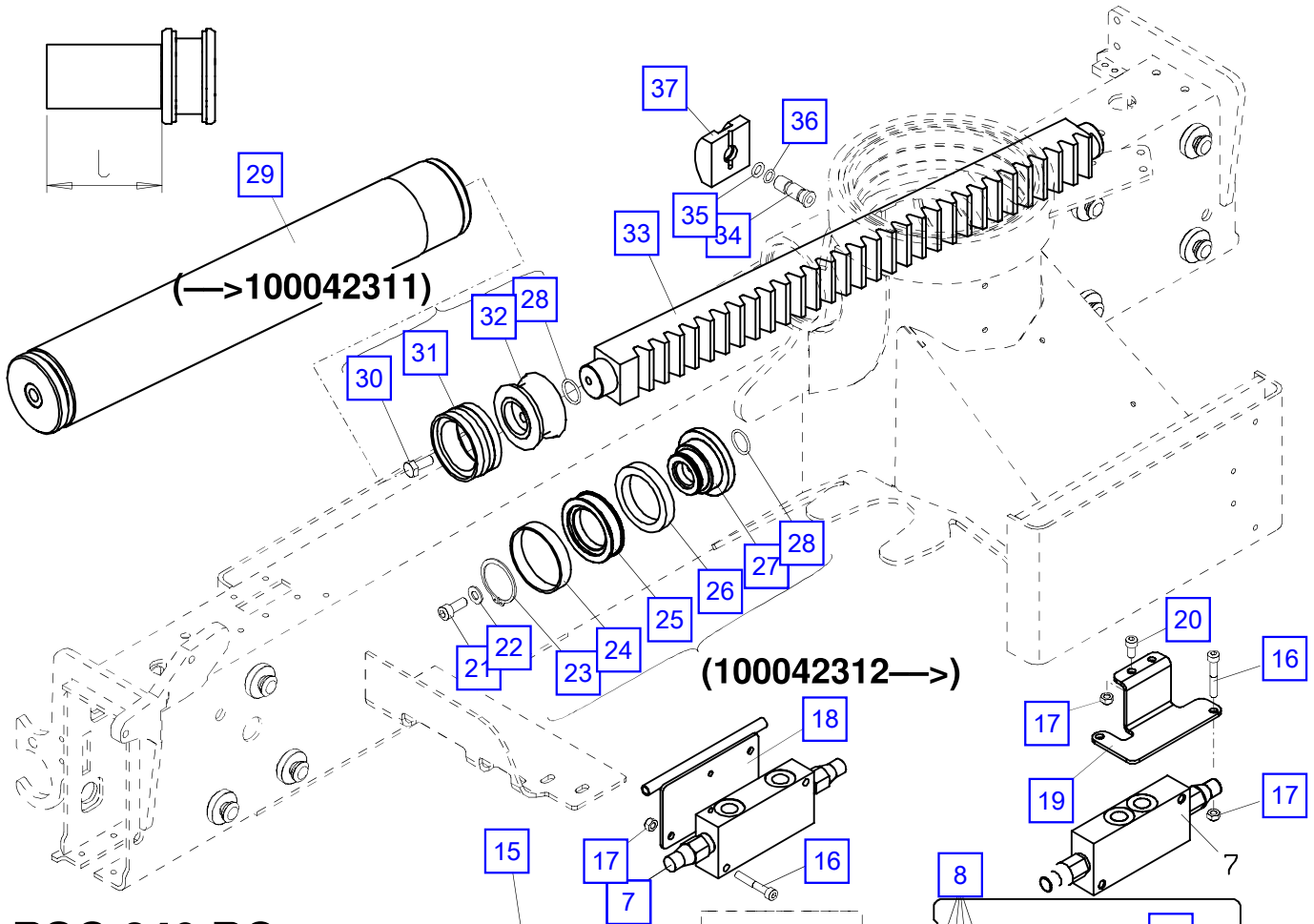


No.	Spare part	Qty.	Description	Dimension
1	ES 291	1	Screw	M 5x35 ISO4762- 8.8
2	EK 153	1	Washer	D 5.3 ISO7089
3	EK1072	1	Handle	
4	ES1329	1	Screw	M 6x20 ISO14581- 8.8
5	EK 567	1	Washer	D 6
6	EK1071	1	Cover	
7	ES 451	1	Screw	3.9x9.5 DIN 968
8	EK1073	1	Cover	
9	EQ 352	2	Circlip	D 18 DIN 471
10	EK1033	1	Bracket	
11	HI7209	1	Pin	
12	HT6976	1	Safety plate	
13	EF 168	1	Spring	
14	EA1240	1	Grease nipple	M 6x1 H3 71412
15	EF 081	1	Pressure spring	D 20,5x1,5x115
16	HI3064	1	Pin	
17	EEA4020	1	Sensor Closer	M 12x1 - M 12x1
18	EF 199	1	Spring	

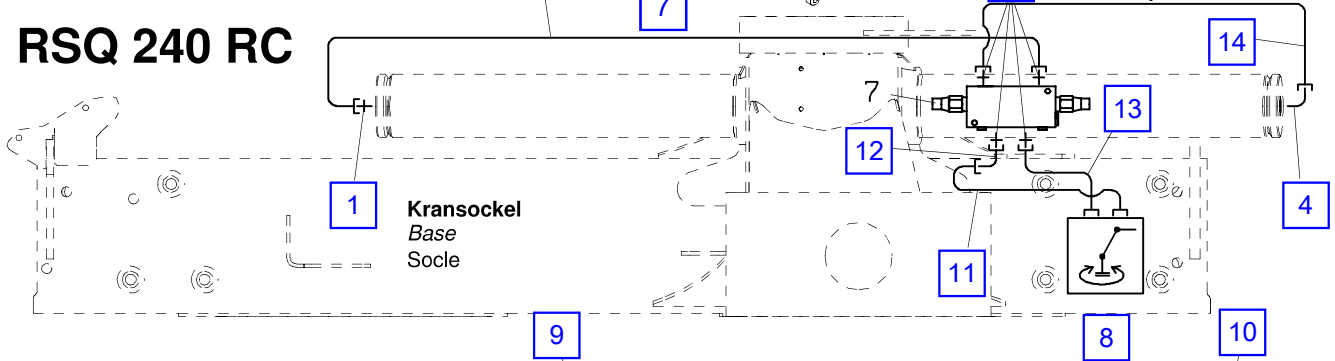
Brackets



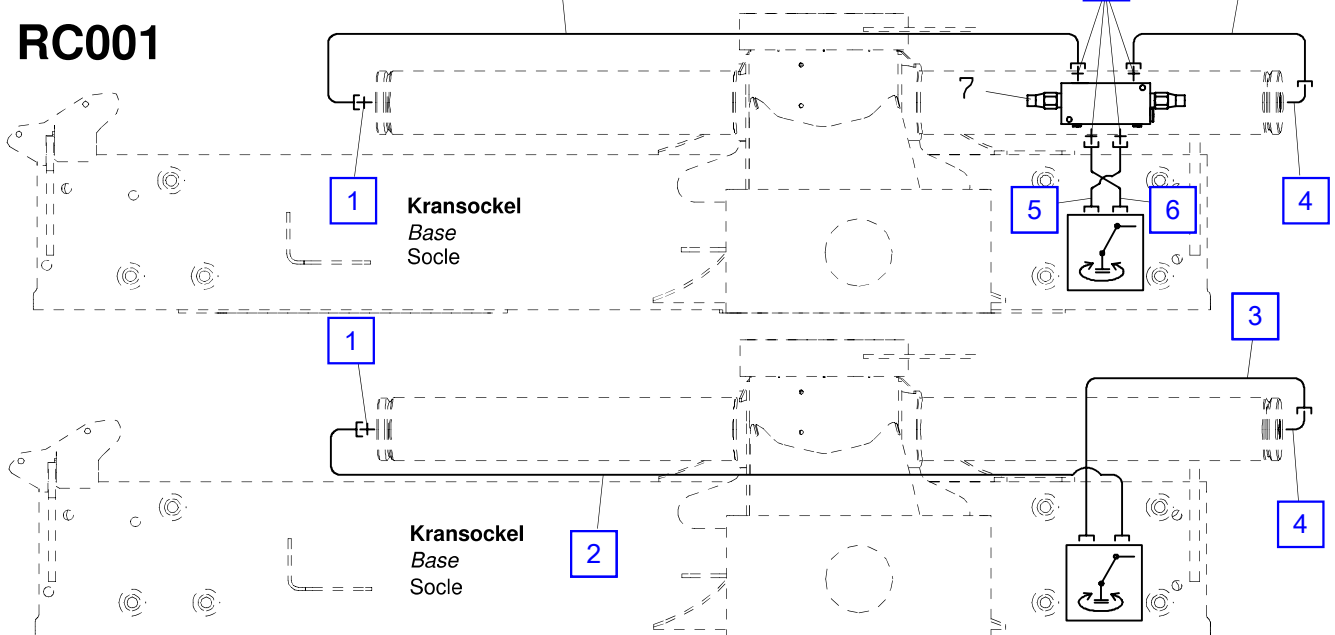
No.	Spare part	Qty.	Description	Dimension
1	EK 898		Control decal	
2	EK 894		Cover	
3	EK 893		Frame	
4	EK 889		Frame	
5	EK 890		Cover	
6	EM 026		Nut	DIN 985 M8
7	EK 003		Washer	D 8.4 ISO7089
8	HXE1684		Bearer	
9	EK 756		Inclinometer	
10	ES 061		Screw	M 5x12 ISO4762- 8.8
11	HA3962		Bearer	
12	EM 040		Nut	M 5 DIN 985
13	ES 393		Screw	M 4x10 DIN 84
14	HT6718		Cover plate	L0175.1xB0080.0xS002
15	HXE1794	1	Bracket	
16	EK 895		Frame	
17	EK 896		Cover	
18	EK 891		Frame	
19	EK 892		Cover	
20	EK1031		Cover	
21	ES 414		Screw	M 6x10 ISO4762- 8.8
22	EEA3427		Hour meter	
23	HA7465	1	Bearer	
24	HBS1819		Spacer	l=50 mm
25	ES1157		Screw	M 8x70 DIN 912
26	ES1159		Screw	M 8x80 ISO4762- 8.8
27	ES1165	1	Screw	M 8x120 DIN 912
28	HBS2786	2	Spacer	l=66 mm
29	HBS2783	1	Spacer	l=101 mm
30	HXE2213	1	Bracket	
31	HXE2212	1	Bracket	
32	HXE2044	1	Cover	
33	HXE2675	1	Valve bracket	
33	HXE 223	1	Valve bracket	
34	HXE2676	1	Valve bracket	
35	HXE2045	1	Cover	
36	HXE2210	1	Bracket	RC001
37	HXE2211	1	Bracket	RC001
38	HBS2887	1	Spacer	L=87 mm
39	HBS2886		Spacer	L=52 mm
40	ES1155		Screw	M 8x65 ISO4762- 8.8
41	ES1161	1	Screw	M 8x100 ISO4762- 8.8
42	HXE 218	1	Bracket	
43	HXE1821	1	Bracket	RC001
44	HXE1822	1	Bracket	RC001



RSQ 240 RC



RC001

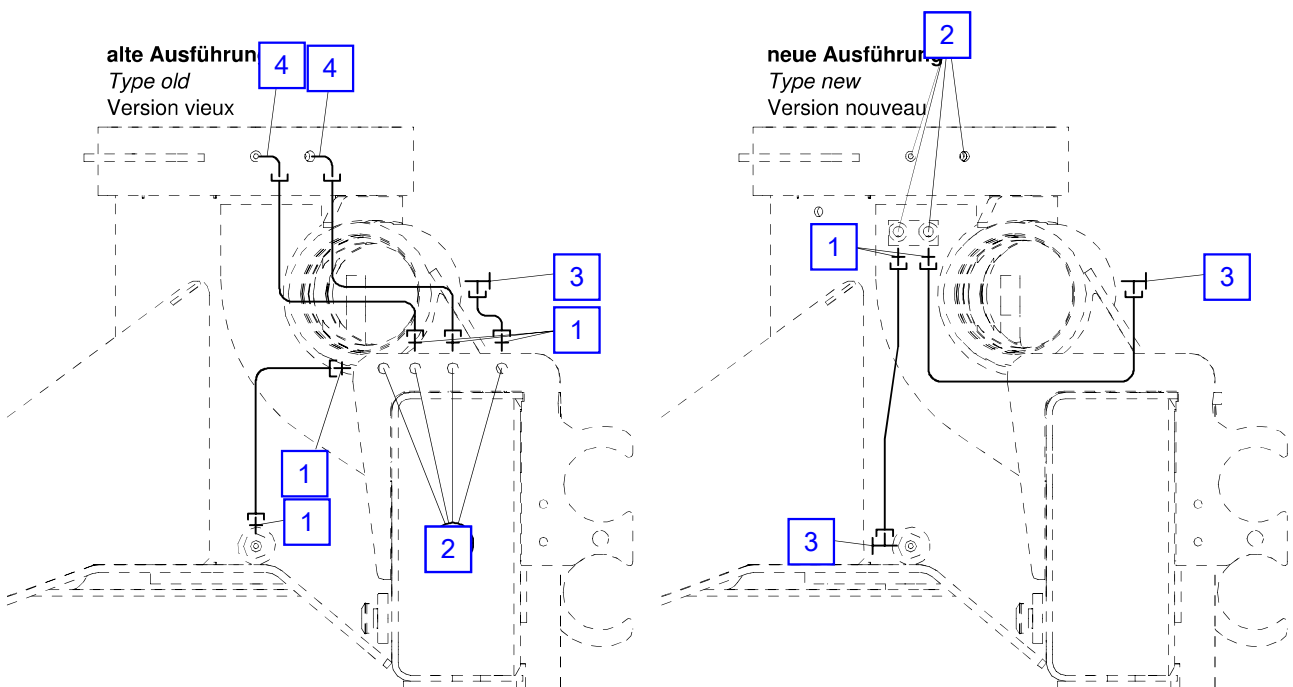
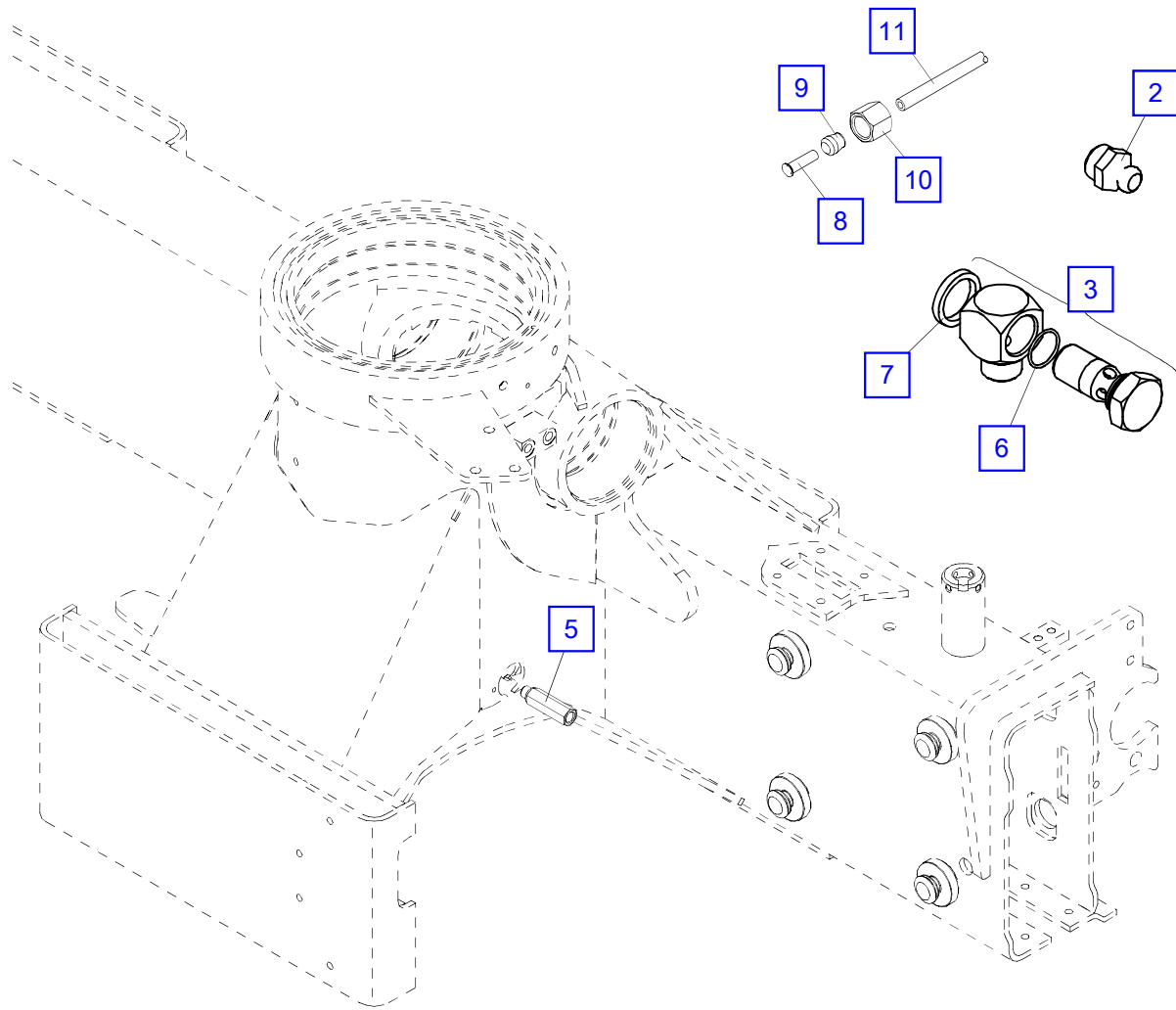


No.	Spare part	Qty.	Description	Dimension
1	EA 039	1	Fitting	GE 12S R3/8"-ED
2	HLR 8955	1	Pipe (F)	D 12
2	HLR12402	1	Pipe (RSQ 240 RC)	D 12
2	HLR 9047	1	Pipe (RC001)	D 12
3	HLR 8954	1	Pipe (F)	D 12
3	HLR12403	1	Pipe (RSQ 240 RC)	D 12
3	HLR 9048	1	Pipe (RC001)	D 12
4	EA1749	1	Adaptor	WEE 12S 3/8"
5	HLR 9041	1	Pipe (F)	D 12
5	HLR 9049	1	Pipe (RC001)	D 12
6	HLR 9042	1	Pipe (F)	D 12
6	HLR 9050	1	Pipe (RC001)	D 12
7	EV5037-210	1	Load holding valve	210 bar
	-->100061556			
	TD1001	1	Seal kit	
7	EV8883-210	1	Load holding valve	210 bar
	100061557-->			
	TD1600	1	Seal kit	
	TD1600		Seal kit (for EV5037A-210)	
8	EA 183	4	Fitting	GE 12S R1/2"-ED
9	HLR 9044	1	Pipe	D 12
10	HLR 9043	1	Pipe	D 12
11	HLR 3657	1	Pipe	D 12
12	EA 280	1	Angle fitting	EW 12 S
13	HLR 3658	1	Pipe	D 12
14	HLR 3656	1	Pipe	D 12
15	HLR 3655	1	Pipe	D 12
16	ES 432	2	Screw	M 8x50 ISO4762- 8.8
17	EM 026	4	Nut	DIN 985 M8
18	HXE 509	1	Bracket	
19	HA8957	1	Bearer	
20	ES 264	2	Screw	M 8x16 ISO4762- 8.8
21	ES1515	2	Screw	M10x1x25 DIN912
22	EK1108	2	Washer	D 10,5 DIN 140
23	EQ 086	2	Circlip	D 50 DIN 471
24	ED1235	2	Guide ring	80x75x14,8
25	HK 667	2	Piston	D080xL019.2
26	ED1234	2	Seal ring	80x60x12,5
27	HK 666	2	Slew limitation	
27	HK 668	2	Slew limitation (190 degree)	l=141 mm
27	HK 669	2	Slew limitation (250 degree)	l=101 mm

Slewing system

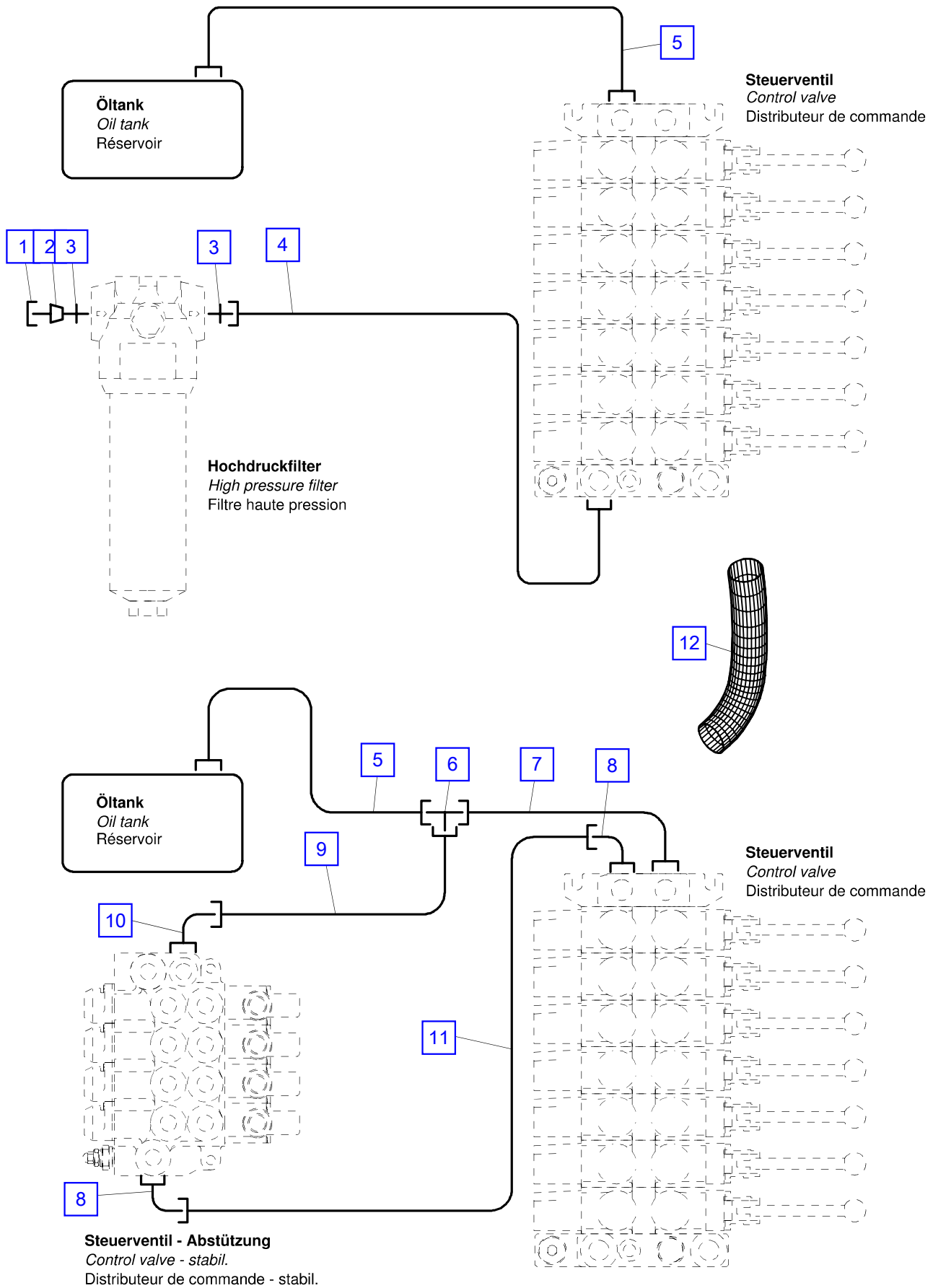
No.	Spare part	Qty.	Description	Dimension
27	HK 704	2	Slew limitation (150 degree)	l=168 mm
27	HK 705	2	Slew limitation (170 degree)	l=154,5 mm
28	EO 035	2	O-ring	D 24,2x3
29	EO1264	2	O-ring	D 88x3
29	HY1410AK	2	Cylinder tube	
30	ES1444	2	Screw	M10x1x25 DIN 961
31	ED 081	2	Piston seal	D 80
32	HK 148	2	Piston	
32	HXE1613	2	Slew limitation (250 degree)	l=99 mm
32	SK432-1	2	Slew limitation (190 degree)	l=138 mm
32	HXE 458	2	Slew limitation (170 degree)	l=152.5 mm
32	S081-400	2	Slew limitation (150 degree)	l=167 mm
33	HZS 091	1	Rack	
34	HIG 228	1	Grease tube	D016.0xL0055.0
35	EO 130	1	O-ring	D 11x3,5
36	EO 027	1	O-ring	D 11,3x2,4
37	HF 913	1	Guide block	

this page is intentionally left blank

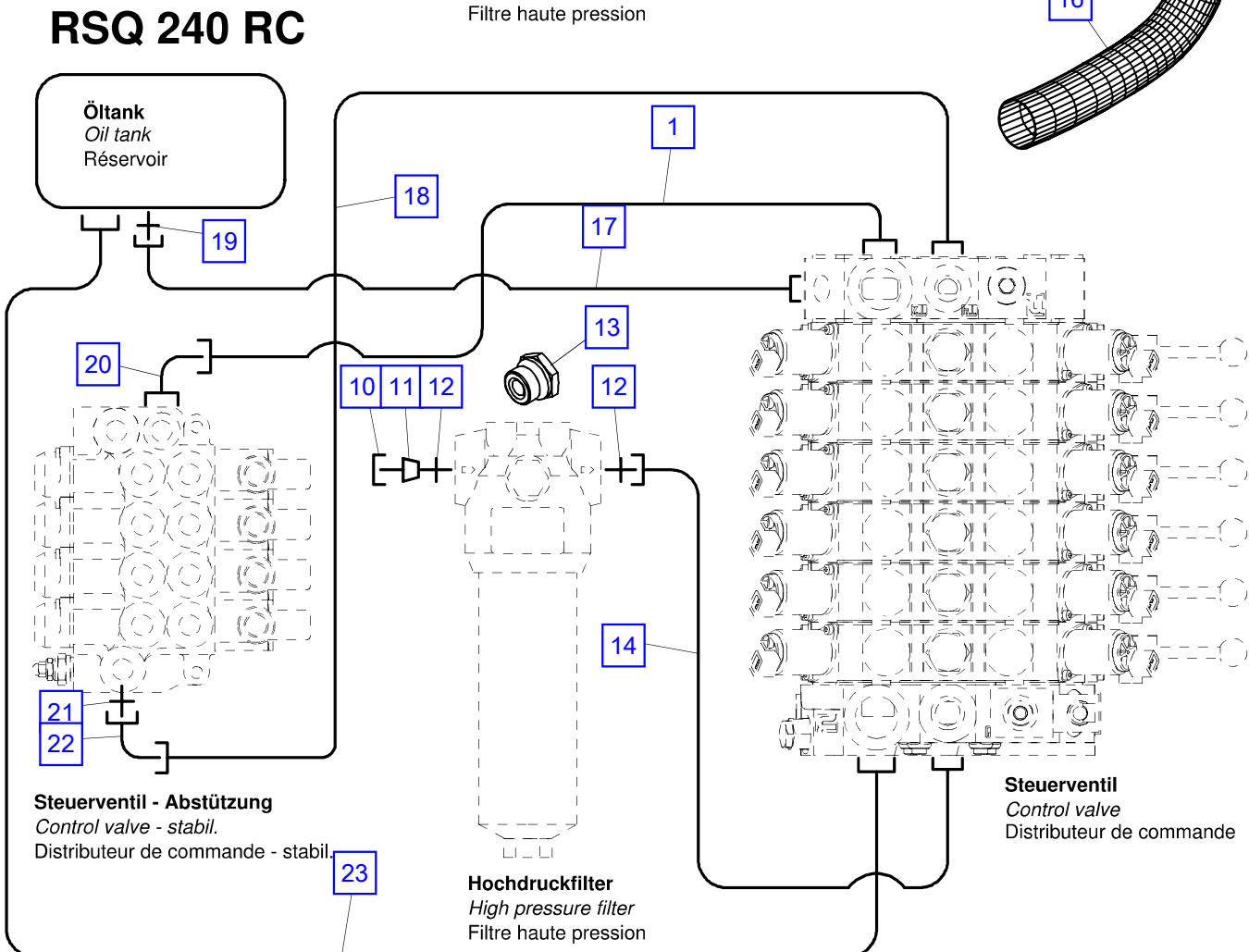
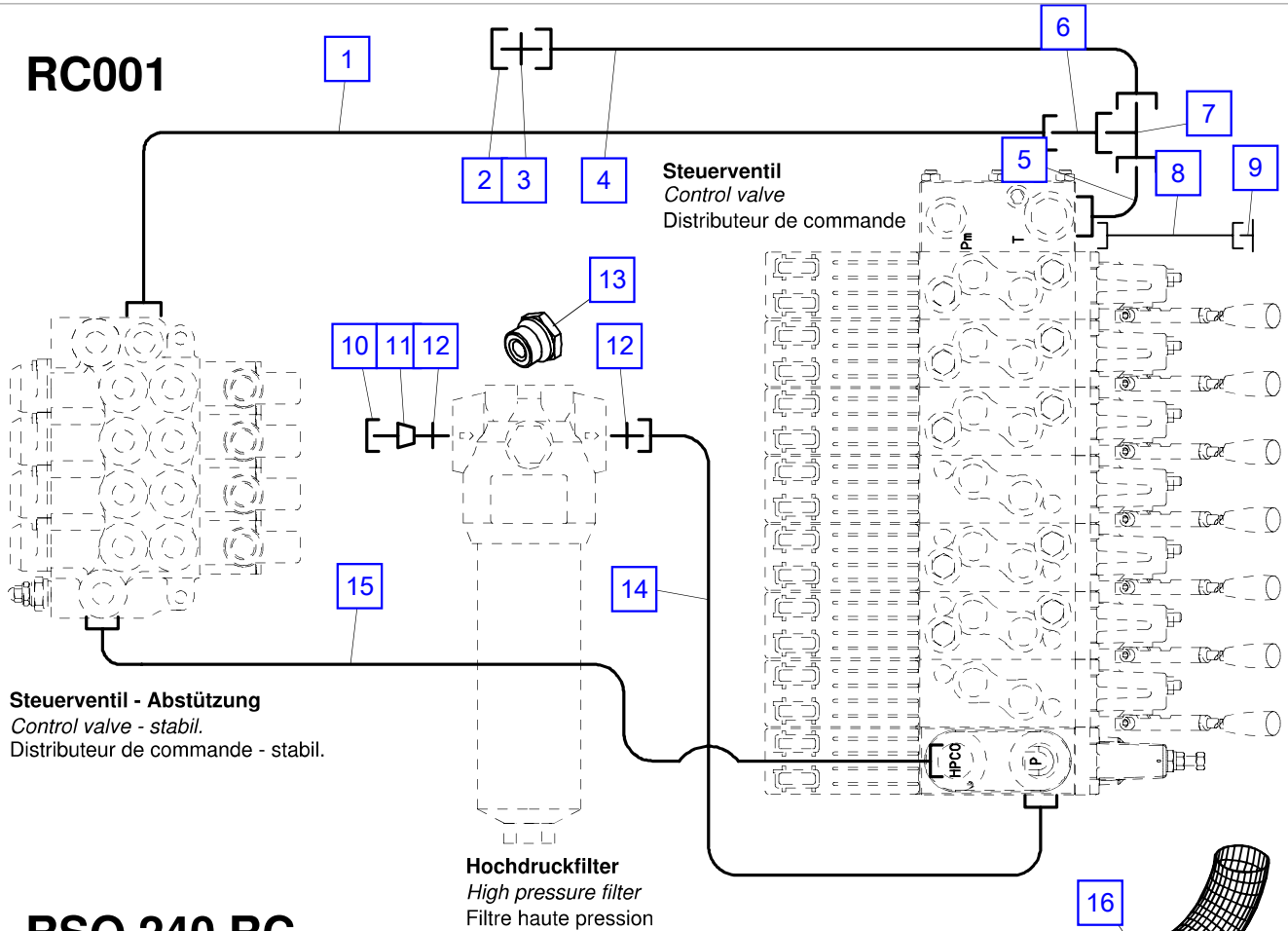


No.	Spare part	Qty.	Description	Dimension
1	EA 002	5	Fitting	GE 6L M10x1-ED
2	EA 005	4	Grease nipple	M10x1 DIN71412
2	EA 558	4	Grease nipple (Standing platform)	M 10x1 DIN71412
3	EA 001	2	Adaptor	WH 06L M 10x1
4	EA 623	2	Fitting	WE 06-LM
5	HLA1098	1	Fitting	
6	EO 547	1	O-ring	D 9,3x1,5
7	ED 391	1	Sealing ring	KD M10
8	EA1079	8	Bushing	E 6/3
9	EA 265	8	Cutting ring	D 6 S
10	EA 641	8	Nut	M 6 L
11	EH1434		Grease hose (sold by the meter)	

F

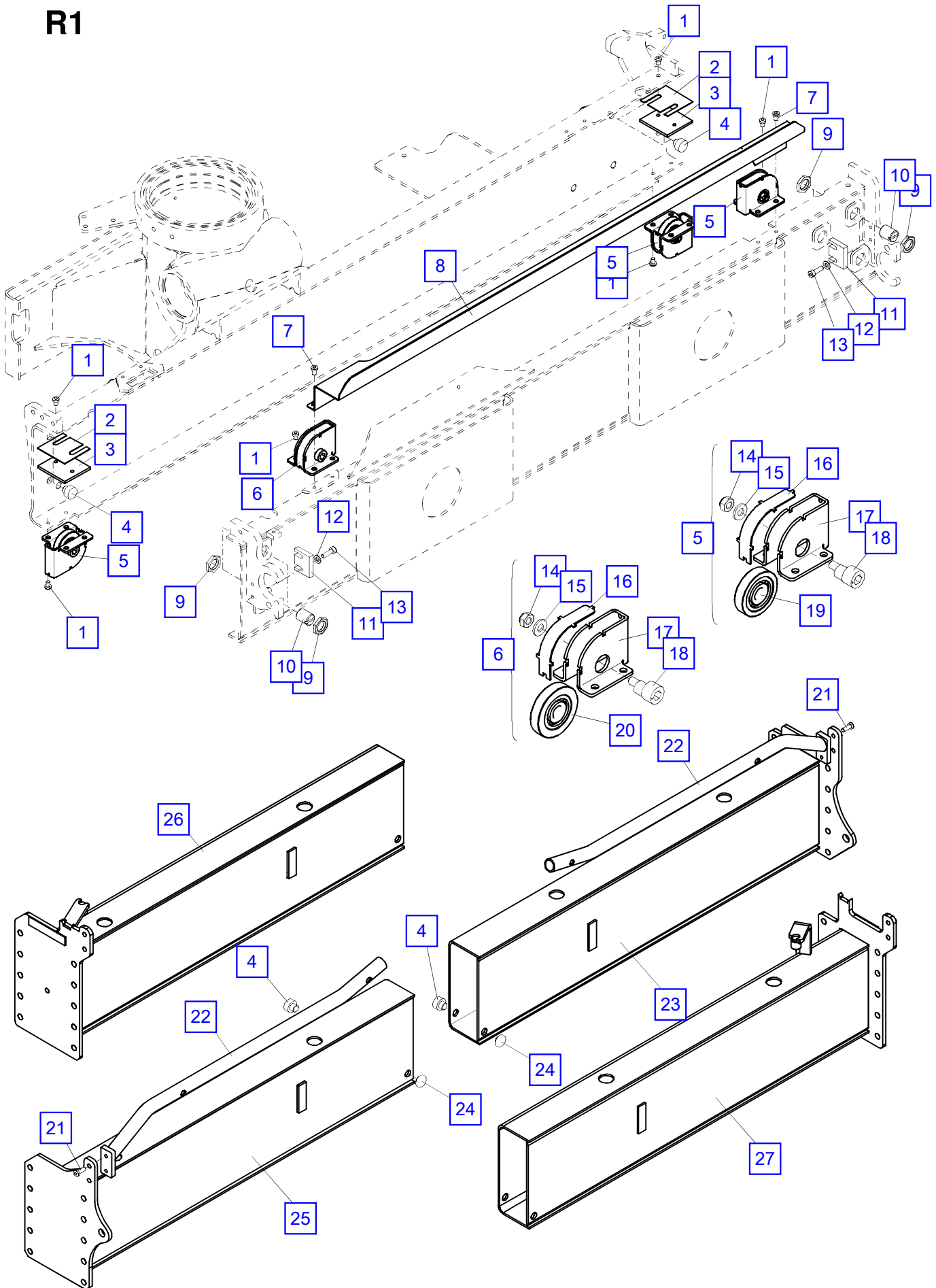


No.	Spare part	Qty.	Description	Dimension
1	EA 045	1	Nut	M 16-S - M 24x1,5
2	EA 343	1	Blind plug	BUZ 16 S
3	EA 033	2	Fitting	GE 16 SR 3/4"ED
4	EH 608	1	Hose	NW 12x670
5	EH 900	1	Hose	NW 16x1000
6	EA 252	1	Fitting	T 18-L
7	HLR 9052	1	Pipe	D 18
8	EA 019	2	Angle fitting	EW 16S
9	HLR 8957	1	Pipe	D 18
10	EA 237	1	Angle fitting	EW 18 L
11	HLR 8956	1	Pipe	D 16
12	EH6174	1	Protection hose (F)	D 50x600



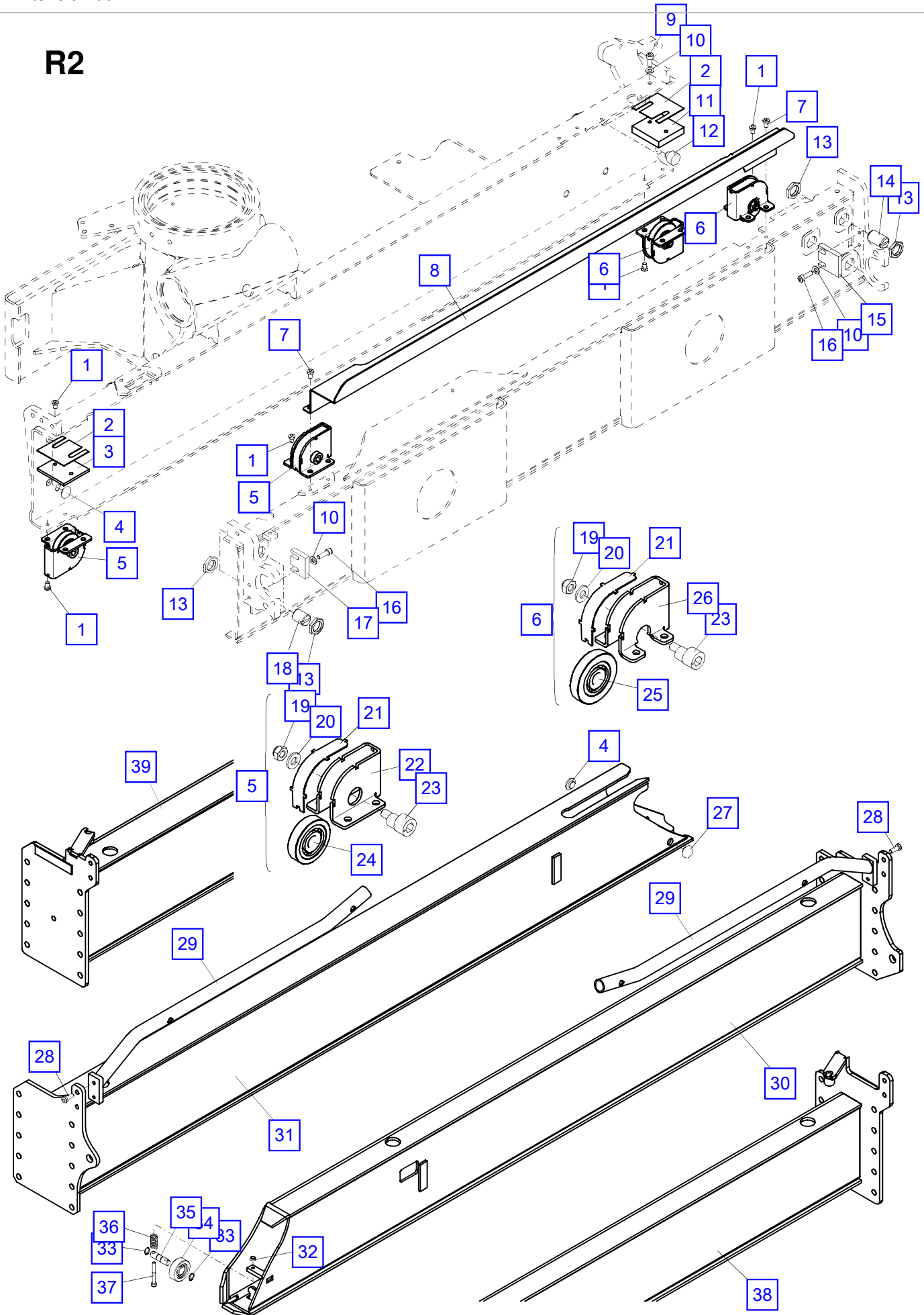
No.	Spare part	Qty.	Description	Dimension
1	EH4951	1	Hose	NW 16x1800
2	HLA 461	1	Plug	VM 22-L
3	EA 323	1	Fitting	GE 22-L
4	EH5258	1	Hose	NW 20x1000
5	EA 329	1	Angle fitting	evW 22 L
6	EA 577	1	Reduction	KOR 22-18 L
7	EA 327	1	L-Coupling	evL 22 L
8	EH1583	1	Hose	NW 6x1500
9	EA1462	1	Blanking part	ROV-8S
10	EA 045	1	Nut	M 16-S - M 24x1,5
11	EA 343	1	Blind plug	BUZ 16 S
12	EA 033	2	Fitting	GE 16 SR 3/4"ED
13	EA 226	2	Reduction (for EA2168)	RI 1"-3/4"
14	EH 608	1	Hose	NW 12x670
15	EH1225	1	Hose	NW 12x1470
16	EH 616	1	Protection hose	NW 50x1000
17	EH4891	1	Hose	NW 6x1550
18	EH5039	1	Hose	NW 10x1470
19	EA 190	1	Fitting	GE 10L R3/8"-ED
20	EA 237	1	Angle fitting	EW 18 L
21	EA 039	1	Fitting	GE 12S R3/8"-ED
22	EA 280	1	Angle fitting	EW 12 S
23	EH 900	1	Hose	NW 16x1000

R1



No.	Spare part	Qty.	Description	Dimension
1	ES1089	16	Screw	M 8x10 DIN 7984 8.8
2	HTR1529	2	Shim plate	1 mm
3	HTR1427	2	Shim plate	5 mm
4	HF 008	7	Guide	11 mm
5	HXE1716	3	Tread roller, cpl.	
6	HXE1718	1	Tread roller, cpl.	
7	ES1082	4	Screw	M 8x12 DIN 7984 8.8
8	HA6373	1	Hose tray	
9	EM 540	8	Nut	M 24x1.5 DIN 80705
10	HIG 653	4	Guide	l=28 mm
11	HTR3550	2	Guide piece	10 mm
12	EK 340	4	Washer	D 8 ISO7089-A2-HV140
13	ES 006	4	Screw	M 8x25 ISO4762-10.9
14	EM 021	2	Nut	DIN 985 M10 CL8 ZB
15	EK 202	2	Washer	D 10,5 DIN 134
16	HA6238	2	Cover plate	
17	HA6237	2	Bearer	
18	HR 226	2	Eccentric bolt	
19	ELW 268	1	Tread roller	D=62 mm
20	ELW 269	1	Ball bearing	D=70 mm
21	ES 308	4	Screw	M 8x20 DIN7984- 8.8
22	HXE1764	2	Stirrup	
23	S104A11-A	1	Outrigger-R1	
24	HF 007	2	Guide	5 mm
25	S104A10-A	1	Outrigger-R1	
26	S104A10-B	1	Outrigger-R1	
27	S104A11-B	1	Outrigger-R1	

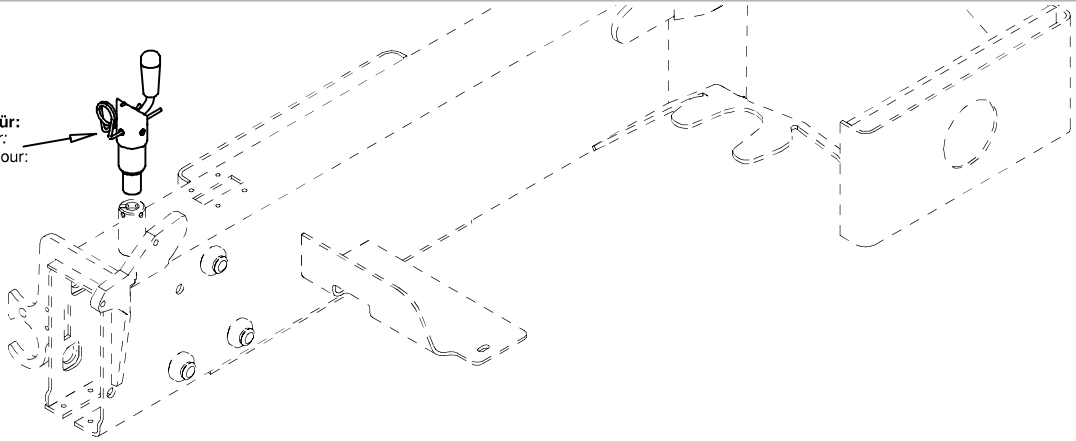
R2



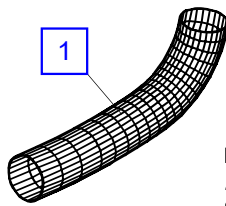
No.	Spare part	Qty.	Description	Dimension
1	ES1089	14	Screw	M 8x10 DIN 7984 8.8
2	HTR1529		Shim plate	1 mm
3	HTR1427	1	Shim plate	5 mm
4	HF 050	3	Guide	3 mm
5	HXE1716	2	Tread roller, cpl.	
6	HXE1717	2	Tread roller, cpl.	
7	ES1082	4	Screw	M 8x12 DIN 7984 8.8
8	HA6373	1	Hose tray	
9	ES 265	2	Screw	M 8x20 ISO4762- 8.8
10	EK 340	6	Washer	D 8 ISO7089-A2-HV140
11	HTR3595	1	Shim plate	15 mm
12	HF 008	3	Guide	11 mm
12	HF 281	3	Guide	13.5 mm
13	EM 540	10	Nut	M 24x1.5 DIN 80705
14	HIG 428	3	Guide	l=40 mm
15	HTR3551	1	Guide piece	10 mm
16	ES 006	4	Screw	M 8x25 ISO4762-10.9
17	HTR3550	1	Guide piece	10 mm
18	HIG 653	2	Guide	l=28 mm
19	EM 021	2	Nut	DIN 985 M10 CL8 ZB
20	EK 202	2	Washer	D 10,5 DIN 134
21	HA6238	2	Cover plate	
22	HA6237	1	Bearer	
23	HR 226	2	Eccentric bolt	
24	ELW 268	1	Tread roller	D=62 mm
25	ELW 269	1	Ball bearing	D=70 mm
26	HA6236	1	Bearer	
27	HF 795	1	Guide	6 mm
28	ES 308	4	Screw	M 8x20 DIN7984- 8.8
29	HXE1764	2	Stirrup	
30	S104A21-A	1	Outrigger-R2	
31	S104A20-A	1	Outrigger-R2	
32	EM 014	2	Nut	DIN 985-8 M 6
33	EQ 043	2	Circlip	D 12 DIN 471
34	HR 124	1	Tread roller	D 47 mm
35	HI 521	1	Pin	
36	EF 024	2	Pressure spring	
37	ES 100	2	Screw	M 6x60 DIN 6912
38	S104A21-B	1	Outrigger-R2	
39	S104A20-B	1	Outrigger-R2	



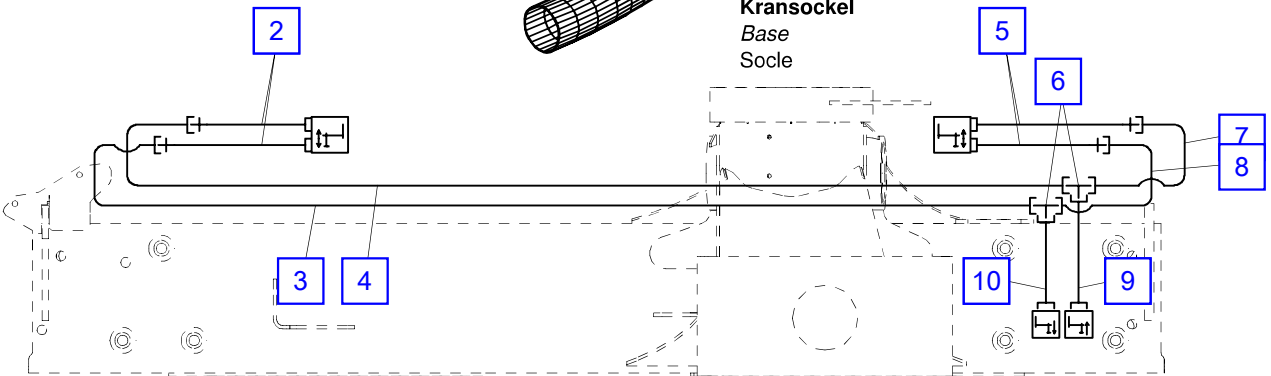
gültig für:
valid for:
valide pour:



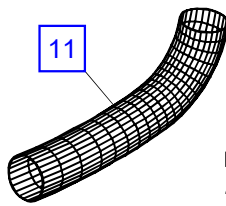
R1,R2



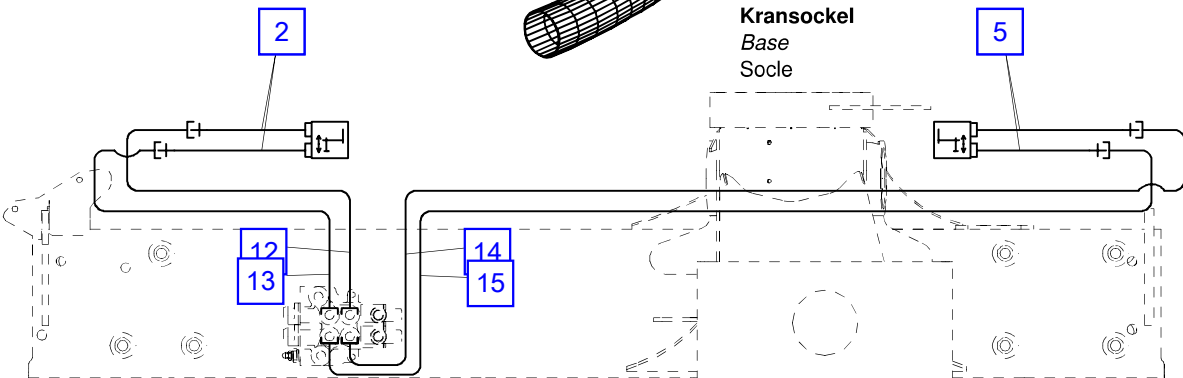
Kransockel
Base
Socle



R1,R2



Kransockel
Base
Socle

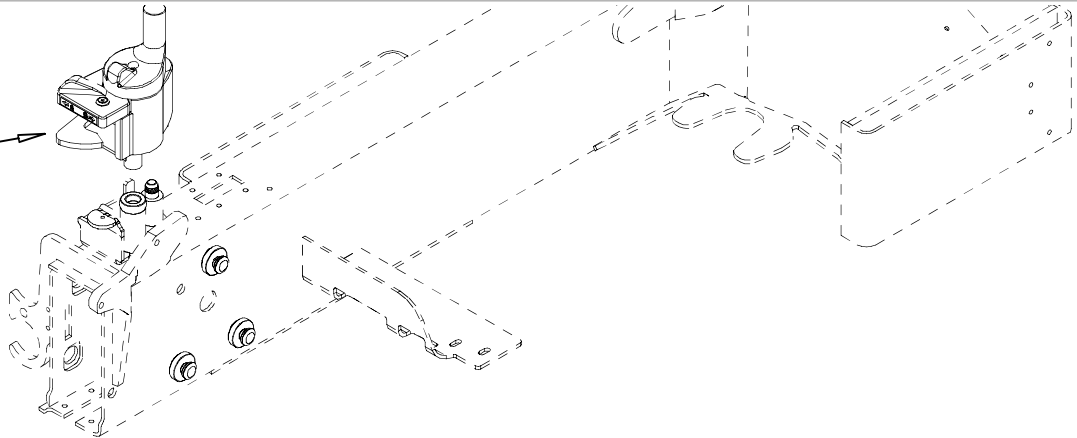


Steuerventil - Abstützung
Control valve - stabil.
Distributeur de commande - stabil.

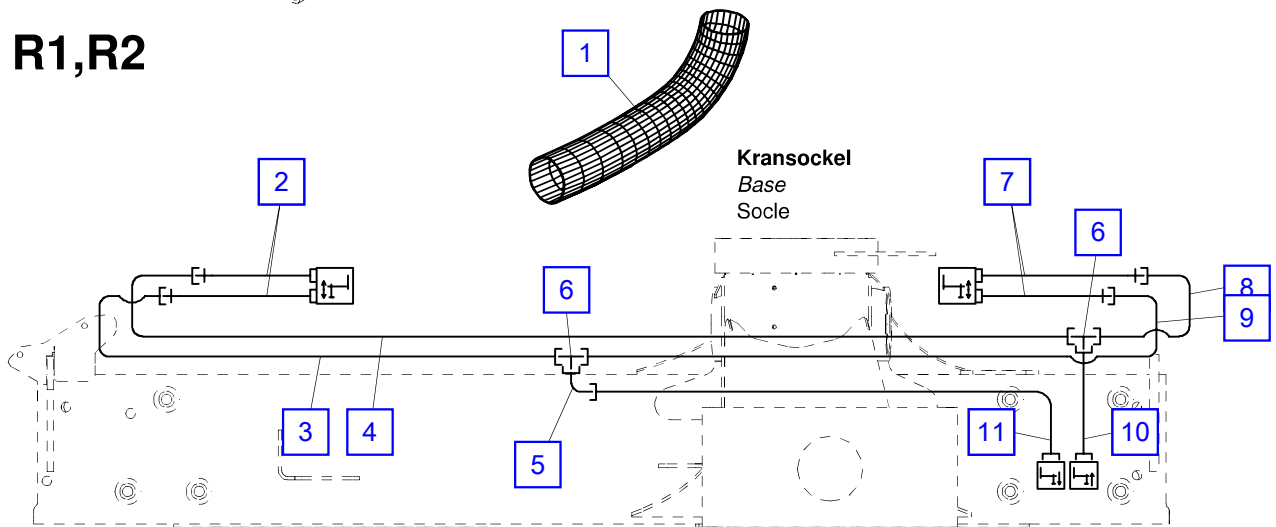
No.	Spare part	Qty.	Description	Dimension
1	EH1943	2	Protection hose	NW 50x1750
2	EH1114	2	Hose (STZY) (STZY)	NW 8x2300
2	EH3177	2	Hose (STZS)	NW 8x1670
3	HLR 9017	1	Pipe	D 12
4	HLR 9016	1	Pipe	D 12
5	EH1114	2	Hose	NW 8x2300
5	EH4948	2	Hose (STZS)	NW 8x1800
6	EA 195	2	Fitting	T 12-S
7	HLR 8951	1	Pipe	D 12
8	HLR 9038	1	Pipe	D 12
9	HLR 9014	1	Pipe (7-sections)	D 12
9	HLR 9039	1	Pipe (5-sections)	D 12
10	HLR 9015	1	Pipe (7-sections)	D 12
10	HLR 9040	1	Pipe (5-sections)	D 12
11	EH1943	2	Protection hose	NW 50x1750
12	HLR 8950	1	Pipe	D 12
13	HLR 8952	1	Pipe	D 12
14	HLR 8949	1	Pipe	D 12
15	HLR 8953	1	Pipe	D 12



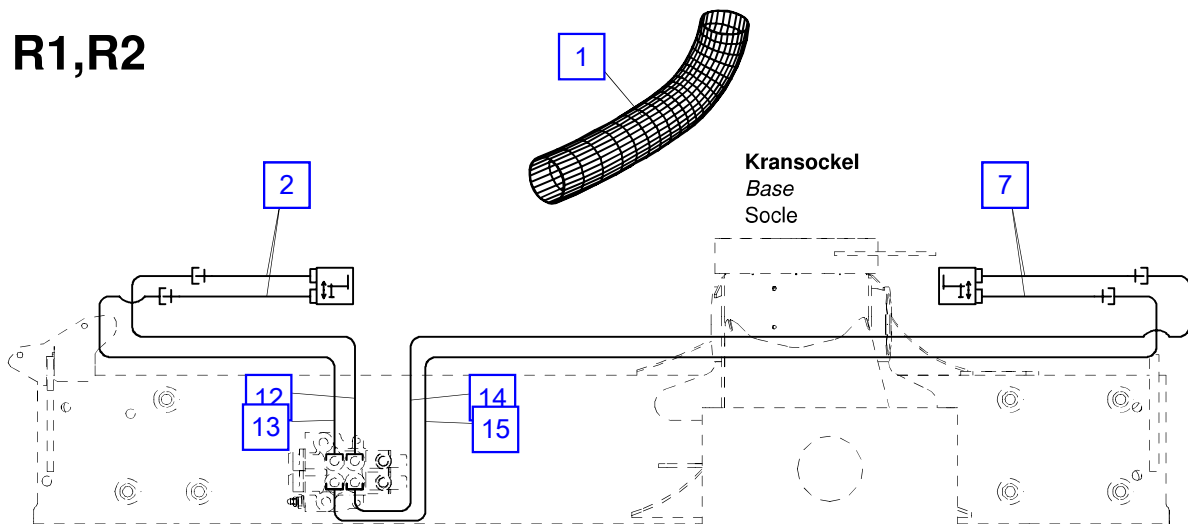
gültig für:
valid for:
valide pour:



R1,R2



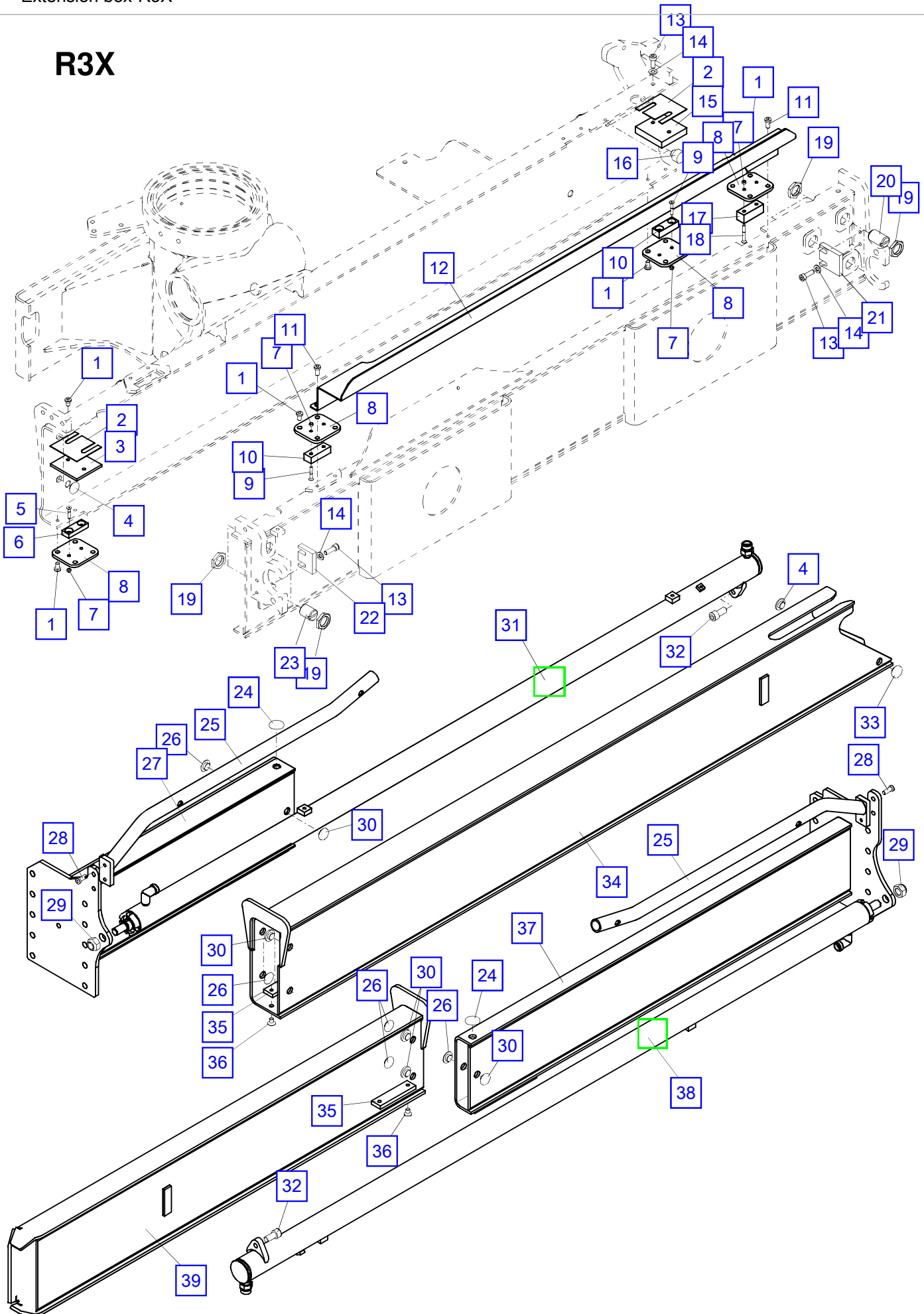
R1,R2



Steuerventil - Abstüzung
Control valve - stabil.
Distributeur de commande - stabil.

No.	Spare part	Qty.	Description	Dimension
1	EH1943	2	Protection hose	NW 50x1750
2	EH1114	2	Hose (STZY) (STZY)	NW 8x2300
2	EH6131	2	Hose (STZS)	NW 8x1970
3	HLR10238	1	Pipe	D 12
4	HLR10237	1	Pipe	D 12
5	EA 280	1	Angle fitting	EW 12 S
6	EA 195	2	Fitting	T 12-S
7	EH1114	2	Hose	NW 8x2300
7	EH6149	2	Hose (STZS)	NW 8x2100
8	HLR10239	1	Pipe	D 12
9	HLR10240	1	Pipe	D 12
10	HLR10269	1	Pipe (7-sections)	D 12
10	HLR10241	1	Pipe (5-sections)	D 12
11	HLR10268	1	Pipe (7-sections)	D 12
11	HLR10242	1	Pipe (5-sections)	D 12
12	HLR10244	1	Pipe	D 12
13	HLR10243	1	Pipe	D 12
14	HLR10246	1	Pipe	D 12
15	HLR10245	1	Pipe	D 12

R3X



No.	Spare part	Qty.	Description	Dimension
1	ES 858	14	Screw	M 8x10 ISO4762- 8.8
2	HTR1529		Shim plate	1 mm
3	HTR1427	1	Shim plate	5 mm
4	HF 050	3	Guide	3 mm
5	ES 200	2	Screw	M 5x25 DIN 7991
6	HTR1538	1	Guide block	10 mm
7	EM 040	8	Nut	M 5 DIN 985
8	HTR3431	4	Bracket plate	
9	ES 212	4	Screw	M 5x30 ISO14581- 8.8
10	HTR3368	2	Guide block	15 mm
11	ES 374	4	Screw	M 8x12 ISO4762- 8.8
12	HA6373	1	Hose tray	
13	ES 265	6	Screw	M 8x20 ISO4762- 8.8
14	EK 003	6	Washer	D 8.4 ISO7089
15	HTR3595	1	Shim plate	15 mm
16	HF 281	3	Guide	13.5 mm
17	HTR3784	1	Guide block	20 mm
	HTR2411	1	Guide block	1 mm
	HTR2412	1	Guide block	0.5 mm
18	ES 582	2	Screw	M 5x40 DIN 7991
19	EM 540	10	Nut	M 24x1.5 DIN 80705
20	HIG 428	3	Guide	l=40 mm
21	HTR3551	1	Guide piece	10 mm
22	HTR3550	1	Guide piece	10 mm
23	HIG 653	2	Guide	l=28 mm
24	HF 575	2	Guide	2 mm
24	HF 608	2	Guide	1,5 mm
25	HXE1764	2	Stirrup	
26	HF 047	6	Guide	2 mm
27	S104A31-A	1	Outrigger-R3X	
28	ES 308	4	Screw	M 8x20 DIN7984- 8.8
29	EM 031	2	Nut	M 16 DIN 985
30	HF 108	6	Guide	4 mm
31	UP1419 -->100106223	1	Outrigger extension cylinder (page 010.1000)	
31	UP1419A 100106224-->	1	Outrigger extension cylinder (page 010.1001)	
32	ES 041	2	Screw	M 12x25 ISO4762-10.9
33	HF 795	1	Guide	6 mm
34	S104A30-A	1	Outrigger-R3X	
35	HTR4024	2	Striker bar	8 mm
36	ES 123	4	Screw	M 8x12 ISO14581- 8.8
37	S104A33-A	1	Outrigger-R3X	
38	UP1420 -->100106223	1	Outrigger extension cylinder (page 010.1000)	
38	UP1420A 100106224-->	1	Outrigger extension cylinder see page 010.1001	

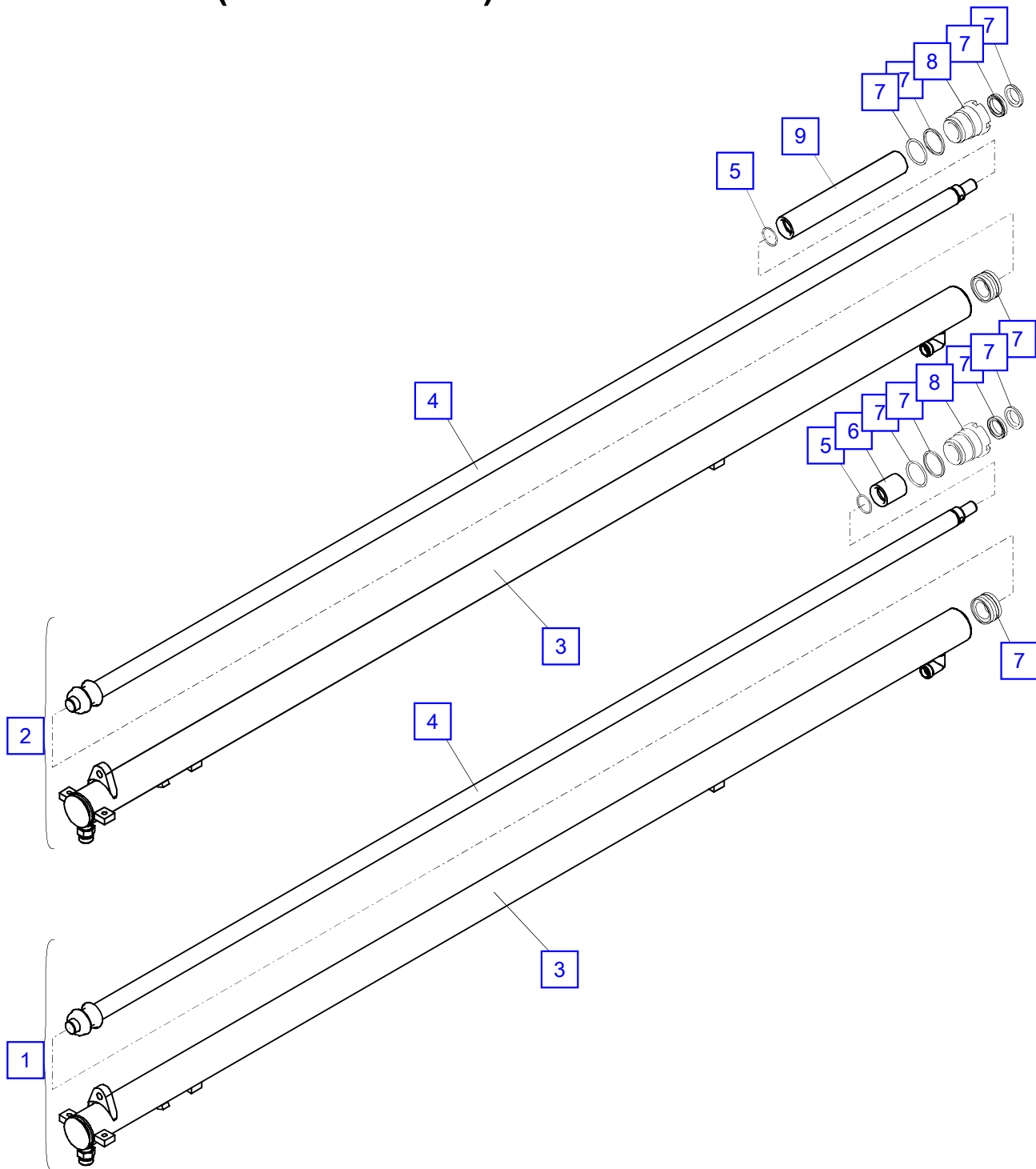
Extension box-R3X

No.	Spare part	Qty.	Description	Dimension
39	S104A32-A	1	Outrigger-R3X	

this page is intentionally left blank

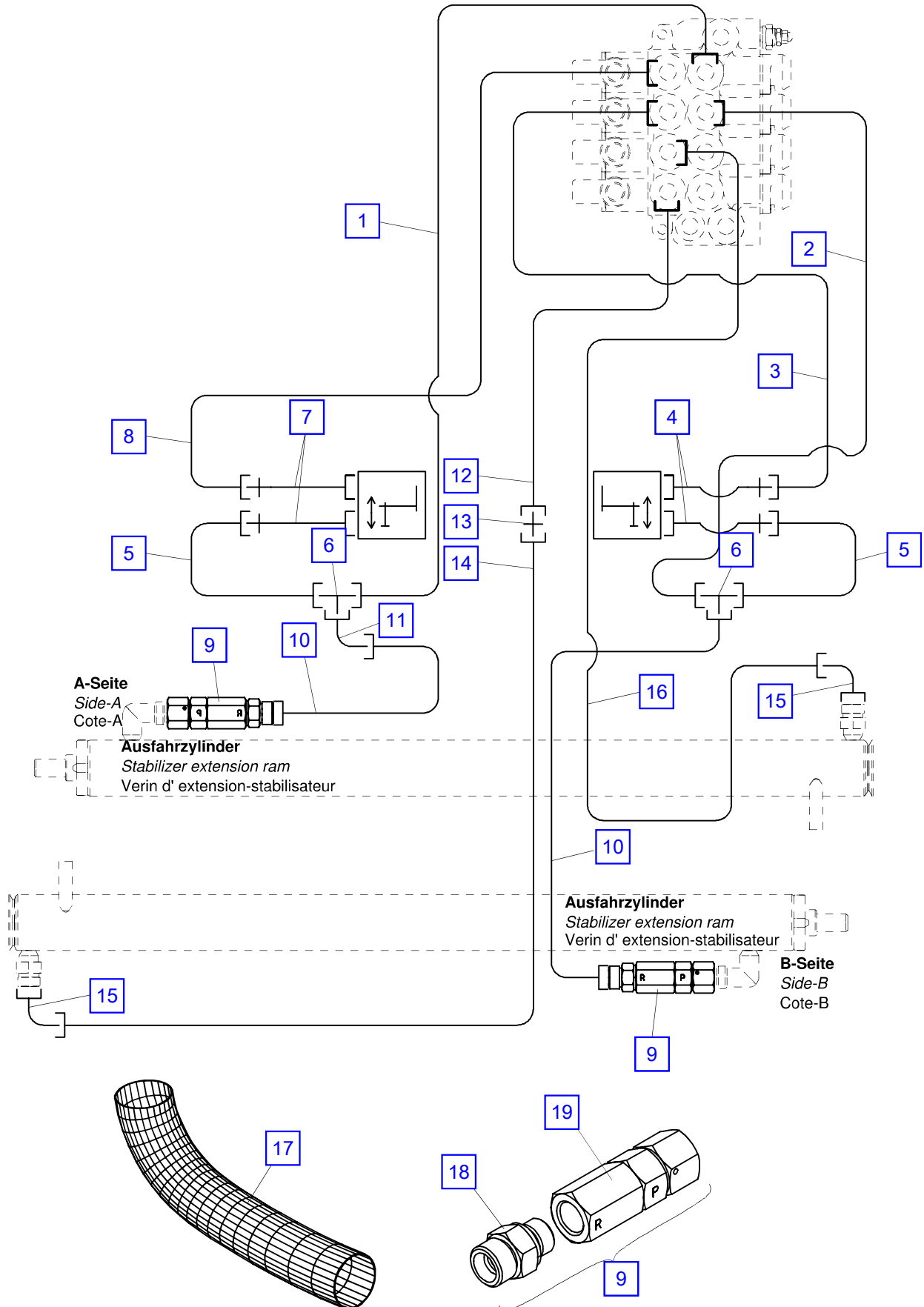
UP1419 (—>100106223)

UP1420 (—>100106223)



No.	Spare part	Qty.	Description	Dimension
1	UP1419	1	Outrigger extension cylinder	
2	UP1420	1	Outrigger extension cylinder	
3	HY1280	2	Cylinder tube	d040
4	HSK1166	2	Piston rod	D025xL1799 Dzyl.040
5	EO 108	2	O-ring	D 25x2
6	HBS2692	1	Spacer	
7	TD 526	2	Seal kit	
8	HV 437	2	Cylinder nut	
9	HBS2693	1	Spacer	

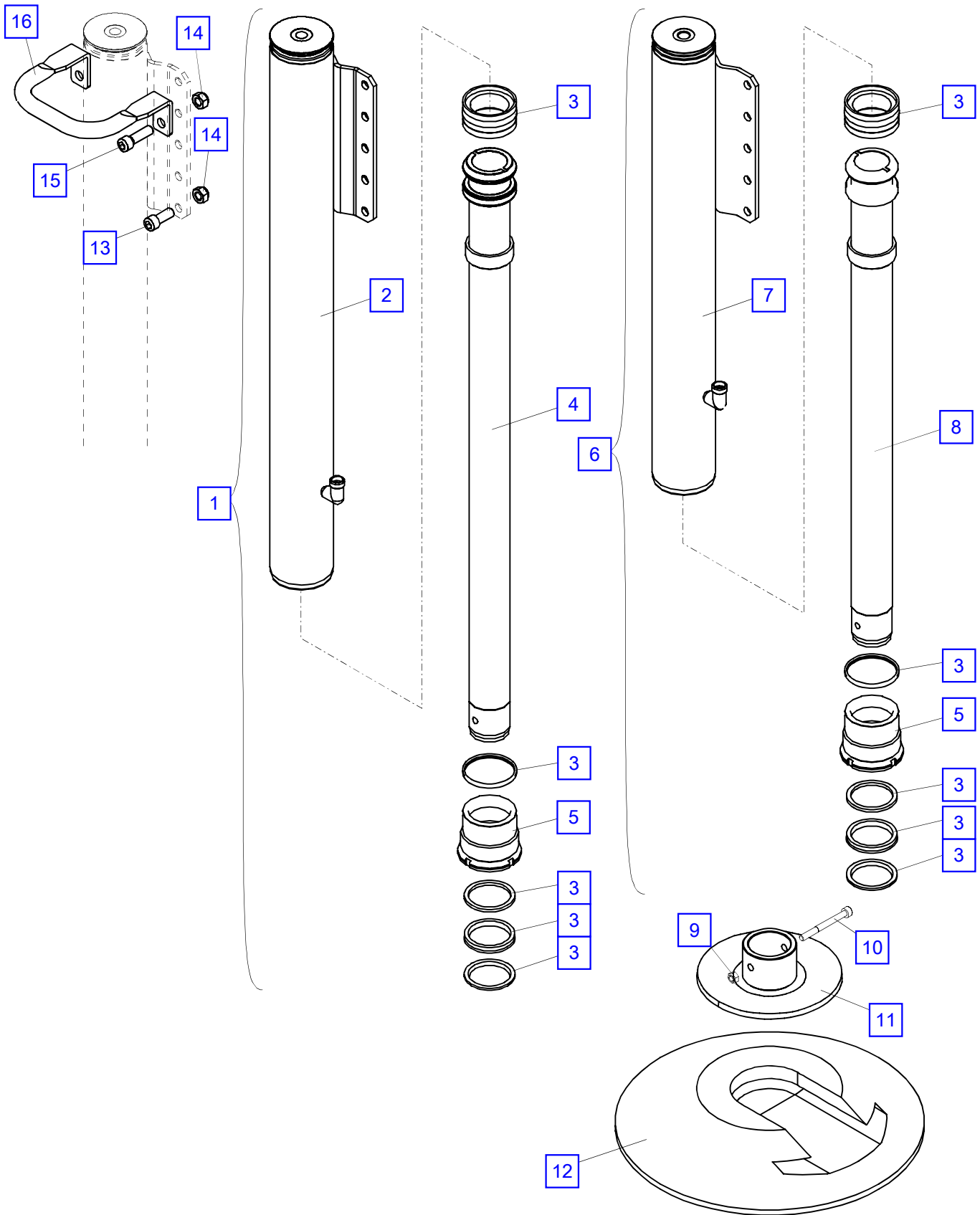
Steuerventil - Abstüzung
Control valve - stabil.
 Distributeur de commande - stabil.



No.	Spare part	Qty.	Description	Dimension
1	HLR 8947	1	Pipe	D 12
2	HLR 8948	1	Pipe	D 12
3	HLR 8950	1	Pipe	D 12
4	EH1114	2	Hose (STZY)	NW 8x2300
4	EH6149	2	Hose (STZS)	NW 8x2100
5	HLR 8951	2	Pipe	D 12
6	EA 195	2	Fitting	T 12-S
7	EH 337	2	Hose (STZY)	NW 8x2500
7	EH 679	2	Hose (STZS)	NW 8x2300
8	HLR 8949	1	Pipe	D 12
9	UV423	2	Pretension valve, cpl.	80 bar
10	EH1850	2	Hose	NW 8x400
11	EA 280	1	Angle fitting (R3X)	EW 12 S
12	HLR 8945	1	Pipe	D 12
13	EA 204	1	Fitting	G 12 S
14	HLR 8946	1	Pipe	D 12
15	EA 280	2	Angle fitting	EW 12 S
16	HLR 8944	1	Pipe	D 12
17	EH 771	2	Protection hose	NW 50x2000
18	EA 039	1	Fitting	GE 12S R3/8"-ED
19	EV4107/080	1	Pretension valve	

(—>0721046)

(0721047—>)

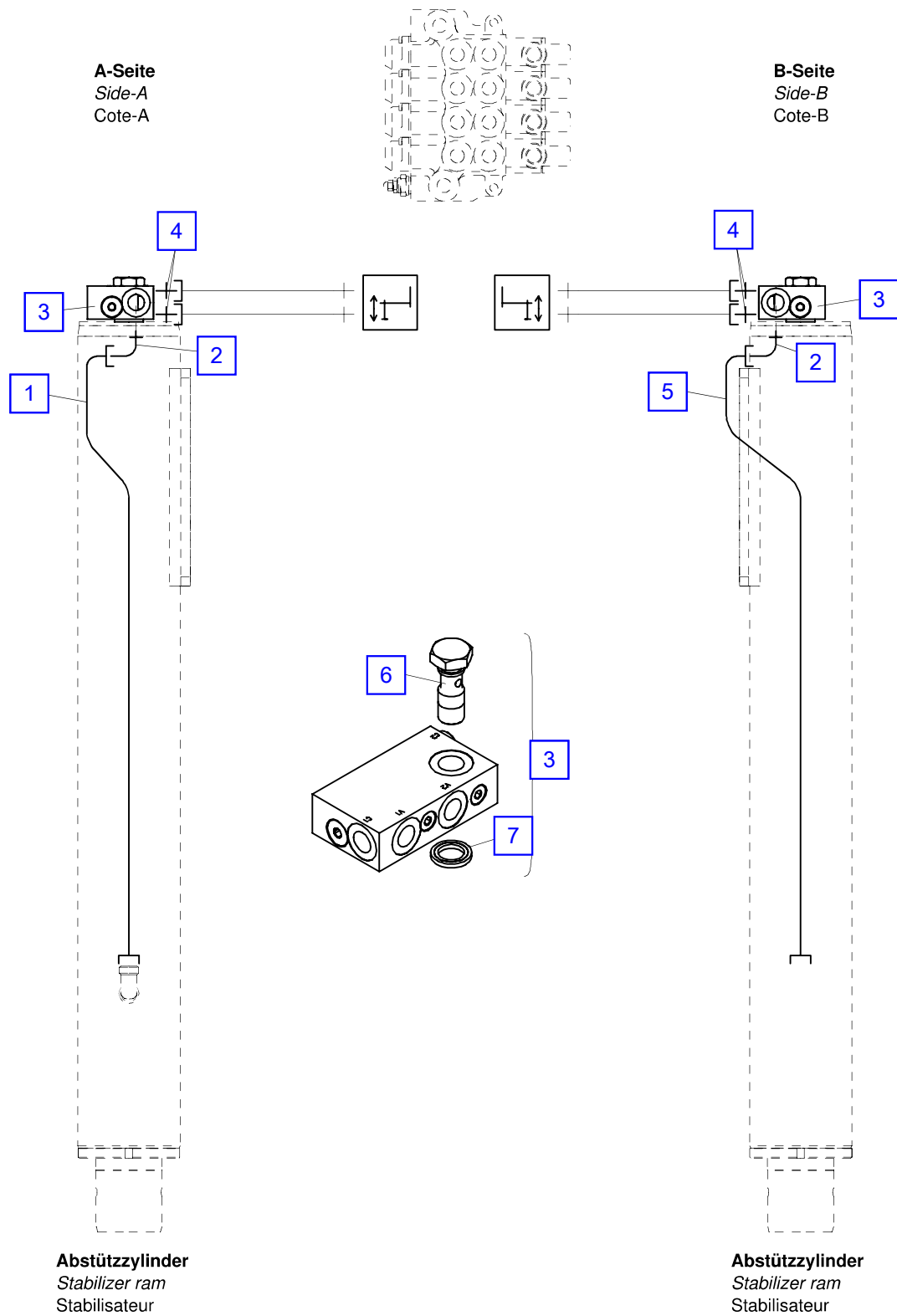


Stützteller nicht im Lieferumfang enthalten,diese müssen als Zubehör gesondert bestellt werden.

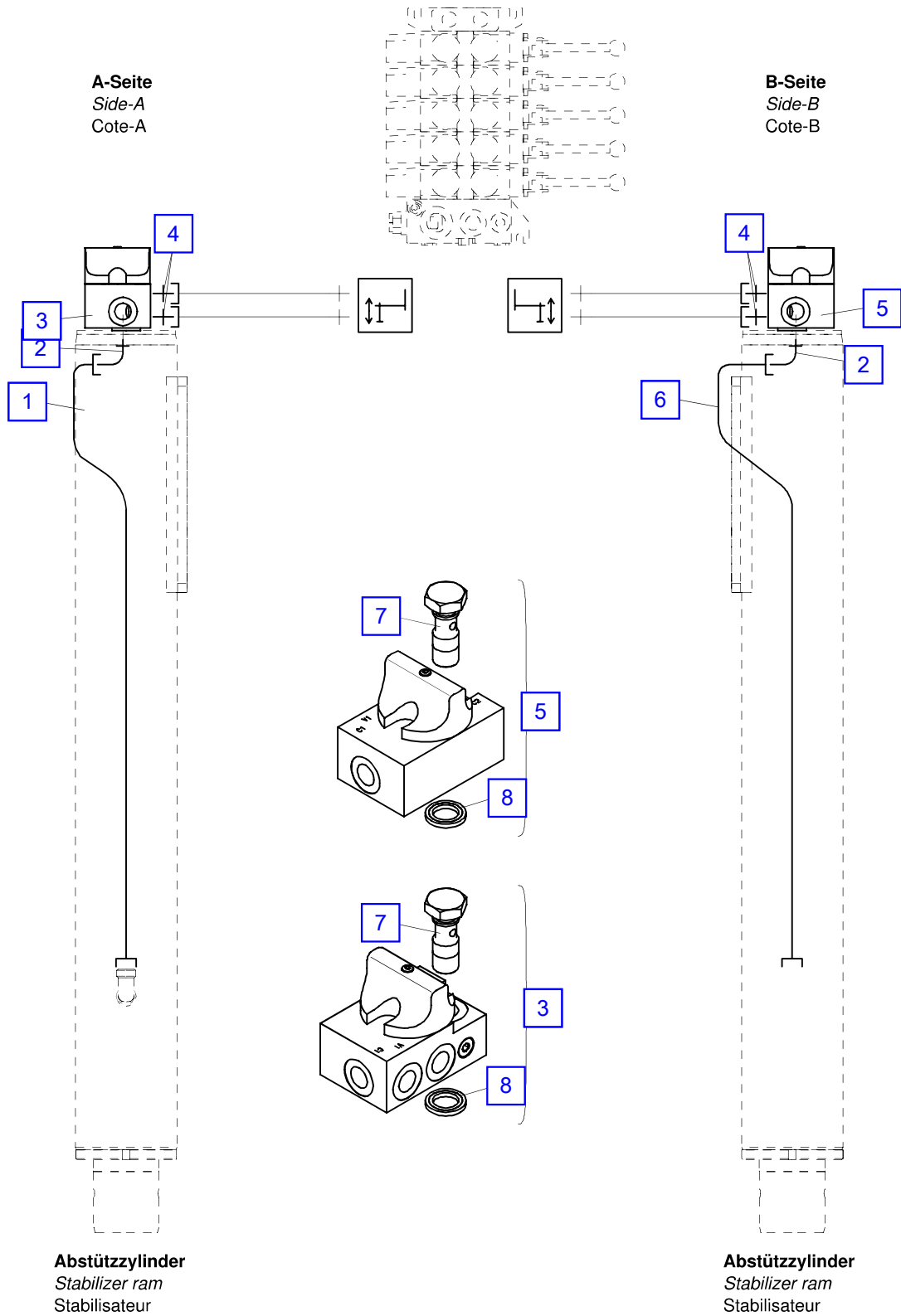
The support plates are not included in the delivery,they must be ordered separatly as accrssoires.

Les pieds de bequille ne font pas partie de la fourniture ils doivent etre commandes separement comme accessoires.

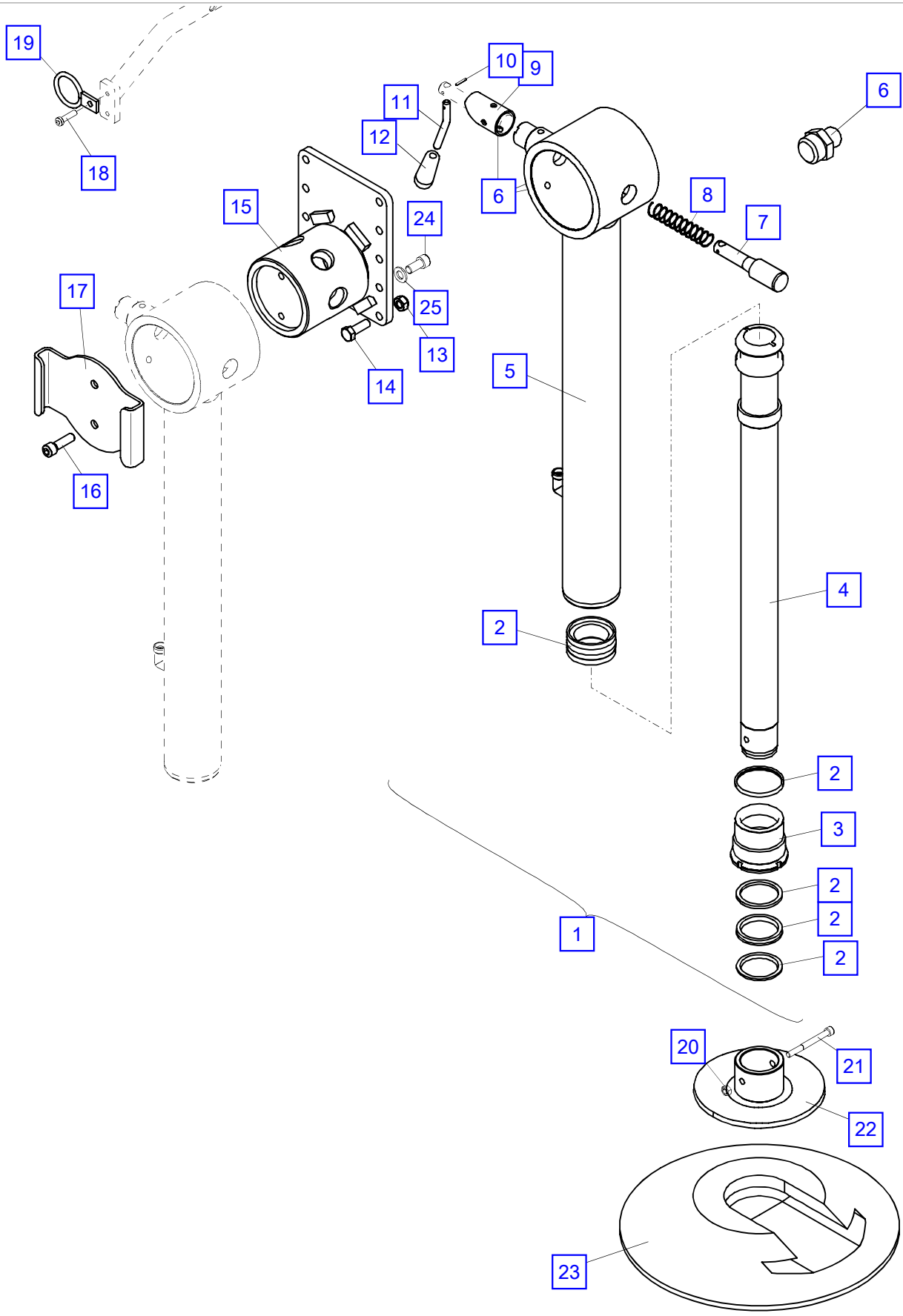
No.	Spare part	Qty.	Description	Dimension
1	UP1536	1	Stabilizer ram	l=917-1545 mm
2	HY1409	1	Cylinder tube	
3	TD 572	1	Seal kit	
4	HSK1267	1	Piston rod	
5	HV 372	1	Cylinder nut	M075x2.0 d055xL070
6	UP1706	1	Stabilizer ram	l=961 mm
7	HY1494	1	Cylinder tube	
8	HSK1342	1	Piston rod	
9	EM 026	1	Nut	DIN 985 M8
10	ES1159	1	Screw	M 8x80 ISO4762- 8.8
11	HXE 005	1	Stabilizer plates	STT="Std"
12	EZ 872	1	Stabilizer plates	D 400
13	ES 014	7	Screw	M 12x30 ISO4762-10.9
14	EM 158M	10	Nut	M 12 DIN 980
15	ES 043	3	Screw	M 12x40 ISO4762-10.9
16	HAU 197	1	Stirrup	



No.	Spare part	Qty.	Description	Dimension
1	HLR 8958 -->721046	1	Pipe	D 12
1	HLR 9623 721047-->	1	Pipe	D 12
2	EA1749	2	Adaptor	WEE 12S 3/8"
3	EV4109A	2	Check valve	
	TD 264		Undefined (for EV4109A)	
4	EA 039	4	Fitting	GE 12S R3/8"-ED
5	HLR 8959 -->721046	1	Pipe	D 12
5	HLR 9624 721047-->	1	Pipe	D 12
6	EA5792	1	Banjo bolt	
7	ED 620	1	Sealing ring	KD 3/8"



No.	Spare part	Qty.	Description	Dimension
1	HLR 8958 -->721046	1	Pipe	D 12
1	HLR 9623 721047-->	1	Pipe	D 12
2	EA1749	2	Adaptor	WEE 12S 3/8"
3	EV4418A	1	Check valve, cpl.	
	TD 264	1	Undefined	
	TD 848		Seal kit (for EV4418) (for EV4110)	
4	EA 039	4	Fitting	GE 12S R3/8"-ED
5	EV4110A	1	Check valve, cpl.	
	TD 264	1	Undefined	
	TD 848		Seal kit	
6	HLR 8959 -->721046	1	Pipe	D 12
6	HLR 9624 721047-->	1	Pipe	D 12
7	EA1449	2	Banjo bolt	
8	ED 620	2	Sealing ring	KD 3/8"



Stützteller nicht im Lieferumfang enthalten, diese müssen als Zubehör gesondert bestellt werden.

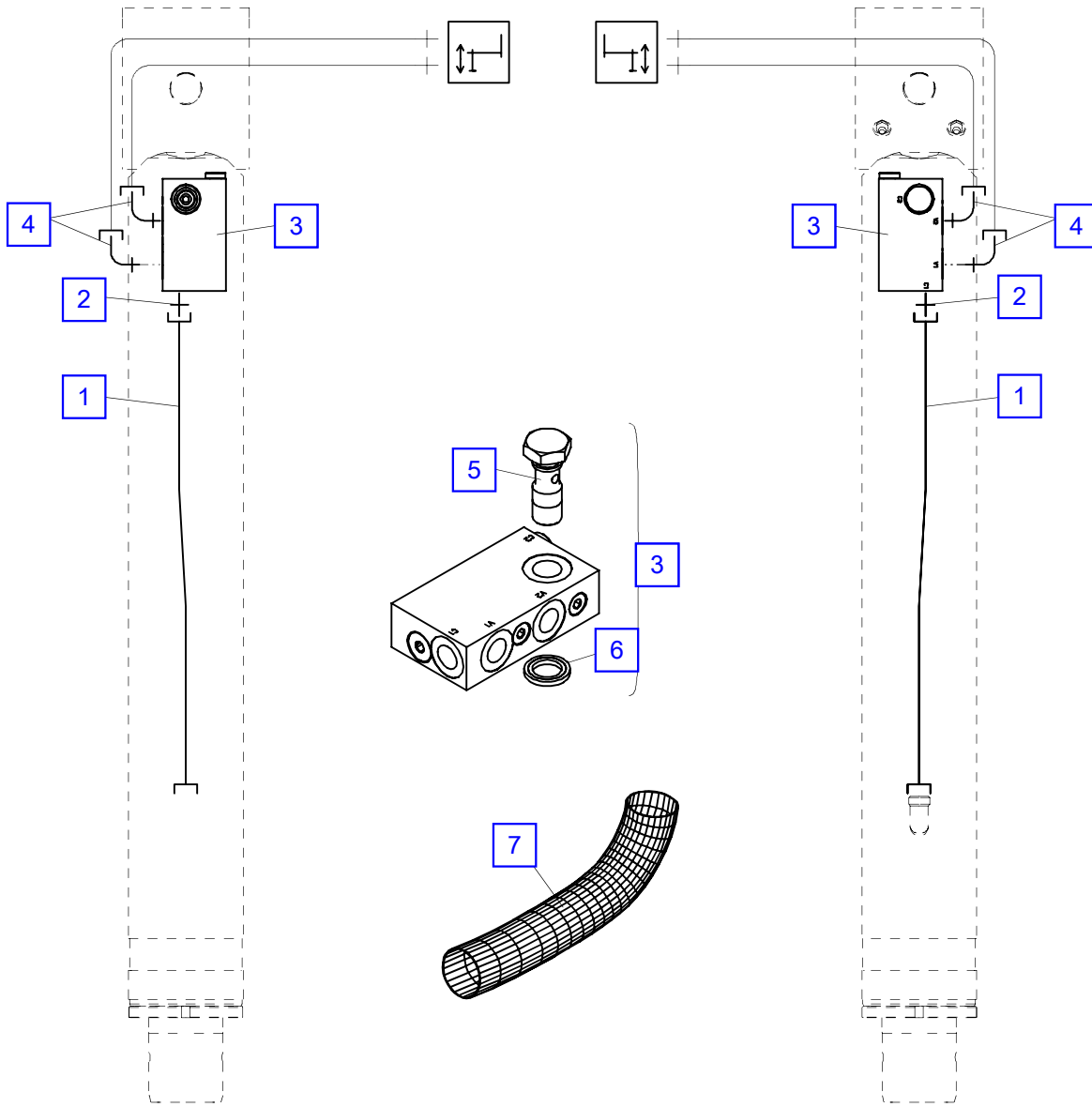
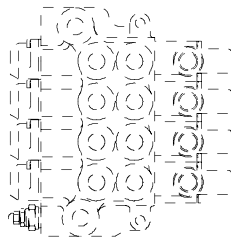
The support plates are not included in the delivery, they must be ordered separately as accessories.

Les pieds de bequille ne font pas partie de la fourniture ils doivent être commandés séparément comme accessoires.

No.	Spare part	Qty.	Description	Dimension
1	UP1551	1	Stabilizer ram	
2	TD 572	1	Seal kit	
3	HV 372	1	Cylinder nut	M075x2.0 d055xL070
4	HSK 369A	1	Piston rod	
5	HY1414	1	Cylinder tube	
6	EA 005	3	Grease nipple	M10x1 DIN71412
7	HI2738	1	Pin	
8	EF 061	1	Pressure spring	D 24.2.5x60
9	HX 463	1	Bushing	
10	EQ 299	1	Adapter sleeve	D 4x18 DIN 1481
11	HA6490	1	Pin	D010.0xL0095.0
12	EZ 253	1	Handle	
13	EM 158M	10	Nut	M 12 DIN 980
14	ES 022	10	Screw	M 12x35 DIN 933
15	HXE1711	1	Stabilizer support	
16	ES1181	2	Screw	M 12x40 ISO4762- 8.8
17	HA6446	1	Stirrup	
18	ES 275	1	Screw	M 8x30 DIN 7984
19	HXE1875	1	Hose guide	
20	EM 026	1	Nut	DIN 985 M8
21	ES1159	1	Screw	M 8x80 ISO4762- 8.8
22	HXE 005	1	Stabilizer plates	STT="Std"
23	EZ 872	1	Stabilizer plates	D 400
24	ES 041	10	Screw	M 12x25 ISO4762-10.9
25	EK 207	10	Washer	D 13 ISO7089

B-Seite
Side-B
Cote-B

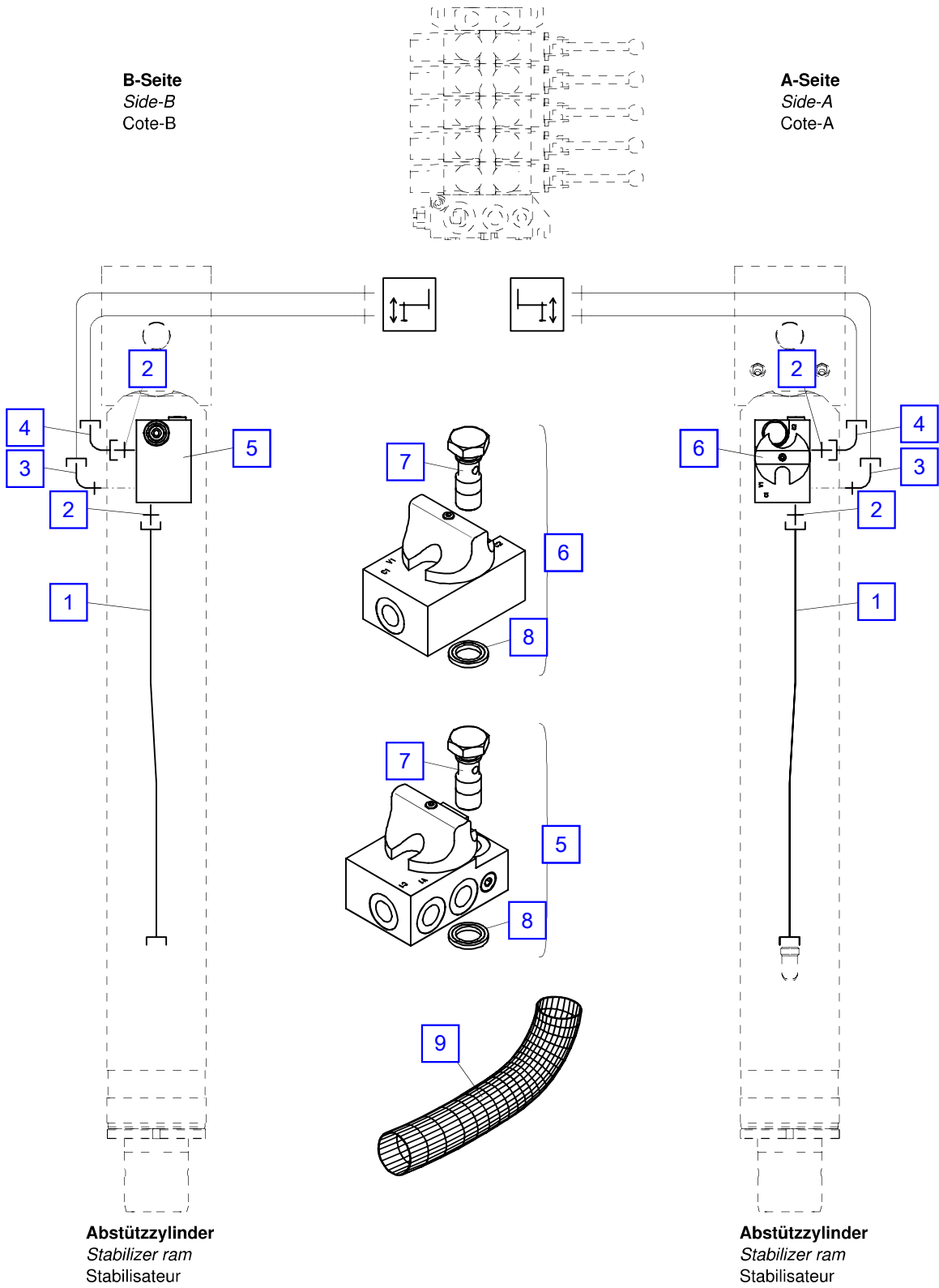
A-Seite
Side-A
Cote-A



Abstützylinder
Stabilizer ram
Stabilisateur

Abstützylinder
Stabilizer ram
Stabilisateur

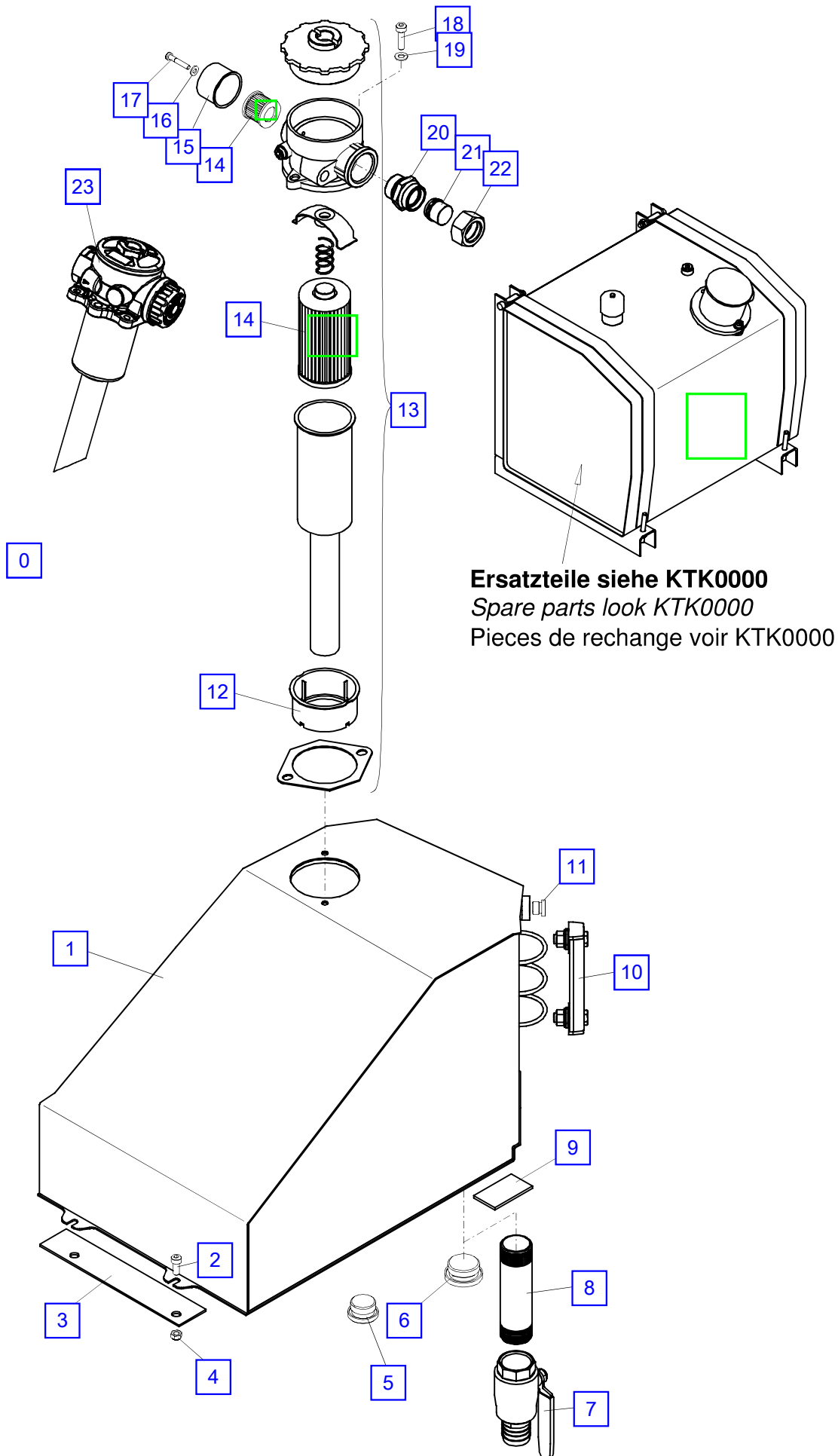
No.	Spare part	Qty.	Description	Dimension
1	HLR 9013	2	Pipe	D 12
2	EA 039	2	Fitting	GE 12S R3/8"-ED
3	EV4109A	2	Check valve	
	TD 264		Undefined (for EV4109A)	
4	EA1749	4	Adaptor	WEE 12S 3/8"
5	EA5792	1	Banjo bolt	
6	ED 620	1	Sealing ring	KD 3/8"
7	EH1942	2	Protection hose	NW 50x0900



Abstützylinder
Stabilizer ram
Stabilisateur

Abstützylinder
Stabilizer ram
Stabilisateur

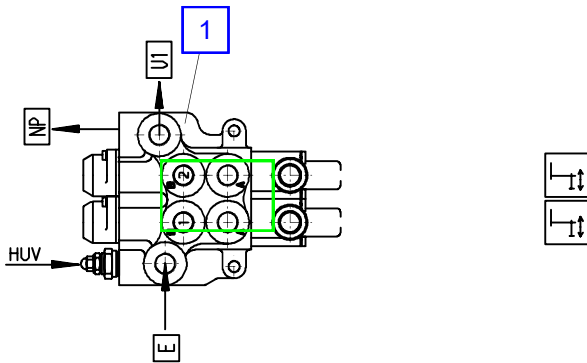
No.	Spare part	Qty.	Description	Dimension
1	HLR 8960	2	Pipe	D 12
2	EA 039	4	Fitting	GE 12S R3/8"-ED
3	EA1749	2	Adaptor	WEE 12S 3/8"
4	EA 280	2	Angle fitting	EW 12 S
5	EV4418A	1	Check valve, cpl.	
	TD 264	1	Undefined	
	TD 848		Seal kit	
6	EV4110A	1	Check valve, cpl.	
	TD 264	1	Undefined	
	TD 848		Seal kit	
7	EA1449	2	Banjo bolt	
8	ED 620	2	Sealing ring	KD 3/8"
9	EH1942	2	Protection hose	NW 50x0900



No.	Spare part	Qty.	Description	Dimension
	UT084	1	Oil tank, cpl.	50 l
1	UT084-01	1	Oil tank	50 l
2	ES 265	2	Screw	M 8x20 ISO4762- 8.8
3	HTR 748	1	Rubber mat	
4	EM 026	2	Nut	DIN 985 M8
5	EA 369	1	Locking screw	VSTI R 1/1"
6	EA1207	1	Locking screw	VSTI R 5/4"-ED
7	EA1512	1	Shut-off cock	G 1 1/4"
8	EA 163	1	Double nipple	R 1 1/4"
9	HTR 750	2	Rubber mat	
10	EA 027	1	Oil gauge	
11	EA 442	1	Locking screw	VSTI R3/8"
12	EA1688	1	Sleeve	
13	EA1411	1	Return filter, cpl.	80 l/min
	TD 519	1	Seal kit (+14)	
14	EA1412	1	Filter element	80 l/min
	BZ204S		Filter element, cpl. (page 100.0100)	
15	EZ1308	1	Cap + filter	
16	EK 043	1	Washer	D 6.4 DIN 134
17	ES 080	1	Screw	M 6x35 DIN 6912
18	ES 011	2	Screw	M 8x30 ISO4762-10.9
19	EK 003	2	Washer	D 8.4 ISO7089
20	EA1514	1	Fitting	GE 18-LR 1/1-ed
21	EA 344	1	Blind plug	BUZ 18 L
22	EA 238	1	Nut	M 18-L
23	EA1411A	1	Return filter, cpl.	80 l/min
	EA1528		Filter cover	
	EZ6006		Cap + filter	
	EA5811		Filter element	80 l/min
	TD1776		Seal kit	

Control valve-stabil.

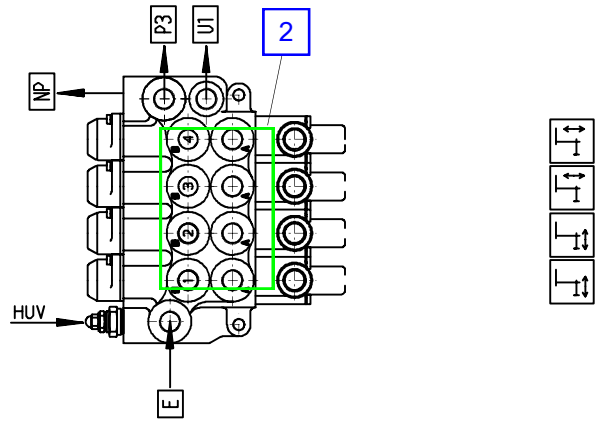
**VDM07 (—>100114323)
R1,R2
RSQ 240 RC**



Ersatzteile siehe KSC0000
Spare parts look KSC0000
Pieces de rechange voir KSC0000

R1(RSQ 240 RC)

**R2X,R3X
RSQ 240 RC**



Ersatzteile siehe KSC0000
Spare parts look KSC0000
Pieces de rechange voir KSC0000

R2X,R3X(RSQ 240 RC)

		/ EV-4410									
		Ventil Valve Soupape	Druck/bar Pressure/bar Pression/bar	Verschraubung Adaptor Raccord	Drossel Restrictor Etranglement	Hebel Leve Levier	Element Element Element				
HUV	E	EV-990	160								
P	E			EA-039							
	U1			HLA-376							
	NP			EA-746							
1	A	----	---	EA-039	-						
	B	----	---	EA-039	-						
2	A	----	---	EA-039	-						
	B	----	---	EA-039	-						

		/ EV-4411									
		Ventil Valve Soupape	Druck/bar Pressure/bar Pression/bar	Verschraubung Adaptor Raccord	Drossel Restrictor Etranglement	Hebel Leve Levier	Element Element Element				
HUV	E	EV-990	160								
P	E			EA-039							
	P3			EA-746							
	U1			HLA-376							
1	A	----	---	EA-039	-						
	B	----	---	EA-039	-						
2	A	----	---	EA-039	-						
	B	----	---	EA-039	-						
3	A	----	---	EA-039	-						
	B	----	---	EA-039	-						
4	A	----	---	EA-039	-						
	B	----	---	EA-039	-						

R1,R2

R2X,R3X

		/ EV-4410									
		Ventil Valve Soupape	Druck/bar Pressure/bar Pression/bar	Verschraubung Adaptor Raccord	Drossel Restrictor Etranglement	Hebel Leve Levier	Element Element Element				
HUV	E	EV-990	160								
P	E			EA-769							
	U1			HLA-376							
	NP			EA-746							
1	A	----	---	EA-039	-						
	B	----	---	EA-039	-						
2	A	----	---	EA-039	-						
	B	----	---	EA-039	-						

		/ EV-4411									
		Ventil Valve Soupape	Druck/bar Pressure/bar Pression/bar	Verschraubung Adaptor Raccord	Drossel Restrictor Etranglement	Hebel Leve Levier	Element Element Element				
HUV	E	EV-990	160								
P	E			EA-769							
	P3			EA-746							
	U1			HLA-376							
1	A	----	---	EA-039	-						
	B	----	---	EA-039	-						
2	A	----	---	EA-039	-						
	B	----	---	EA-039	-						
3	A	----	---	EA-039	-						
	B	----	---	EA-039	-						
4	A	----	---	EA-039	-						
	B	----	---	EA-039	-						

Steuerventil Control valve Distributeur de commande

KSC = mit Verschraubungen und Ventilen
KSC = with adaptors and valves
KSC = avec raccords et soupapes

HUV = Hauptüberdruckventil
HUV = Main relief valve
HUV = Soupape de surpression principal

O = mit Überlastsicherung
O = with overload protection
O = avec soupape de surcharge

F = ferngesteuert
F = remote controlled
F = télécommand

EV = KSC ohne Verschraubungen und Ventilen
EV = KSC without adaptors and valves
EV = KSC sans raccords et soupapes

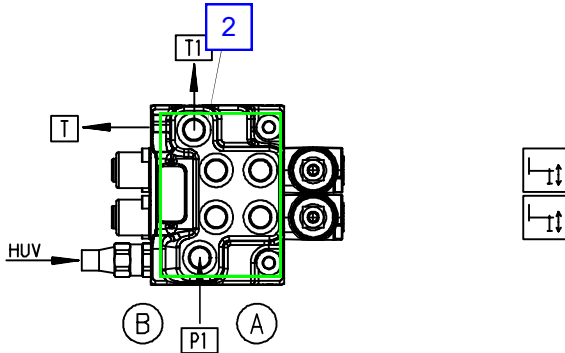
P,T = Versorgungsanschlüsse
P,T = Supply connections
P,T = Raccords de alimentation

x = offene Nullstellung - Schieberstange muß gesondert bestellt werden
x = neutral position open - Spool must be ordered separately
x = position neutral ouvert - on doit ordre le tiroir de distributeur separe

No.	Spare part	Qty.	Description	Dimension
1	EV4410	1	Control valve cpl.(2-sections) without EA...,HH...	VDM07
	EA 039		Fitting	GE 12S R3/8"-ED
	EA 746		Locking screw	vsti M 18x1.5
	EA 769		Fitting	GE 16 SR 3/8"-ED
	HLA 376		Fitting	GE 18 L 3/8-ed
2	EV4411	1	Control valve cpl.(4-sections) without EA...,HH...	VDM07
	EA 039		Fitting	GE 12S R3/8"-ED
	EA 746		Locking screw	vsti M 18x1.5
	EA 769		Fitting	GE 16 SR 3/8"-ED
	HLA 376		Fitting	GE 18 L 3/8-ed

Control valve-stabil.

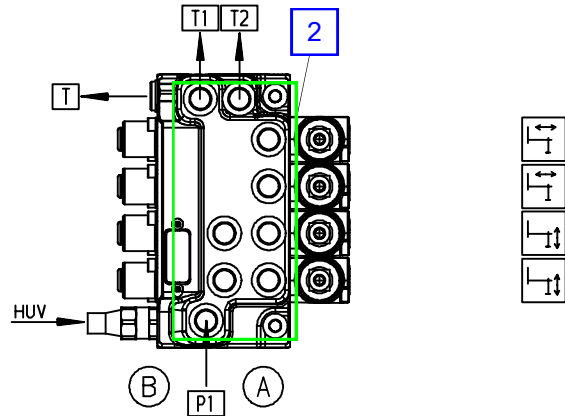
**DN46 (100114324—>)
R1,R2
RSQ 240 RC**



Ersatzteile siehe KSC0000
Spare parts look KSC0000
Pieces de rechange voir KSC0000

R1(RSQ 240 RC)

**R2X,R3X
RSQ 240 RC**



Ersatzteile siehe KSC0000
Spare parts look KSC0000
Pieces de rechange voir KSC0000

R2X,R3X(RSQ 240 RC)

		/ EV4410B						
	Ventil Valve Soupape	Druck/bar Pressure/bar Pression/bar	Verschraubung Adaptor Raccord	Drossel Restrictor Etranglement	Hebel Leve Levier	Element Element Element		
HUV	EV-6234	160						
P	P1		EA-039					
T	T1		HLA-376					
	T		EA-442					
1	A	---	EA-039	-				
	B	---	EA-039	-				
2	A	---	EA-039	-				
	B	---	EA-039	-				

		/ EV-4411B						
	Ventil Valve Soupape	Druck/bar Pressure/bar Pression/bar	Verschraubung Adaptor Raccord	Drossel Restrictor Etranglement	Hebel Leve Levier	Element Element Element		
HUV	EV-6234	160						
P	P1		EA-039					
T	T1		EA-442					
	T2		HLA-376					
	T		EA-442					
1	A	---	EA-039	-				
	B	---	EA-039	-				
2	A	---	EA-039	-				
	B	---	EA-039	-				
3	A	---	EA-039	-				
	B	---	EA-039	-				
4	A	---	EA-039	-				
	B	---	EA-039	-				

R1,R2

R2X,R3X

		/ EV4410B						
	Ventil Valve Soupape	Druck/bar Pressure/bar Pression/bar	Verschraubung Adaptor Raccord	Drossel Restrictor Etranglement	Hebel Leve Levier	Element Element Element		
HUV	EV-6234	160						
P	P1		EA-769					
T	T1		HLA-376					
	T		EA-442					
1	A	---	EA-039	-				
	B	---	EA-039	-				
2	A	---	EA-039	-				
	B	---	EA-039	-				

		/ EV-4411B						
	Ventil Valve Soupape	Druck/bar Pressure/bar Pression/bar	Verschraubung Adaptor Raccord	Drossel Restrictor Etranglement	Hebel Leve Levier	Element Element Element		
HUV	EV-6234	160						
P	P1		EA-769					
T	T1		EA-442					
	T2		HLA-376					
	T		EA-442					
1	A	---	EA-039	-				
	B	---	EA-039	-				
2	A	---	EA-039	-				
	B	---	EA-039	-				
3	A	---	EA-039	-				
	B	---	EA-039	-				
4	A	---	EA-039	-				
	B	---	EA-039	-				

Steuerventil Control valve Distributeur de commande

KSC = mit Verschraubungen und Ventilen
KSC = with adaptors and valves
KSC = avec raccords et soupapes

HUV = Hauptüberdruckventil
HUV = Main relief valve
HUV = Soupape de surpression principal

O = mit Überlastsicherung
O = with overload protection
O = avec soupape de surcharge

F = ferngesteuert
F = remote controlled
F = télécommand

EV = KSC ohne Verschraubungen und Ventilen
EV = KSC without adaptors and valves
EV = KSC sans raccords et soupapes

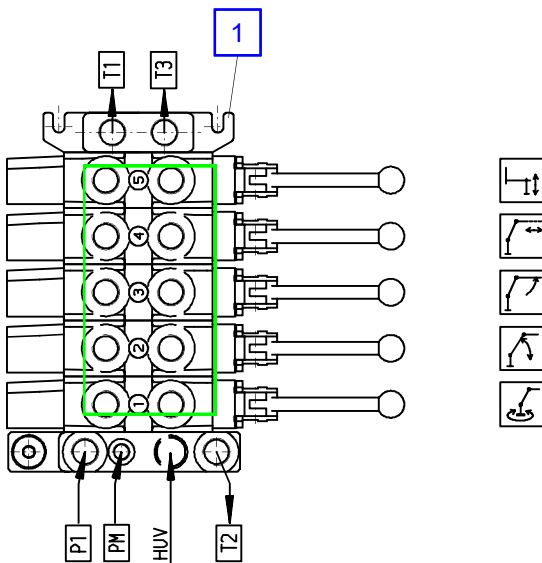
P,T = Versorgungsanschlüsse
P,T = Supply connections
P,T = Raccords de alimentation

x = offene Nullstellung - Schieberstange muß gesondert bestellt werden
x = neutral position open - Spool must be ordered separately
x = position neutral ouvert - on doit ordre le tiroir de distributeur separe

No.	Spare part	Qty.	Description	Dimension
2	EV4411B	1	Control valve cpl.(4-sections) without EA...,HH...	DN46
	EA 039		Fitting	GE 12S R3/8"-ED
	EA 442		Locking screw	VSTI R3/8"
	EA 769		Fitting	GE 16 SR 3/8"-ED
	HLA 376		Fitting	GE 18 L 3/8-ed
2	EV4410B	1	Control valve cpl.(2-sections) without EA...,HH...	
	EA 039		Fitting	GE 12S R3/8"-ED
	EA 442		Locking screw	VSTI R3/8"
	EA 769		Fitting	GE 16 SR 3/8"-ED
	HLA 376		Fitting	GE 18 L 3/8-ed

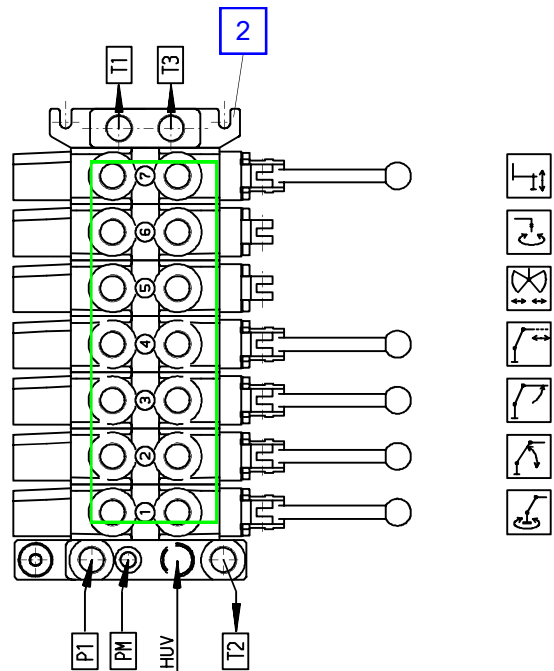
Control valve-F

F



Ersatzteile siehe KSC0000
 Spare parts look KSC0000
 Pieces de rechange voir KSC0000

F



Ersatzteile siehe KSC0000
 Spare parts look KSC0000
 Pieces de rechange voir KSC0000

/ EV-5620								/ EV-5621							
		Ventil Valve Soupape	Druck/bar Pressure/bar Pression/bar	Verschraubung Adaptor Raccord	Drossel Restrictor Etranglement	Hebel Leve Levier	Element Element Element			Ventil Valve Soupape	Druck/bar Pressure/bar Pression/bar	Verschraubung Adaptor Raccord	Drossel Restrictor Etranglement	Hebel Leve Levier	Element Element Element
HUV		EV-5118							HUV	EV-5118					
P	P1			EA-074					P	P1		EA-074			
T	T1			EA-240					T	T1		EA-240			
	T2			-						T2		-			
	T3			-						T3		-			
1	A	EV-043	210	EA-590	HD-376		EV-5652	1	A	EV-043	210	EA-590	HD-376		EV-5652
	B	EV-043	210	EA-590	HD-376				B	EV-043	210	EA-590	HD-376		
2	A	EV-044	330	EA-183	-	0	EV-5653	2	A	EV-044	330	EA-183	-	0	EV-5653
	B	EV-044	120	EA-183	-		EV-5654		B	EV-044	120	EA-183	-		EV-5654
3	A	-----	---	EA-183	-		EV-5654	3	A	-----	---	EA-183	-		EV-5654
	B	-----	---	EA-183	-				B	-----	---	EA-183	-		
4	A	-----	---	EA-183	-		EV-5655	4	A	-----	---	EA-183	-		EV-5655
	B	-----	---	EA-183	-				B	-----	---	EA-183	-		
5	A	EV-044	080	EA-183	-		EV-5021	5	A	EV-049	---	EA-261	-		EV-5021
	B	EV-049	---	EA-183	-				B	EV-049	---	EA-261	-		
6	A	EV-049	---	EA-261	-		EV-5021	6	A	EV-049	---	EA-261	-		EV-5021
	B	EV-049	---	EA-261	-				B	EV-049	---	EA-261	-		
7	A	EV-044	080	EA-183	-		EV-5021	7	A	EV-044	080	EA-183	-		EV-5021
	B	EV-049	---	EA-183	-				B	EV-049	---	EA-183	-		

Steuerventil Control valve Distributeur de commande

KSC = mit Verschraubungen und Ventilen
 KSC = with adaptors and valves
 KSC = avec raccords et soupapes

HUV = Hauptüberdruckventil
 HUV = Main relief valve
 HUV = Soupape de surpression principal

O = mit Überlastsicherung
 O = with overload protection
 O = avec soupape de surcharge

F = ferngesteuert
 F = remote controlled
 F = télécommand

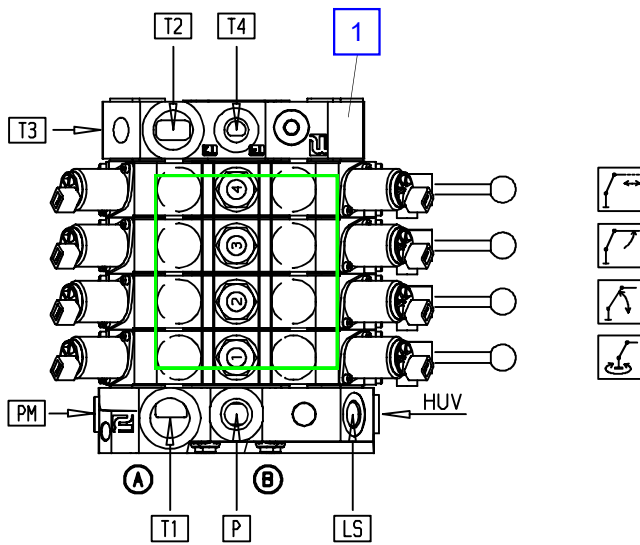
EV = KSC ohne Verschraubungen und Ventilen
 EV = KSC without adaptors and valves
 EV = KSC sans raccords et soupapes

P,T = Versorgungsanschlüsse
 P,T = Supply connections
 P,T = Raccords de alimentation

x = offene Nullstellung - Schieberstange muß gesondert bestellt werden
 x = neutral positon open - Spool must be ordered separatly
 x = position neutral ouvert - on doit ordre le tiroir de distributeur separe

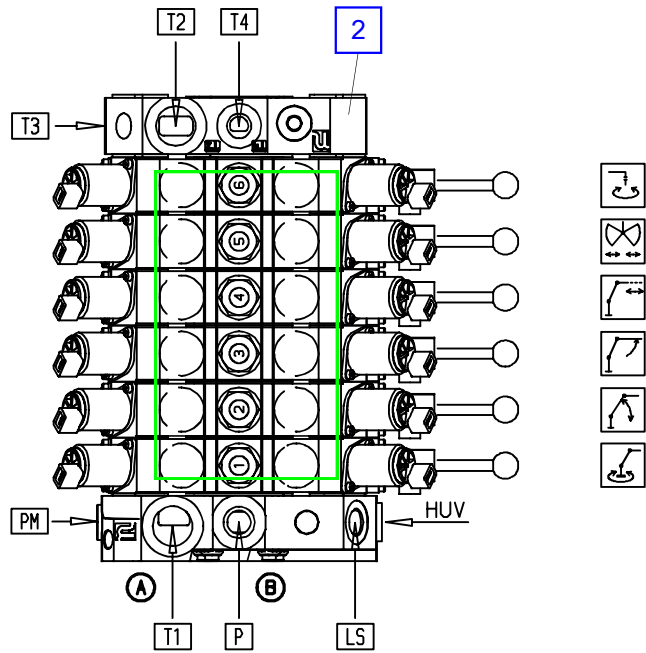
No.	Spare part	Qty.	Description	Dimension
1	EV5620	1	Control valve cpl.(5-sections)	
	EA 074		Fitting	GE 16S R1/2"-ED
	EA 183		Fitting	GE 12S R1/2"-ED
	EA 240		Fitting	GE 18 L R1/2"
2	EV5621	1	Control valve cpl.(7-sections)	
	EA 074		Fitting	GE 16S R1/2"-ED
	EA 183		Fitting	GE 12S R1/2"-ED
	EA 240		Fitting	GE 18 L R1/2"
	EA 261		Locking screw	VSTI R1/2"

RSQ 240 RC



Ersatzteile siehe KSC0000
 Spare parts look KSC0000
 Pieces de rechange voir KSC0000

RSQ 240 RC



Ersatzteile siehe KSC0000
 Spare parts look KSC0000
 Pieces de rechange voir KSC0000

KSC00038A / EV-4961							KSC00039A / EV-4966								
	Ventil Valve Soupape	Druck/bar Pressure/bar Pression/bar	Verschraubung Adaptor Raccord	Drossel Restrictor Etranglement	Hebel Leve Levier	Element Element Element		Ventil Valve Soupape	Druck/bar Pressure/bar Pression/bar	Verschraubung Adaptor Raccord	Drossel Restrictor Etranglement	Hebel Leve Levier	Element Element Element		
HUV	EV-2718						HUV	EV-2718							
P	PM		EA-033				P	PM		EA-033					
	LS		EA-716					LS		EA-716					
			-							-					
T	T1		EA-1514				T	T1		EA-1514					
	T2		EA-1514					T2		EA-1514					
	T3		EA-1052					T3		EA-1052					
	T4		EA-183					T4		EA-183					
1	A	EV-4560	210	EA-590	HD-376	HH-439	EV-4951	1	A	EV-4560	210	EA-590	HD-376	HH-439	EV-4951
	B	EV-4560	210	EA-590	HD-376				B	EV-4560	210	EA-590	HD-376		
2	A	EV-4935	120	EA-183	-	0	EV-4952	2	A	EV-4935	120	EA-183	-	0	EV-4952
	B	EV-5118	325	EA-183	-		EV-6239		B	EV-5118	325	EA-183	-		EV-6239
3	A	EV-4935	175	EA-183	-	HH-439	EV-4953	3	A	EV-4935	175	EA-183	-	HH-439	EV-4953
	B	EV-5117	325	EA-183	-				B	EV-5117	325	EA-183	-		
4	A	----	----	EA-183	-	HH-439	EV-4954	4	A	----	----	EA-183	-	HH-439	EV-4954
	B	----	----	EA-183	-				B	----	----	EA-183	-		
								5	A	EV-4546	-	EA-183	-	HH-439	EV-4955
									B	EV-4546	-	EA-183	-		
								6	A	EV-4546	-	EA-183	-	HH-439	EV-4955
									B	EV-4546	-	EA-183	-		

Steuerventil Control valve Distributeur de commande

KSC = mit Verschraubungen und Ventilen
 KSC = with adaptors and valves
 KSC = avec raccords et soupapes

HUV = Hauptüberdruckventil
 HUV = Main relief valve
 HUV = Soupape de surpression principal

O = mit Überlastsicherung
 O = with overload protection
 O = avec soupape de surcharge

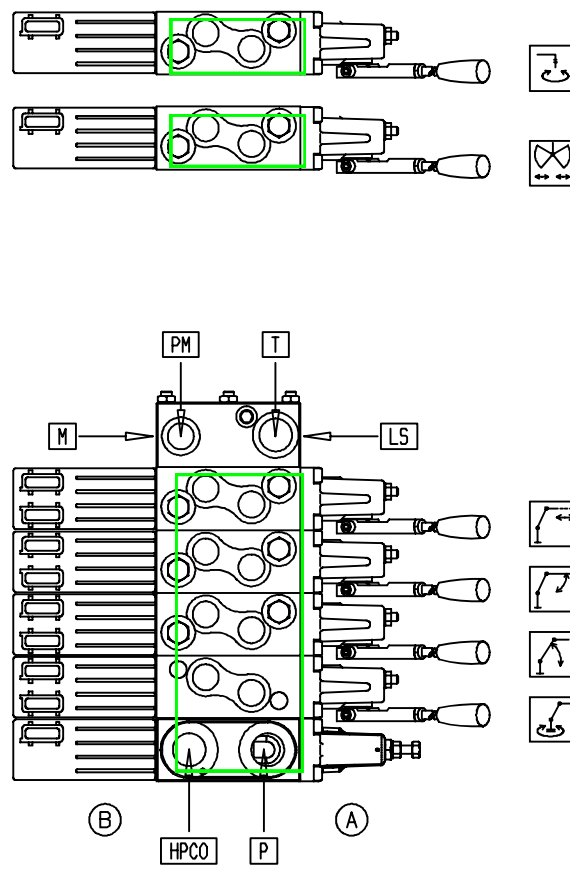
F = ferngesteuert
 F = remote controlled
 F = télécommand

EV = KSC ohne Verschraubungen und Ventilen
 EV = KSC without adaptors and valves
 EV = KSC sans raccords et soupapes

P,T = Versorgungsanschlüsse
 P,T = Supply connections
 P,T = Raccords de alimentation

x = offene Nullstellung - Schieberstange muß gesondert bestellt werden
 x = neutral positon open - Spool must be ordered separatly
 x = position neutral ouvert - on doit ordre le tiroir de distributeur separe

No.	Spare part	Qty.	Description	Dimension
1	KSC00038A	1	Control valve	RSQ 240 RC
	EA 033	0	Fitting	GE 16 SR 3/4"ED
	EA 183	0	Fitting	GE 12S R1/2"-ED
	EA1052	0	Fitting	GE 8 S R3/8"
	EA1514	0	Fitting	GE 18-LR 1/1-ed
			cpl.(4-sections)	
2	KSC00039A	1	Control valve	RSQ 240 RC
	EA 033	0	Fitting	GE 16 SR 3/4"ED
	EA 183	0	Fitting	GE 12S R1/2"-ED
	EA1052	0	Fitting	GE 8 S R3/8"
	EA1514	0	Fitting	GE 18-LR 1/1-ed
			cpl.(6-sections)	



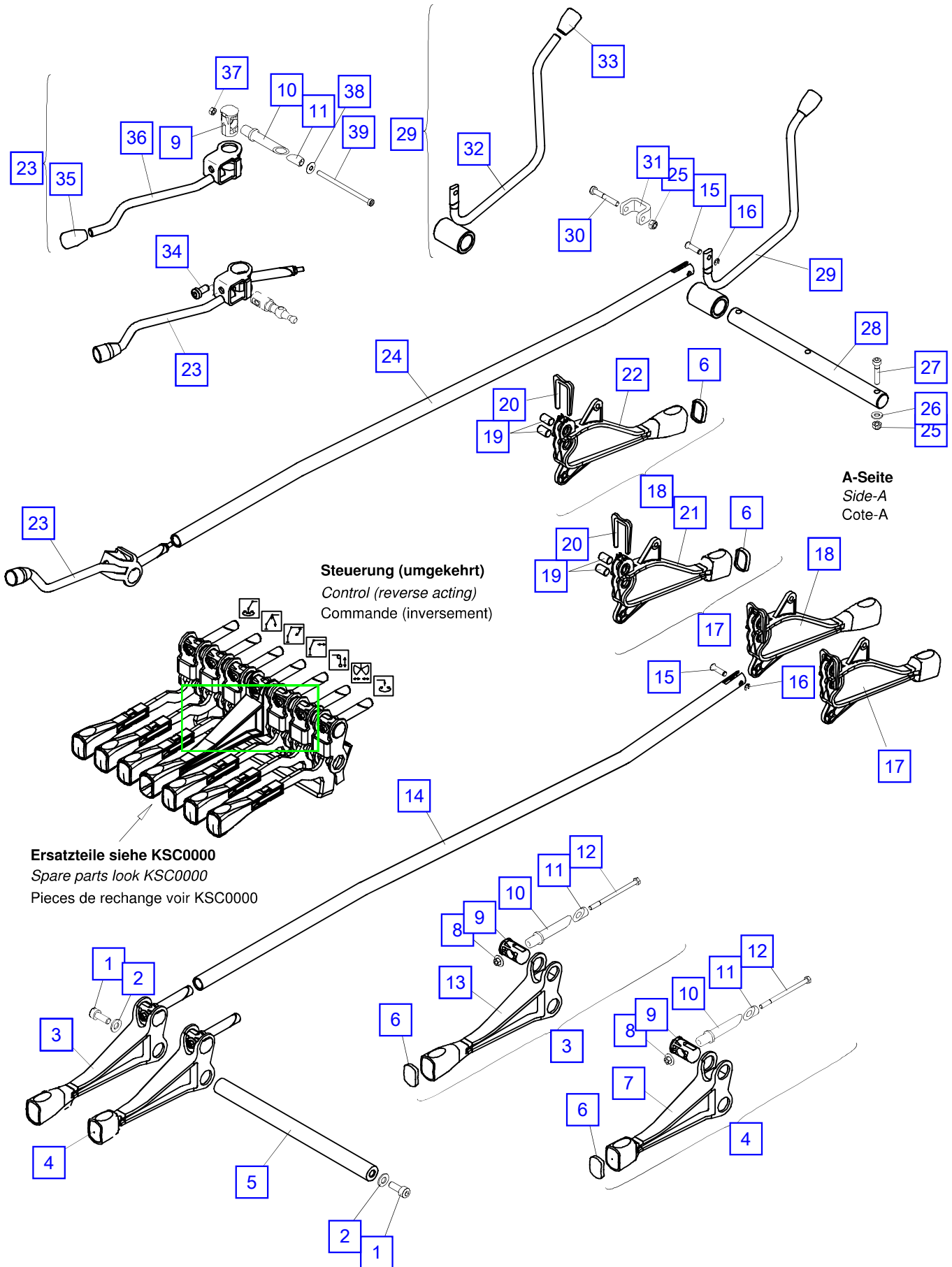
Ersatzteile siehe PVG32

Spare parts look PVG32

Pieces de rechange voir PVG32

OC	HUV 315 bar	HPCO EA-033	P EA-033	M EA-716	PM EA-261	T EA-330	LS ---		
CC	HUV 350 bar	HPCO EA-033	P EA-033	M EA-716	PM EA-261	T EA-330	LS EA-089		
	A	EA-183 175 bar	LSA	---	B	EA-183 175 bar	LSB	---	
	A	EA-183 175 bar	LSA	---	B	EA-183 175 bar	LSB	---	
	A	EA-183 ---	LSA	---	B	EA-183 ---	LSB	---	
	A	EA-183 320 bar	LSA	300 bar	B	EA-183 345 bar	LSB	350 bar	
	A	EA-183 150 bar	LSA	120 bar	B	EA-183 345 bar	LSB	350 bar	
	A	EA-590, HD-376 240 bar	LSA	210 bar	B	EA-590, HD-376 240 bar	LSB	210 bar	

No.	Spare part	Qty.	Description	Dimension
1	KSC00044B	1	Control valve	RC001
	EA 033	0	Fitting	GE 16 SR 3/4"-ED
	EA 089	0	Fitting	GE 8S R1/4"-ED
	EA 183	0	Fitting	GE 12S R1/2"-ED
	EA 261	0	Locking screw	VSTI R1/2"
	EA 330	0	Fitting	GE 22-L 3/4"-ED
	EA 590	0	Fitting	GE 12 SR 1/2"ED
	EA 716	0	Dial gauge connection	EMA3 R1/4"
	HD 376	0	Restrictor	D 1,5 mm



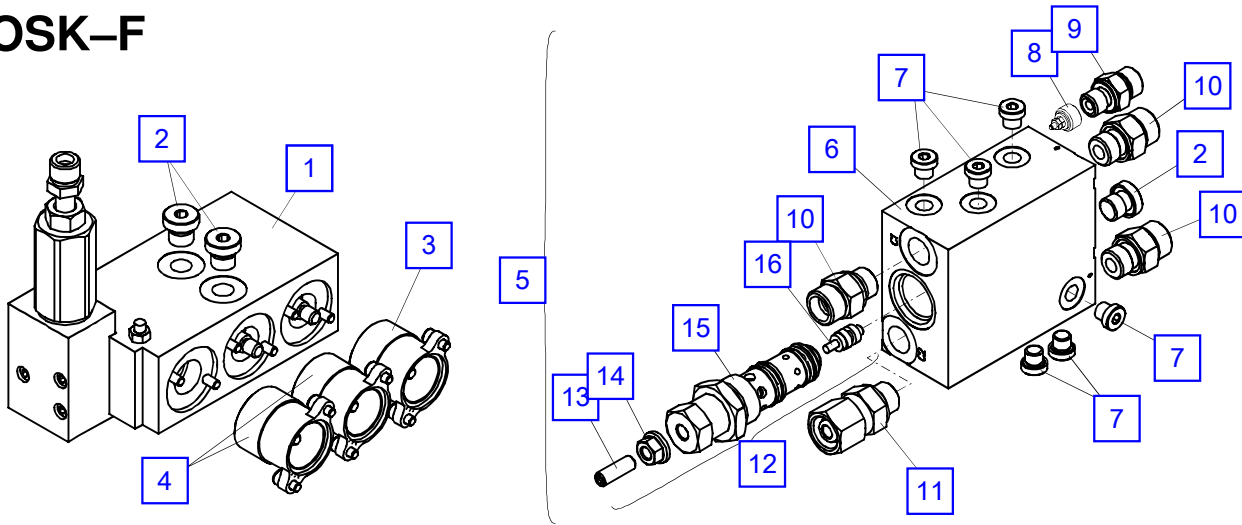
No.	Spare part	Qty.	Description	Dimension
1	ES 265	2	Screw	M 8x20 ISO4762- 8.8
2	EK 003	2	Washer	D 8.4 ISO7089
3	HH 409		Control lever, black (black)	
3	HH 429	1	Control lever, blue (blue)	
4	HH 431	1	Control lever (Support)	
5	HI 827	1	Control axle	
6	EK 884	3	Cover	
7	HH 430	1	Control lever (Support)	
8	EM 234	2	Nut	M 5
9	HI1543	3	Pin	D20.0xL33.0
10	EK 866	3	Cotter	
11	EK 867	3	Cotter	
12	ES1381	2	Screw	M 5x80 DIN 931
13	HH 408	1	Control lever, black (black)	
13	HH 428	1	Control lever, blue (blue)	
14	HSV 210		Control rod	
15	HI2603		Pin	
16	EQ 116		Safety washer	D4 DIN6799
17	HH 427	1	Control lever (Support)	
18	HH 425	1	Control lever, blue (blue)	
18	HH 411		Control lever, black (black)	
19	HI2907	2	Pin	
20	EK 868	1	Pin locking	
21	HH 426	1	Control lever (Support)	
22	HH 410	1	Control lever, black (black)	
22	HH 424	1	Control lever, blue (blue)	
23	HH 420	4	Control lever, cpl.	
24	HSV 209		Control rod	
25	EM 014	4	Nut	DIN 985-8 M 6
26	EK 043	3	Washer	D 6.4 DIN 134
27	ES 080	3	Screw	M 6x35 DIN 6912
28	HI2735	1	Control axle	
29	HH 423		Control lever	
30	ES 105	1	Screw	M 6x40 ISO4762 10.9
31	HA6509	1	Bearer	
32	HH 422	1	Control lever	
33	EK 871	1	Handle, black	
34	ES 051	4	Screw	M 8x16 DIN 7984 8.8
35	EK 871	1	Handle, black	
36	HH 419	1	Control lever	
37	EM 018	1	Nut	M5 DIN 934
38	EK 560	1	Disc spring	

Control system

No.	Spare part	Qty.	Description	Dimension
39	ES 578	1	Screw	M05x090

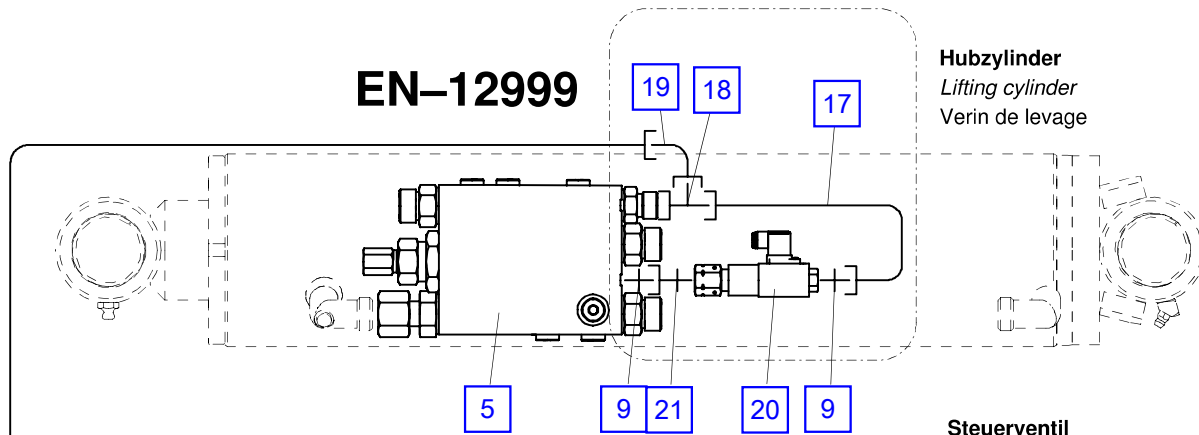
this page is intentionally left blank

OSK-F

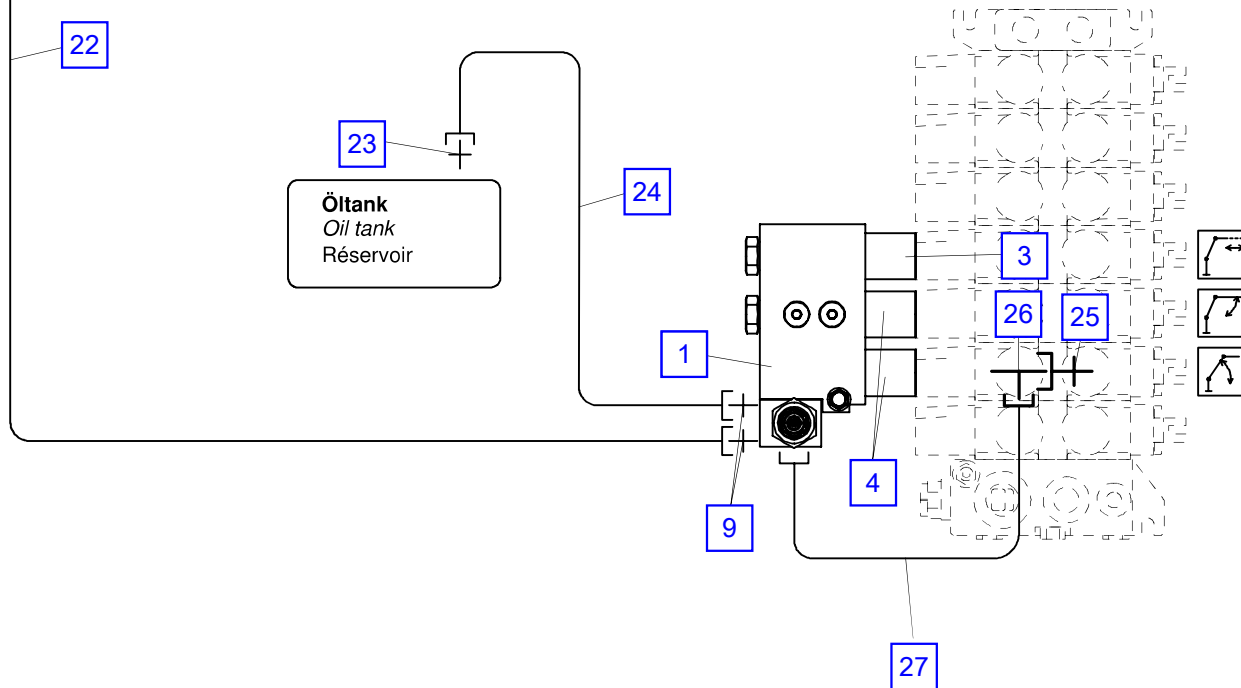


EN-12999

Hubzylinder
Lifting cylinder
Verin de levage

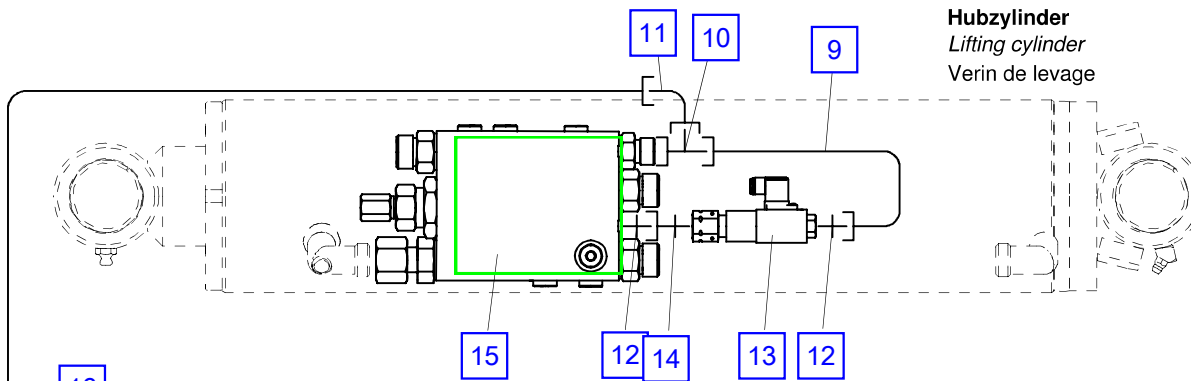
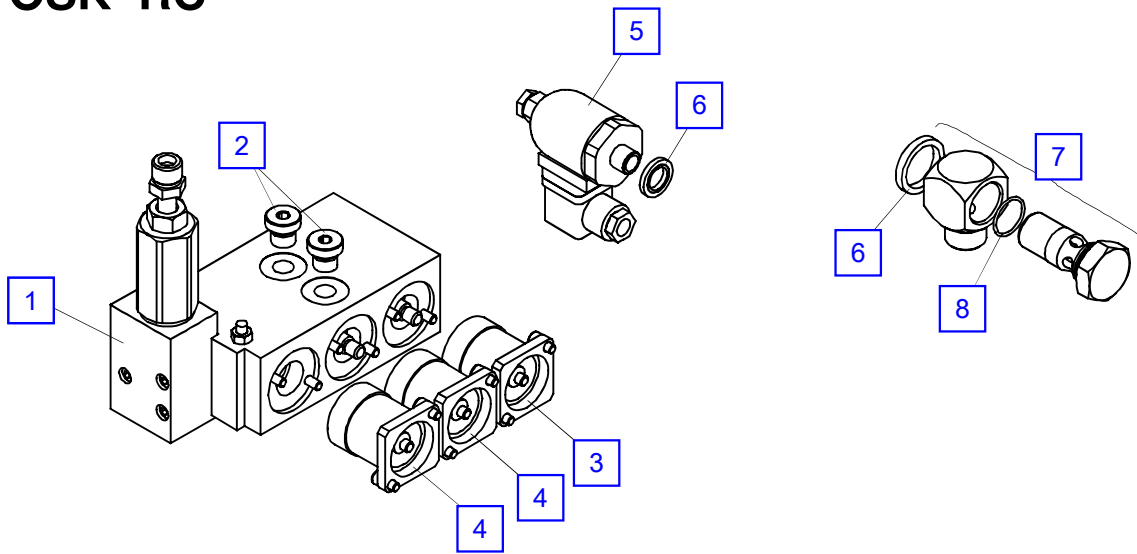


Steuerventil
Control valve
Distributeur de commande

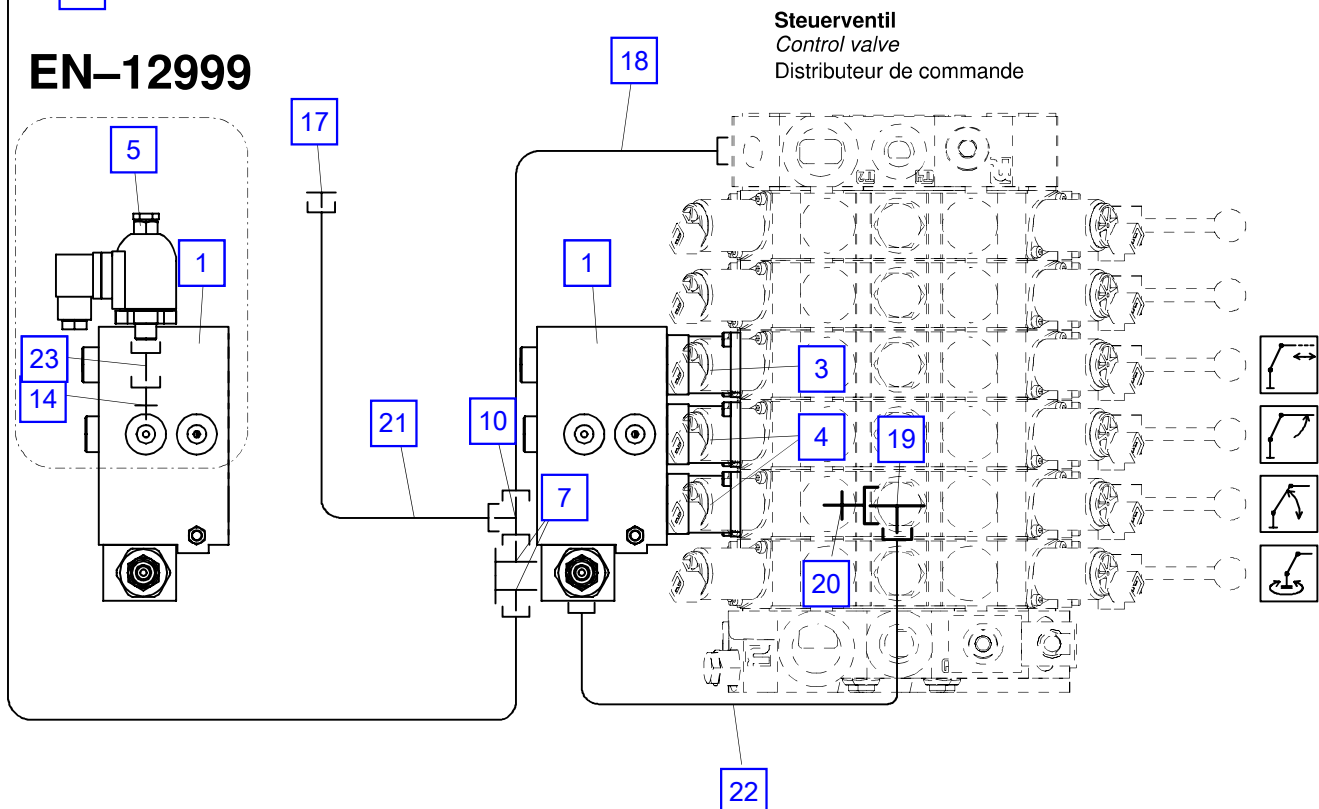


No.	Spare part	Qty.	Description	Dimension
1	EV4452	1	Overload bloc	
	TD 946	1	Seal kit	
	TD 947		Seal kit (for EV4452)	
2	EA 236	3	Locking screw	VSTI R 1/4"
3	EV4500	1	Adapter	RS 210
4	EV4453	2	Adapter	RS 210
5	UV431-330	1	Load holding valve	
6	HG 171	1	Housing	
7	EA 423	6	Locking screw	VSTI R 1/8"
8	EV 330	1	Hose break valve	R1/4"
9	EA 089	5	Fitting	GE 8S R1/4"-ED
10	EA 039	3	Fitting	GE 12S R3/8"-ED
11	EA 201	1	Fitting	EGE 12S R3/8-ED
12	EV 612	1	Valve cartridge	
	TD 204	1	Undefined	
13	ES1036	1	Set screw	M 8x20 DIN 916
14	EM 199	1	Sealing nut	M 8x1.5
15	EV2151	1	Pressure relief valve	
	TD 853	1	Seal kit	
16	EV2152	1	Pressure compensator	
17	HLR 9841	1	Pipe	D 8
18	EA 091	1	L-Coupling	EL 8 S
19	EA 263	1	Angle fitting	EW 08S
20	UV097A	1	Pressure switch	
21	EA 151	1	Fitting	EGE 8 S R1/4"
22	EH1122	1	Hose	NW 6x4100
23	EA1052	1	Fitting	GE 8 S R3/8"
24	EH1343	1	Hose	NW 6x700
25	EA 260	1	Fitting	EGE 12 S R1/2"
26	EA1334	1	Fitting	TR 12/08/12S
27	HLR 9051	1	Pipe	D 8

OSK-RC

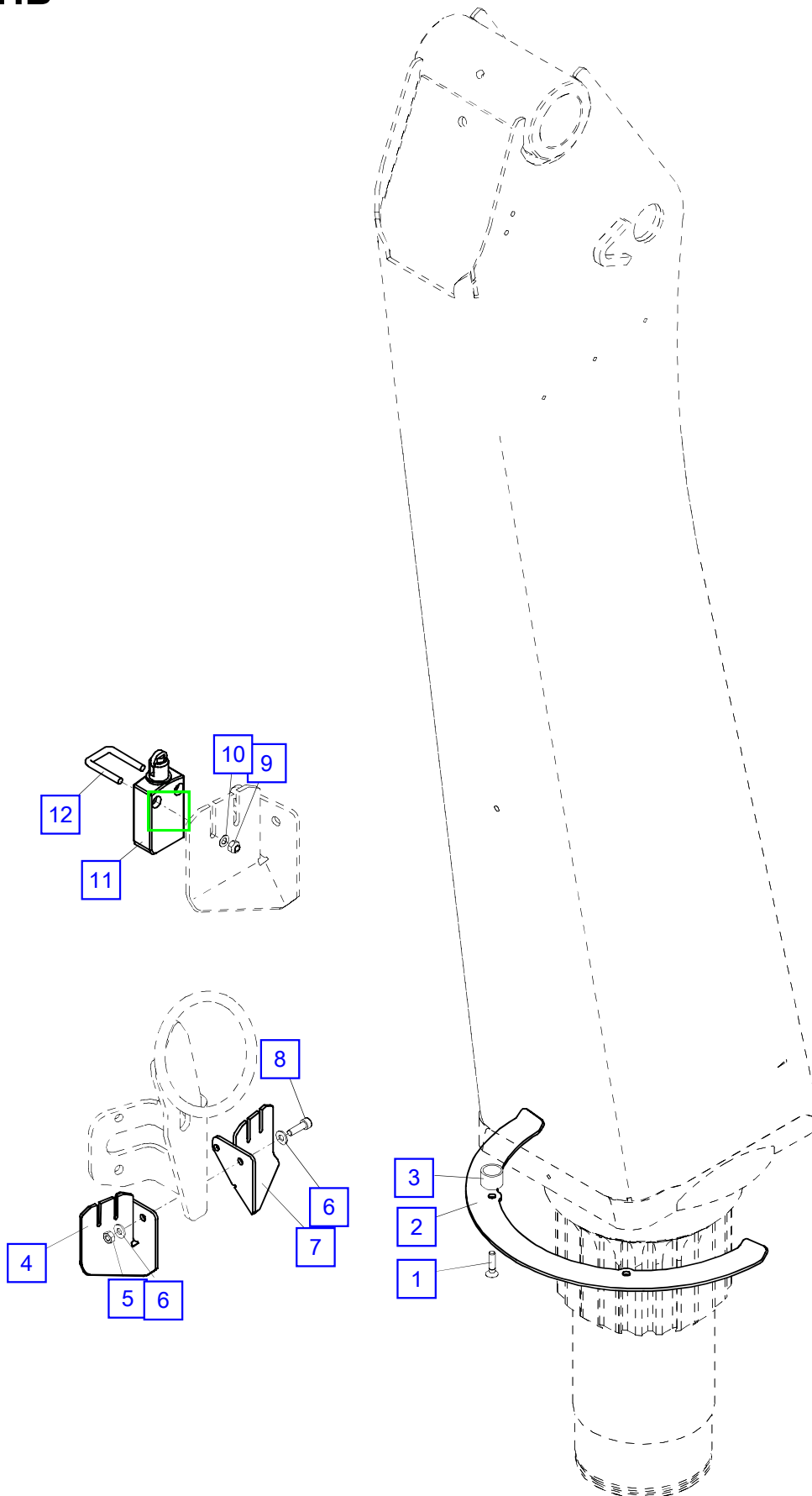


EN-12999

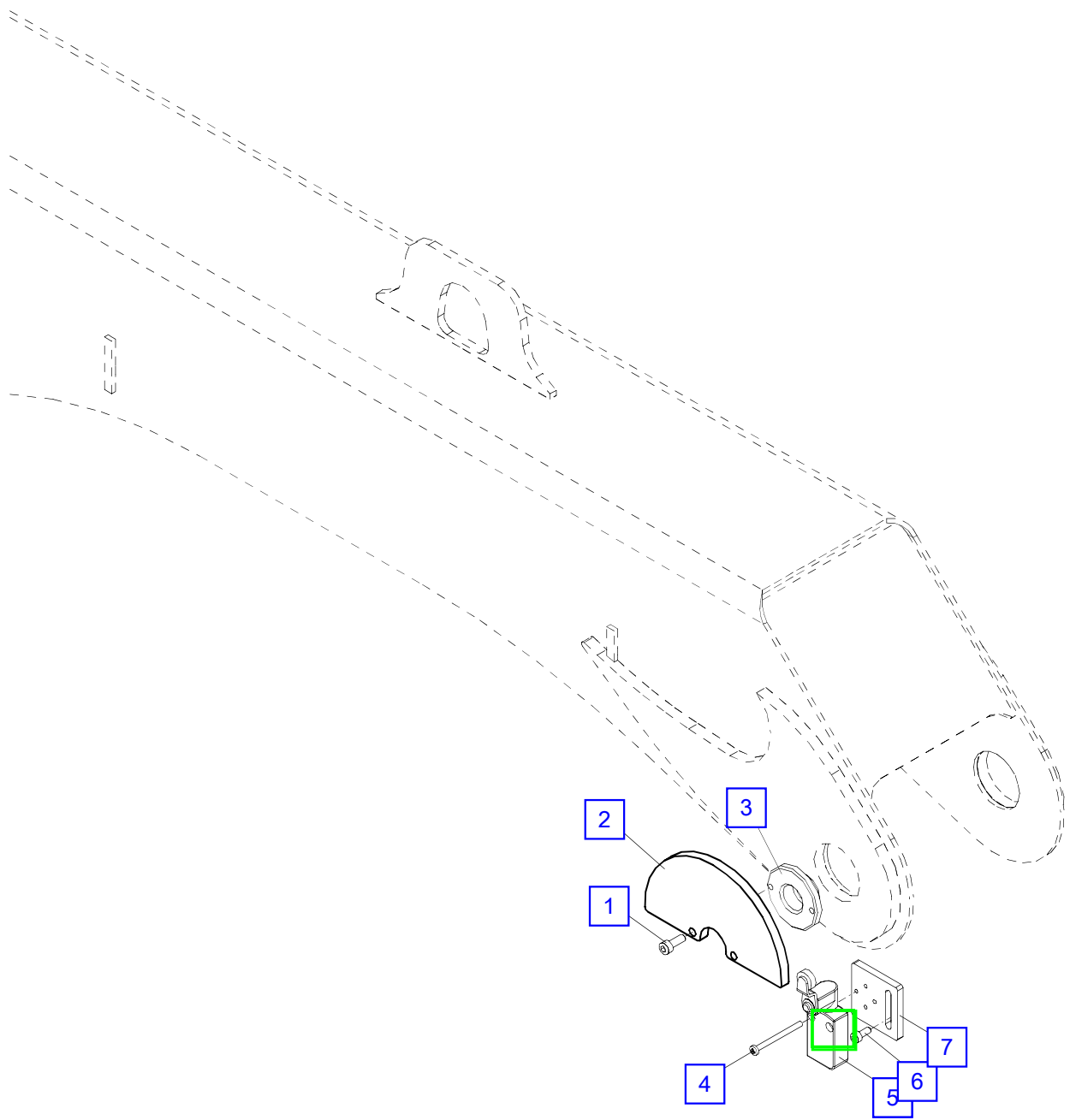


No.	Spare part	Qty.	Description	Dimension
1	EV4452	1	Overload bloc	
	TD 946	1	Seal kit	
	TD 947		Seal kit (for EV4452)	
2	EA 236	2	Locking screw	VSTI R 1/4"
3	EV4501	1	Adapter	RSQ 240
4	EV4454	2	Adapter	RSQ 240
5	EEA1194	1	Pressure switch	30-400 bar
6	ED 619	2	Sealing ring	KD 1/4"
7	EA 282	2	Adaptor	WH 8 S R1/4"
8	EO 906	1	O-ring	D 12,5x1,5
9	HLR 9841	1	Pipe	D 8
10	EA 091	2	L-Coupling	EL 8 S
11	EA 263	1	Angle fitting	EW 08S
12	EA 089	2	Fitting	GE 8S R1/4"-ED
13	UV097A	1	Pressure switch	
14	EA 151	1	Fitting	EGE 8 S R1/4"
15	UV431-330	1	Load holding valve (page 030.0100)	
16	EH1122	1	Hose	NW 6x4100
17	EA1462	1	Blanking part	ROV-8S
18	EH1924	1	Hose	NW 6x410
19	EA1334	1	Fitting	TR 12/08/12S
20	EA 260	1	Fitting	EGE 12 S R1/2"
21	EH1343	1	Hose	NW 6x700
22	HLR 8846	1	Pipe	D 8
23	EA 755	1	Pressure gauge connection	MAV 8S 1/4"

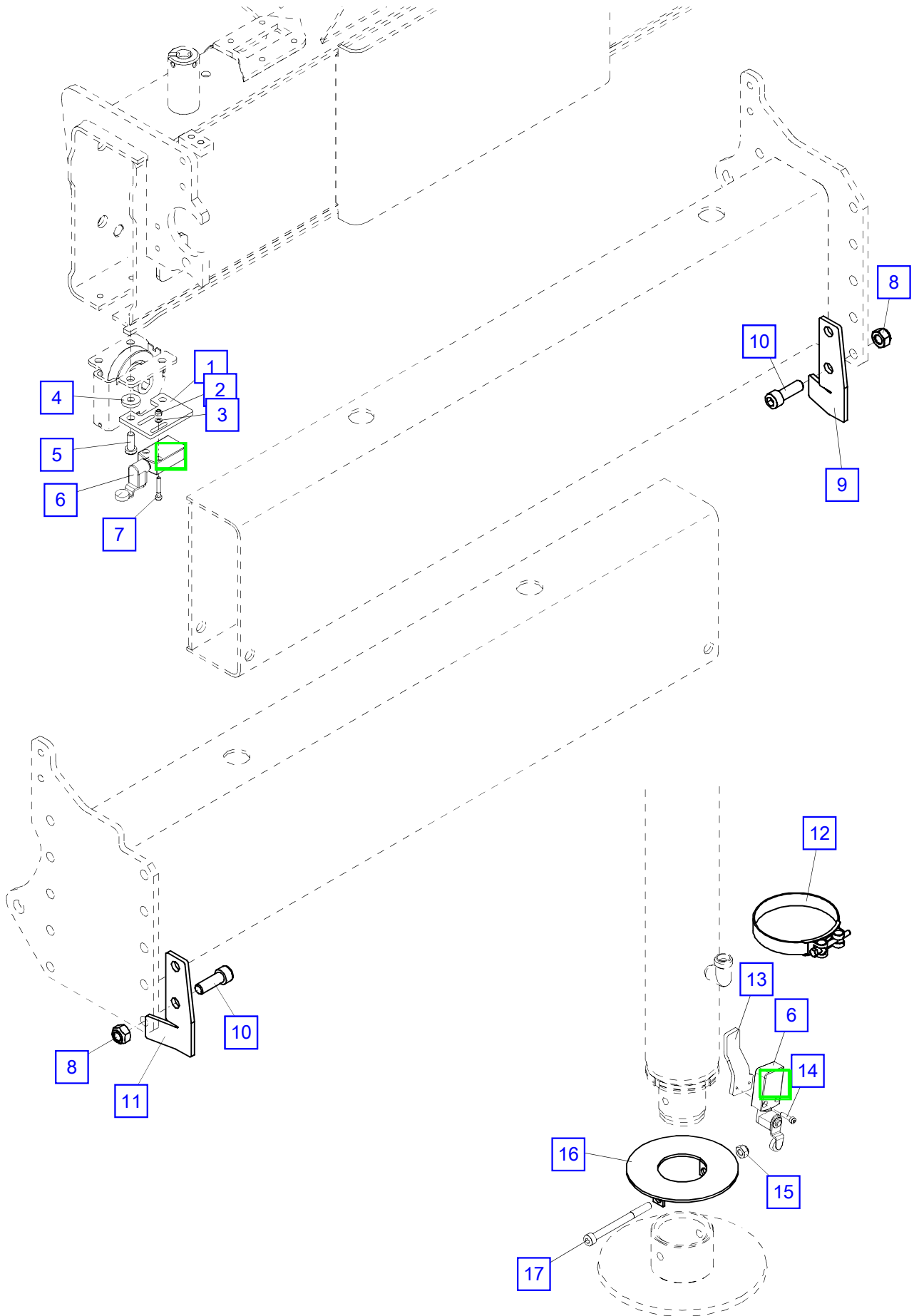
SHB



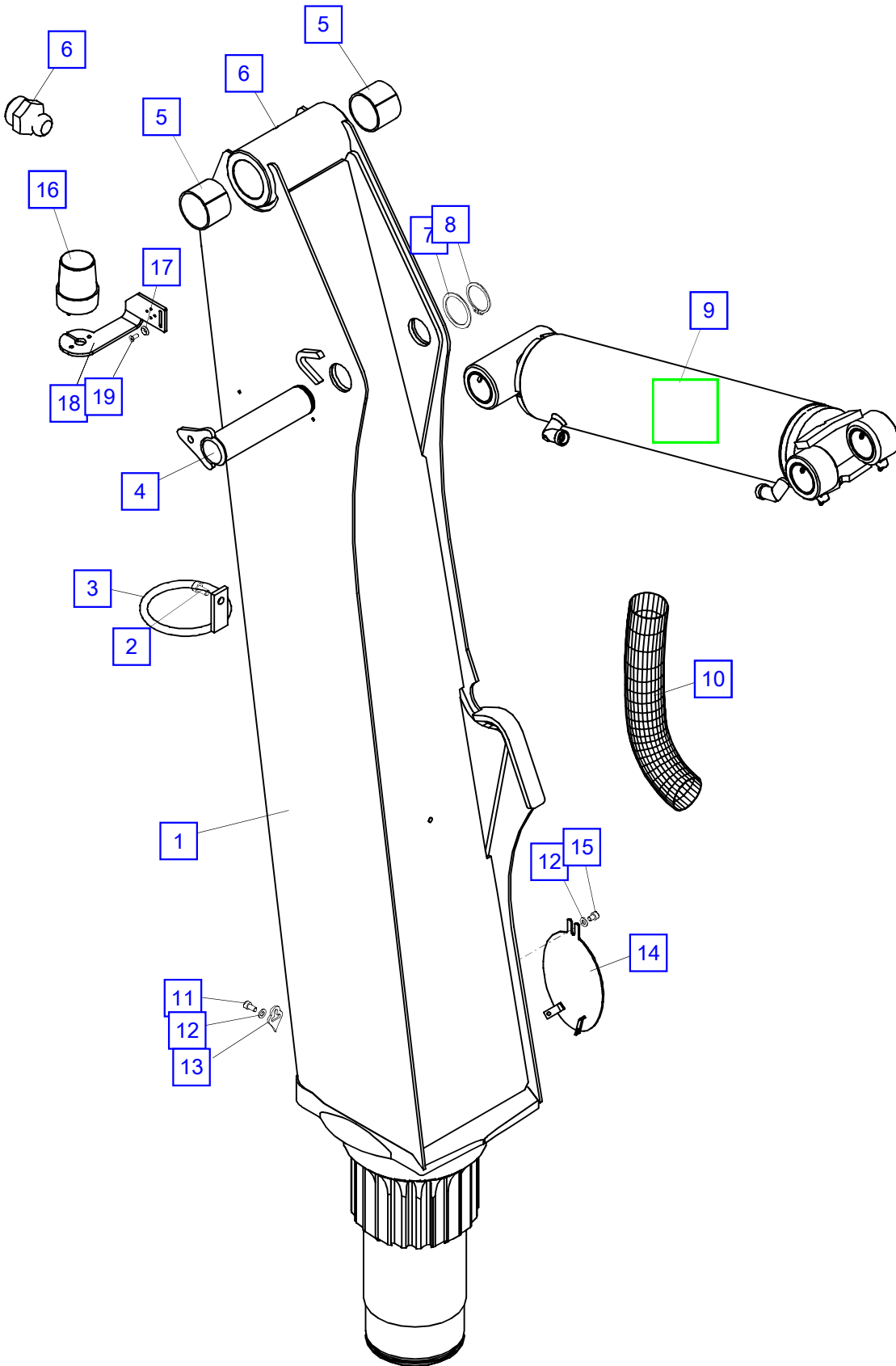
No.	Spare part	Qty.	Description	Dimension
1	ES1330	2	Screw	M 6x25 ISO14581- 8.8
2	HT6348	1	Plate	
3	HBS2884	2	Spacer	l=15 mm
4	HA6551	1	Bearer	
5	EM 004	2	Nut	DIN 934 M6 CL8 ZB
6	EK 043	4	Washer	D 6.4 DIN 134
7	HA6550	1	Bearer	
8	ES 019	2	Screw	M 6x20 ISO4762-10.9
9	EM 154	4	Nut	DIN 985 M4 CL8 ZB
10	EK 124	4	Washer	D 4,3 ISO7092-140HV
11	EEA...	2	Receiver (page 030.0400) (look ELEKTRIK)	
12	HIG 459	2	Fixing stirrup	



No.	Spare part	Qty.	Description	Dimension
1	ES 175	2	Screw	M 6x16 ISO4762- 8.8
2	HT7001	1	Bracket	
3	HB 335	1	Cover	
4	ES 450	2	Screw	M 4x50 DIN 84
5	EEA...	1	Receiver (look ELEKTRIK) (page 030.0400)	
6	ES 061	2	Screw	M 5x12 ISO4762- 8.8
7	HT7003	1	Bracket plate	



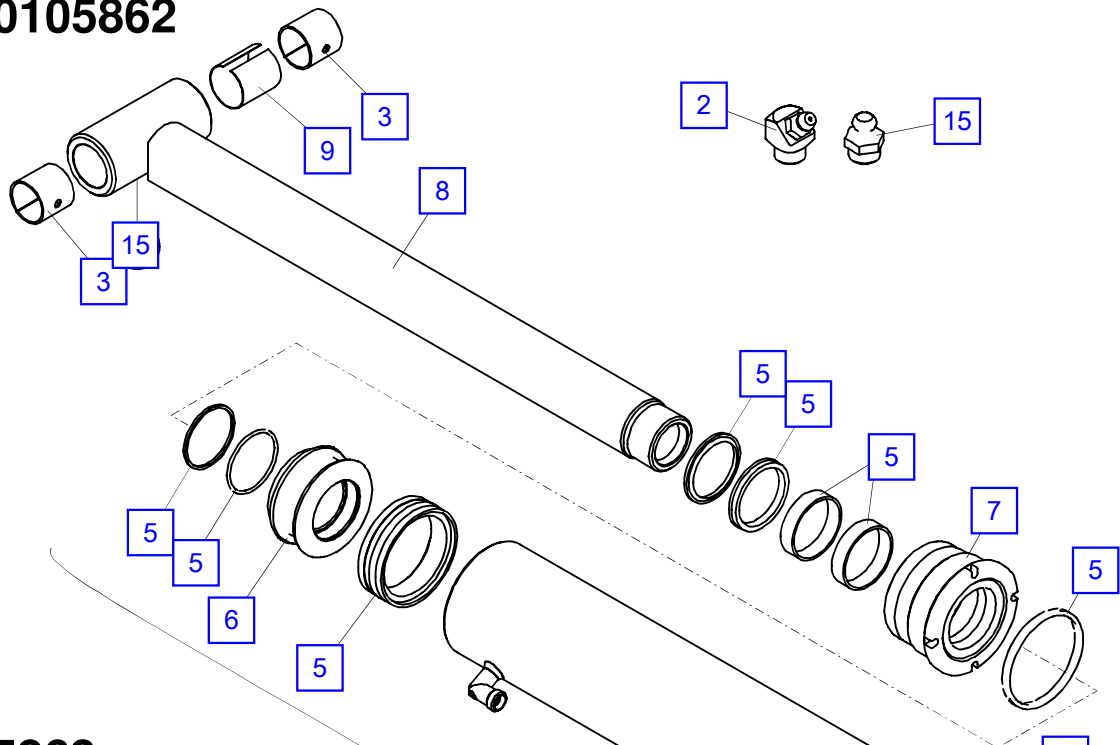
No.	Spare part	Qty.	Description	Dimension
1	HT3449	2	Bearer	
2	EM 154	4	Nut	DIN 985 M4 CL8 ZB
3	EK 124	4	Washer	D 4,3 ISO7092-140HV
4	EK 044	4	Washer	D 8 DIN 7349
5	ES 308	4	Screw	M 8x20 DIN7984- 8.8
6	EEA...	4	Receiver (look ELEKTRIK) (page 030.0400)	
7	ES 791	4	Screw	M 4x25 ISO4762- 8.8
8	EM 023	4	Nut	M 12 DIN 985
9	HA4796	1	Stop buffer	
10	ES 157	4	Screw (STZS)	M 12x35 ISO4762-10.9
10	ES 655	4	Screw (STZY)	M 12x40 DIN 933
11	HA4797	1	Stop buffer	
12	EZ2059	2	Hose clip	
13	HA7143	2	Bearer	
14	ES 853	4	Screw	M 4x16 ISO4762- 8.8
15	EM 026	2	Nut	DIN 985 M8
16	HXE2237	2	Stop buffer	
17	ES1160	2	Screw	M 8x90 DIN 912



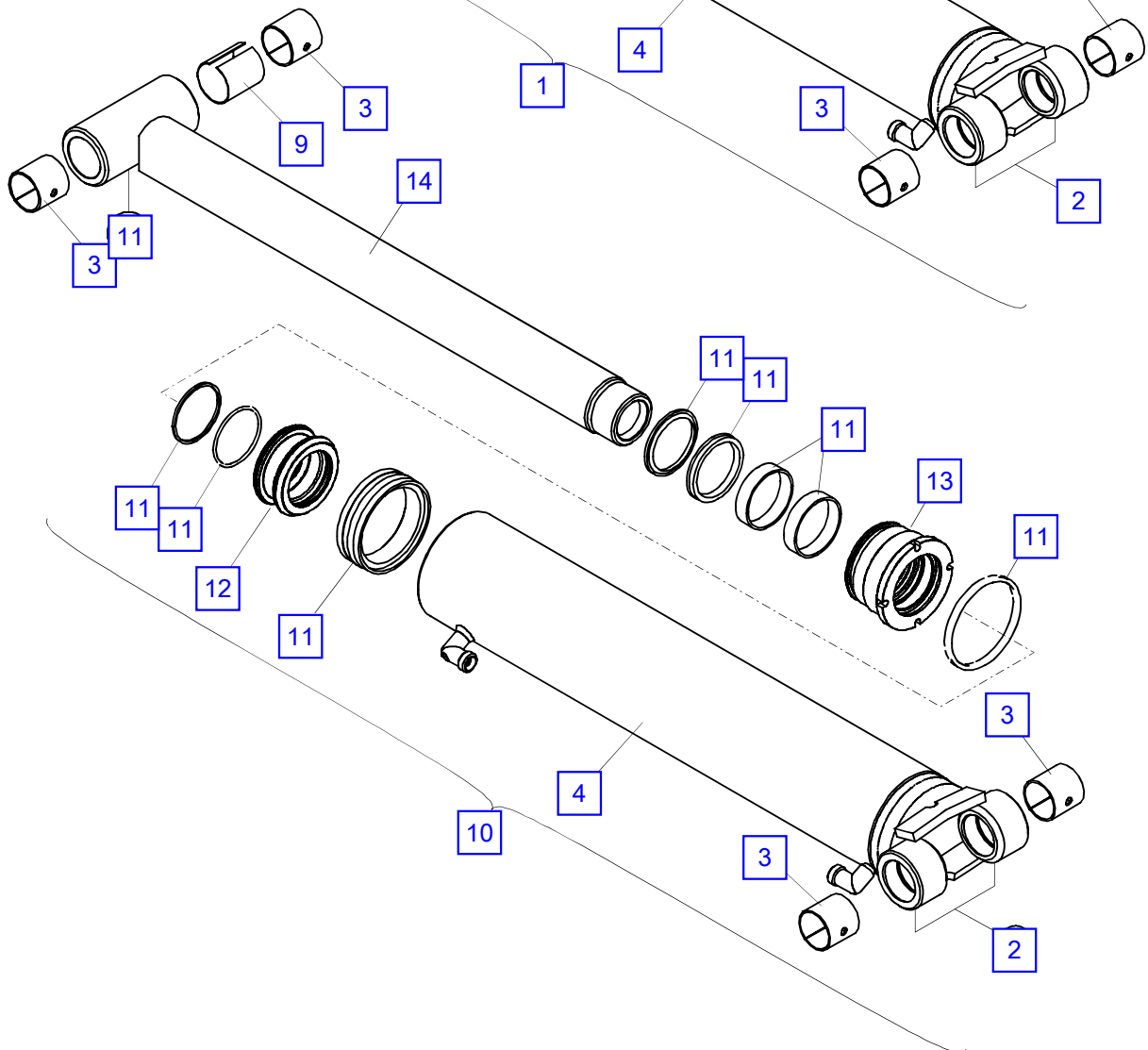
No.	Spare part	Qty.	Description	Dimension
1	S104S01SC	1	Crane column	h=1406 mm
2	ES 264	1	Screw	M 8x16 ISO4762- 8.8
3	HXL 020	1	Hose ring	d=100 mm
4	HI2836	1	Pin	D 40x159 mm
5	ELG 002	2	Bearing bush	D 50x55x40
6	EA 005	1	Grease nipple	M10x1 DIN71412
7	HBS1280	1	Spacer	1.5 mm
8	EQ 036	1	Circlip	D 40 DIN 471
9	UP1554+00001 -->100105862	1	Lifting cylinder (page 040.0200)	
9	UP1554A 100105863-->	1	Lifting cylinder (page 040.0200)	
10	EH 617	1	Protection hose (Boom extensions ram)	NW 50x1400
10	EH1174	1	Protection hose (F)	NW 102x2500
10	EH2251	1	Protection hose (Main boom)	NW 102x800
11	ES1150	1	Screw	M 6x12 ISO4762- 8.8
12	EK 190	2	Washer	d=6.4 ISO7089
13	HT7778	1	Folding arrow	
14	HXE2960	1	Cover	
15	ES 126	1	Screw	M 6x8 ISO4762 8.8
16	EEA5440	1	Light, green	5 m
16	EEA5441	1	Light, green	8 m
17	EK 567	2	Washer	D 6
18	HA9353	1	Bearer	L0236.3xB0116xS006
19	ES 418	2	Screw	M 6x16 ISO14581- 8.8

Lifting cylinder

—>100105862

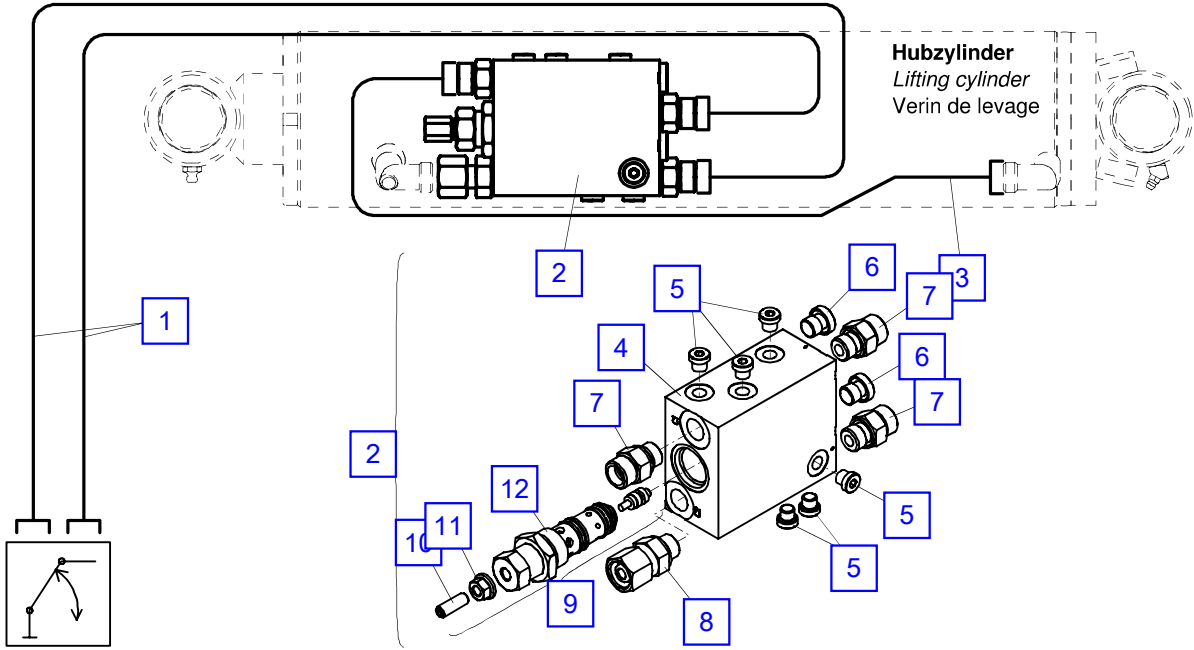


100105863—>

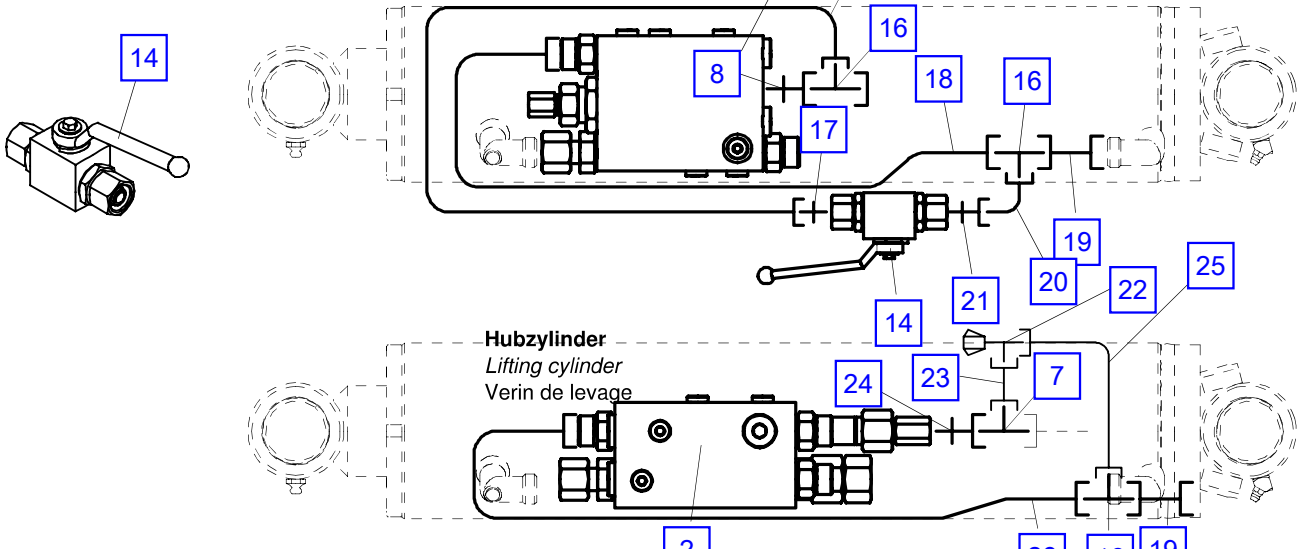
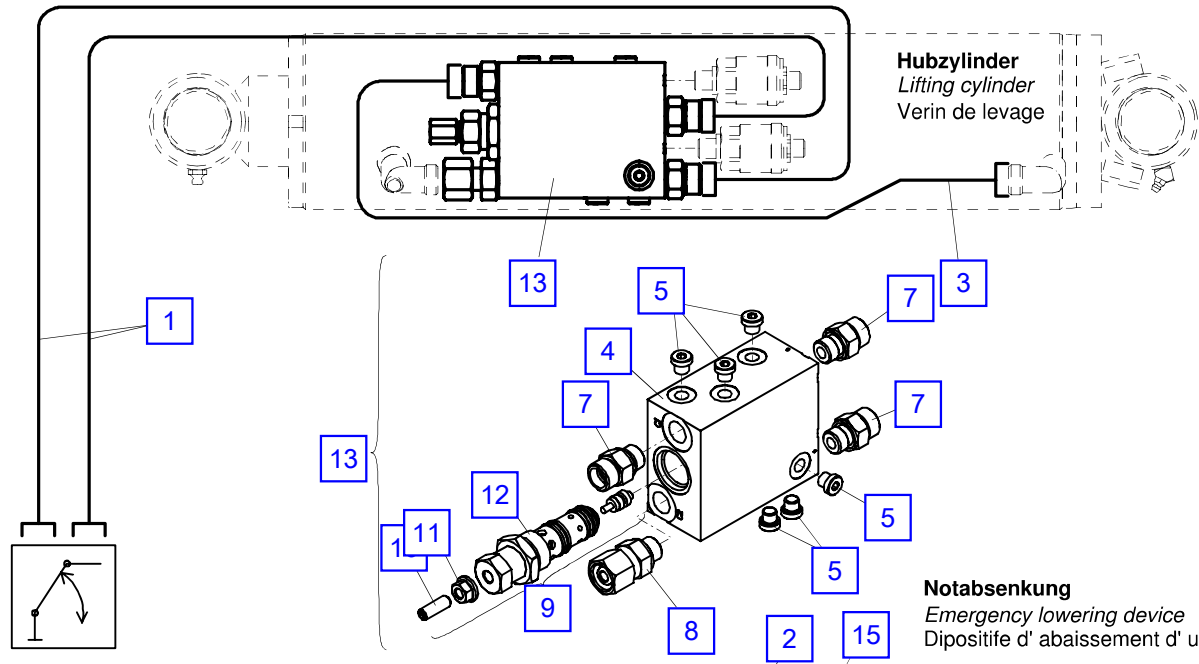


No.	Spare part	Qty.	Description	Dimension
1	UP1554+00001	1	Lifting cylinder	
2	EA 558	4	Grease nipple	M 10x1 DIN71412
3	ELG 179	8	Bearing bush	D 40x44x40
4	HY1417	2	Cylinder tube	
5	TD 626	1	Seal kit	
6	HK 186	1	Piston	D100xL050.0 M056x2.5
7	HV 423	1	Cylinder nut	M104x2.0 d060xL070
8	HSK1272	1	Piston rod	
9	HBD 217	2	Spacer	L0125.0xB0049xS001
10	UP1554A	1	Lifting cylinder	
11	TD 626A	1	Seal kit	
12	HK 780	1	Piston	D100xL045.0 M067x2.0
13	HV 598A	1	Cylinder nut	M104x2.0 d070xL070
14	HSK1272A	1	Piston rod	
15	EA 005	1	Grease nipple	M10x1 DIN71412

Pipes-Lifting cylinder



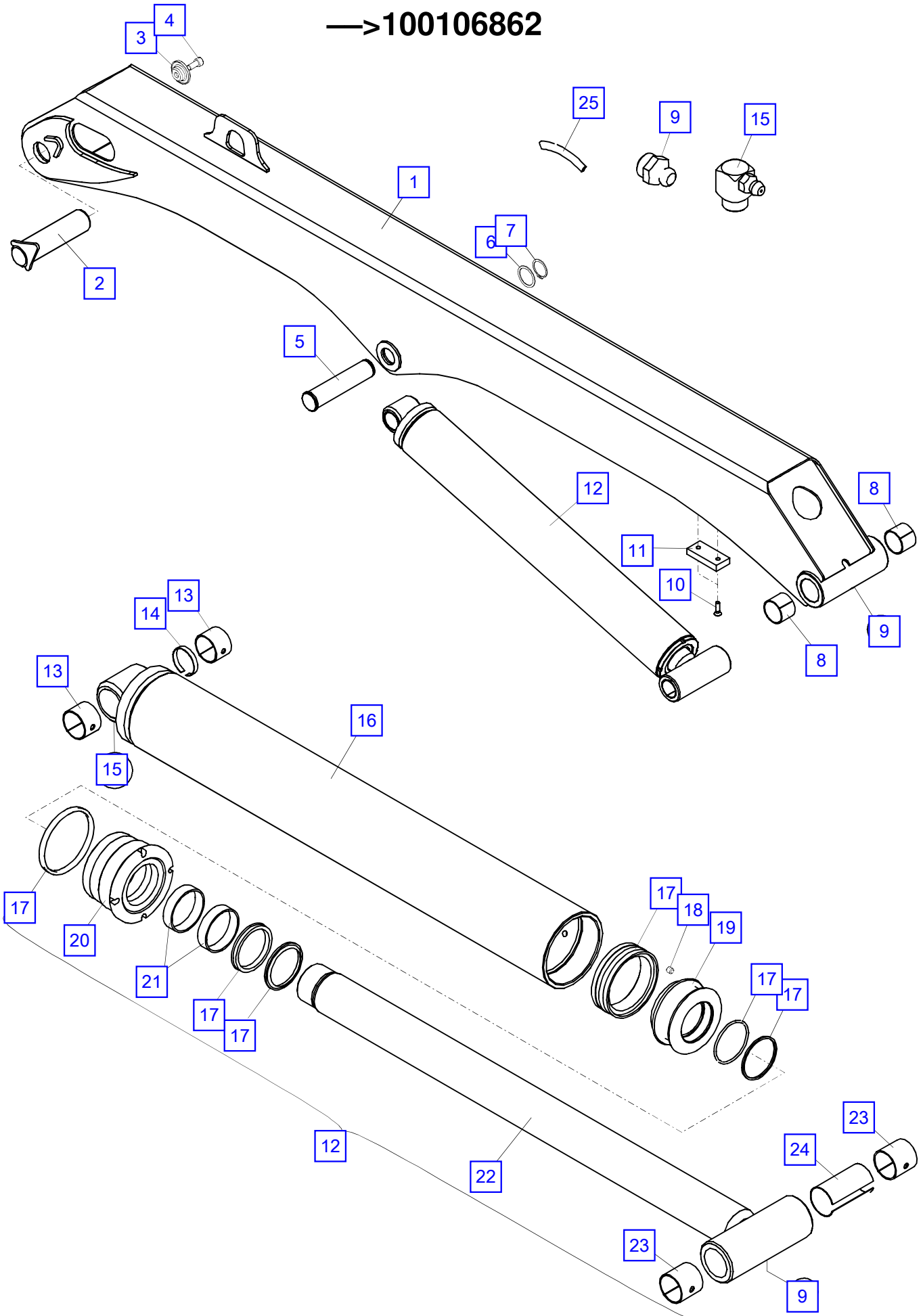
PALTRONIC



No.	Spare part	Qty.	Description	Dimension
1	EH6077	2	Hose	NW 8x3800
2	UV439-330	1	Load holding valve	
3	HLR 9026	1	Pipe	D 12
4	HG 171	1	Housing	
5	EA 423	6	Locking screw	VSTI R 1/8"
6	EA 236	2	Locking screw	VSTI R 1/4"
7	EA 039	3	Fitting	GE 12S R3/8"-ED
8	EA 201	2	Fitting	EGE 12S R3/8-ED
9	EV 612	1	Valve cartridge	
	TD 204	1	Undefined	
10	ES1036	1	Set screw	M 8x20 DIN 916
11	EM 199	1	Sealing nut	M 8x1.5
12	EV2151	1	Pressure relief valve	
	TD 853	1	Seal kit	
13	UV438-330	1	Load holding valve	
14	EV 661	1	Ball cock	
15	HLR 9460	1	Pipe	D 8
16	EA1334	2	Fitting	TR 12/08/12S
17	EA 089	1	Fitting	GE 8S R1/4"-ED
18	HLR 9459	1	Pipe	D 12
19	EA 784	1	Fitting	GZ 12 S
20	EA 263	1	Angle fitting	EW 08S
21	EA 151	1	Fitting	EGE 8 S R1/4"
22	EV5325	1	Shut-off cock	
23	EA 782	1	Fitting	GZ 8 S
24	EA 201	1	Fitting	EGE 12S R3/8-ED
25	HLR13951	1	Pipe	D 8
26	HLR13505	1	Pipe	D 12

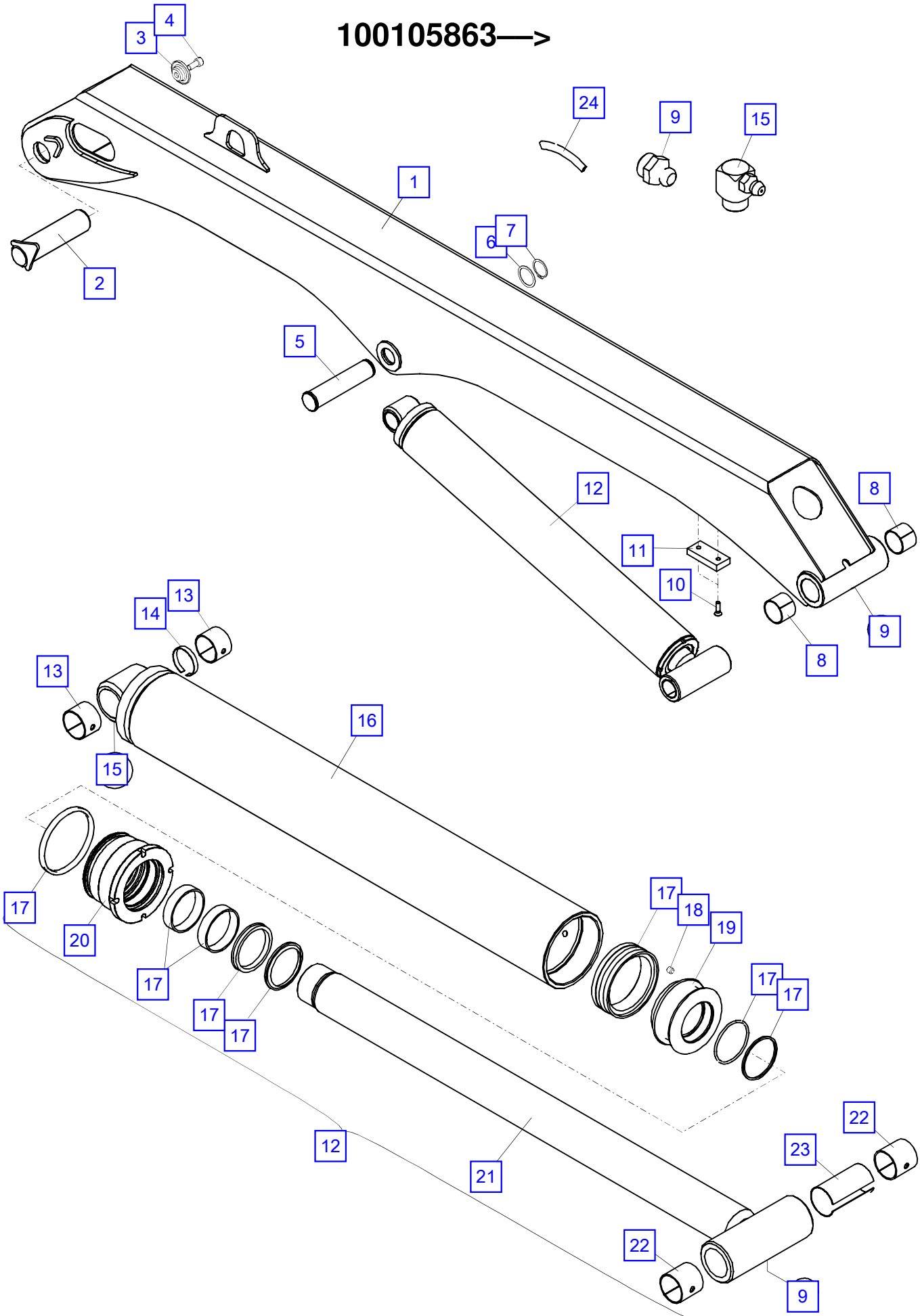
Main boom

→ 100106862



No.	Spare part	Qty.	Description	Dimension
1	S108H01-A	1	Main boom	
2	HIG 337	1	Pin	
3	HD 398	1	Washer	
4	ES 041	1	Screw	M 12x25 ISO4762-10.9
5	HI2859	1	Pin	D=40 L=170
6	HBS1280	1	Spacer	1.5 mm
7	EQ 036	1	Circlip	D 40 DIN 471
8	ELG 002	2	Bearing bush	D 50x55x40
9	EA 005	2	Grease nipple	M10x1 DIN71412
10	ES 216	1	Screw	M 8x30 ISO14581- 8.8
11	HTR3956	1	Stop buffer	15 mm
11	HTR3920	1	Stop buffer	10 mm
12	UP1597+00001 -->100105862	1	Outer boom ram	
13	ELG 004	2	Bearing bush	D 44x40x30
14	HBD 102	1	Spacer	
15	EA 023	1	Grease nipple	M 10x1 DIN 71412
16	HY1432	1	Cylinder tube	
17	TD 626	1	Seal kit (+21)	
18	ES 030	1	Set screw	M 8x8 DIN 913
19	HK 186	1	Piston	D100xL050.0 M056x2.5
20	HV 423	1	Cylinder nut	M104x2.0 d060xL070
21	EG 052	2	Guide ring	65 X 60 X 15
22	HSK1294	1	Piston rod	
23	ELG 179	2	Bearing bush	D 40x44x40
24	HBD 324	1	Spacer	
25	EZ 578		Edge protection (metro goods) (sold by the meter)	4-6 mm

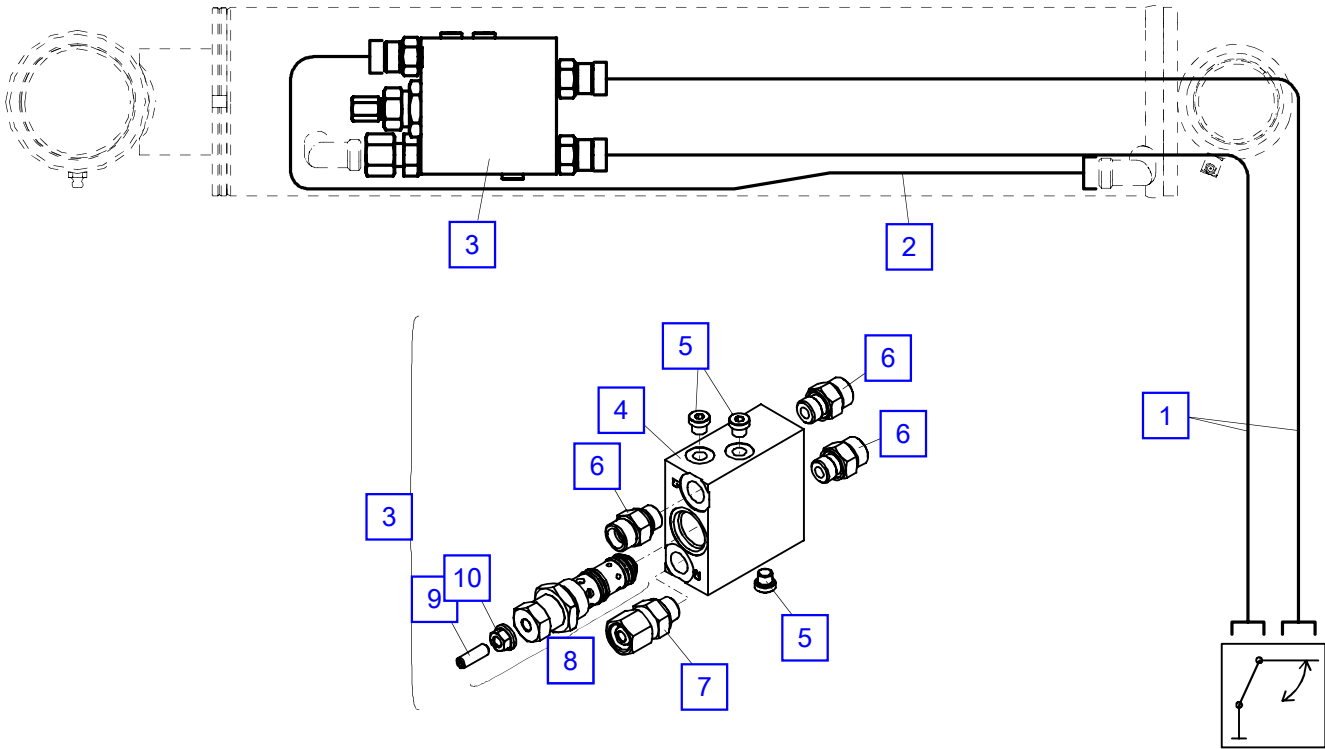
Main boom



No.	Spare part	Qty.	Description	Dimension
1	S108H01-A	1	Main boom	
2	HIG 337	1	Pin	
3	HD 398	1	Washer	
4	ES 041	1	Screw	M 12x25 ISO4762-10.9
5	HI2859	1	Pin	D=40 L=170
6	HBS1280	1	Spacer	1.5 mm
7	EQ 036	1	Circlip	D 40 DIN 471
8	ELG 002	2	Bearing bush	D 50x55x40
9	EA 005	2	Grease nipple	M10x1 DIN71412
10	ES 216	1	Screw	M 8x30 ISO14581- 8.8
11	HTR3956	1	Stop buffer	15 mm
11	HTR3920	1	Stop buffer	10 mm
12	UP1597A 100105863-->	1	Outer boom ram	
13	ELG 004	2	Bearing bush	D 44x40x30
14	HBD 102	1	Spacer	
15	EA 023	1	Grease nipple	M 10x1 DIN 71412
16	HY1432	1	Cylinder tube	
17	TD 626A	1	Seal kit	
18	ES 030	1	Set screw	M 8x8 DIN 913
19	HK 780	1	Piston	D100xL045.0 M067x2.0
20	HV 598A	1	Cylinder nut	M104x2.0 d070xL070
21	HSK1294A	1	Piston rod	
22	ELG 179	2	Bearing bush	D 40x44x40
23	HBD 324	1	Spacer	
24	EZ 578		Edge protection (metro goods) (sold by the meter)	4-6 mm

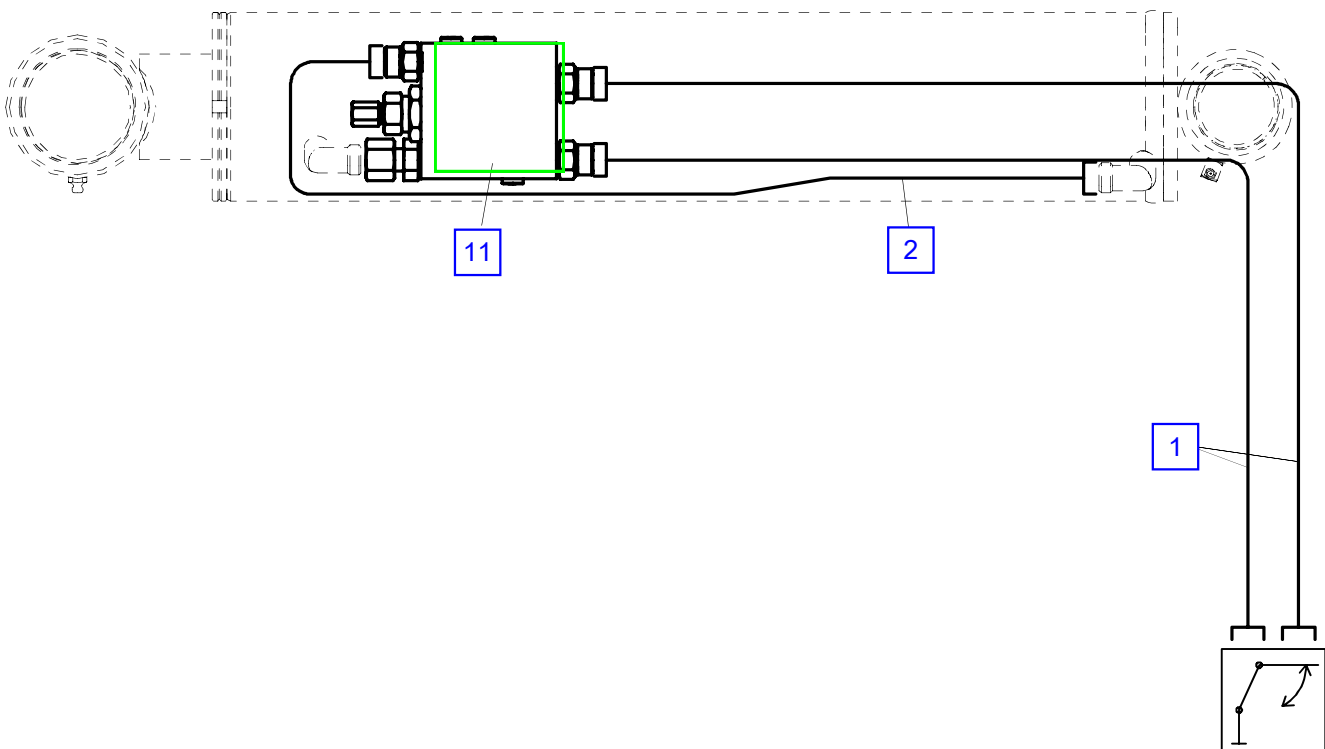
Knickzylinder
Outer boom ram
Verin deuxième bras

(—>0821401)

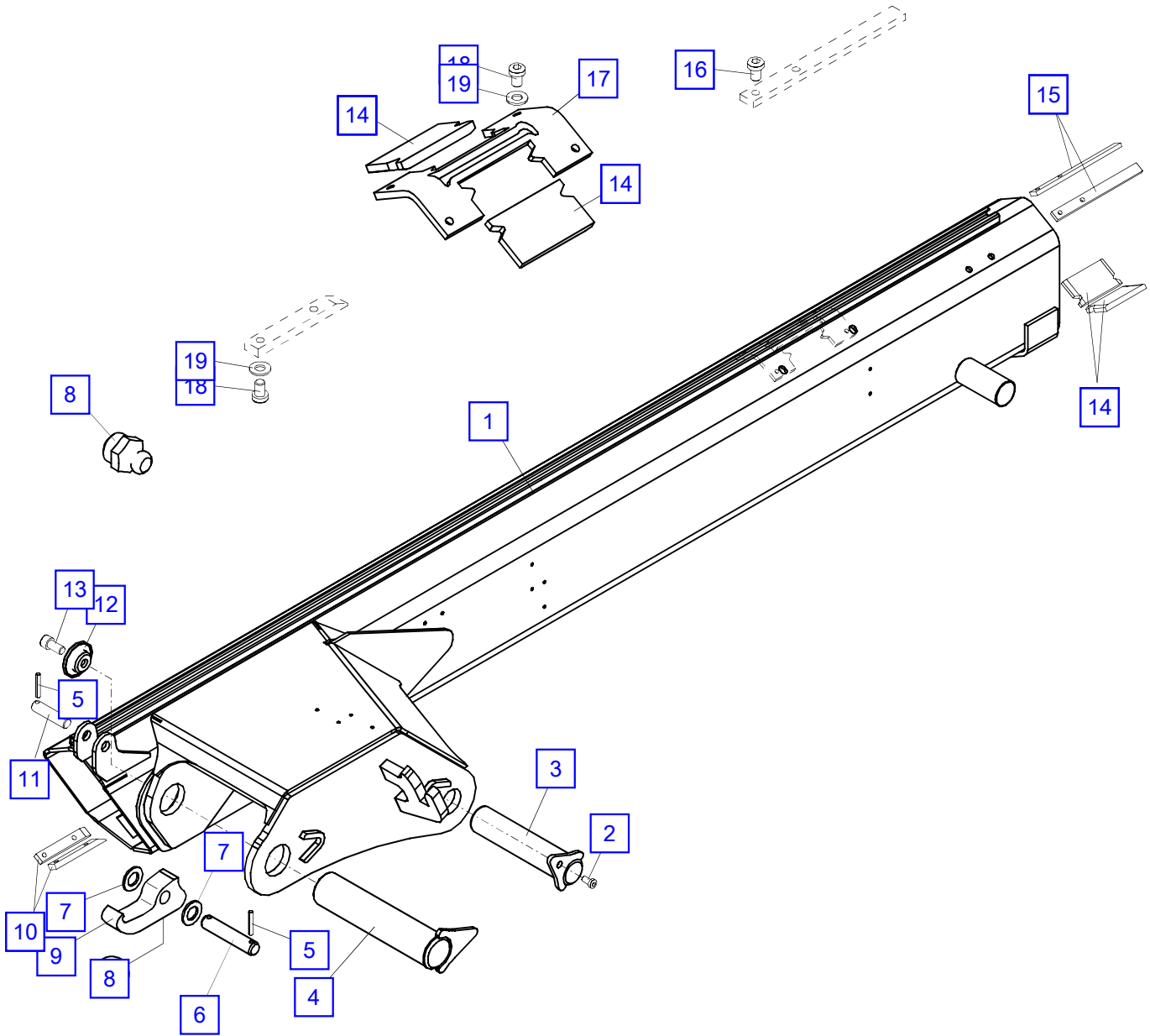


Knickzylinder
Outer boom ram
Verin deuxième bras

(0821402—>)

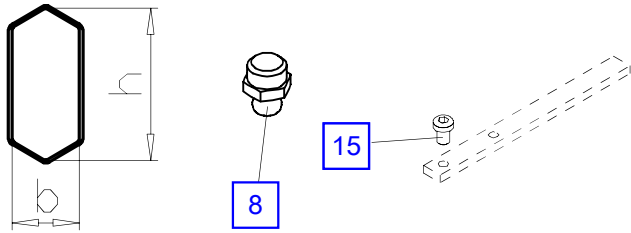


No.	Spare part	Qty.	Description	Dimension
1	EH6078	2	Hose	NW 8x4200
2	HLR 9327	1	Pipe	D 12
3	UV432-340	1	Load holding valve	
4	HG 172	1	Housing	
5	EA 423	3	Locking screw	VSTI R 1/8"
6	EA 039	3	Fitting	GE 12S R3/8"-ED
7	EA 201	1	Fitting	EGE 12S R3/8"-ED
8	EV2151	1	Pressure relief valve	
	TD 853	1	Seal kit	
	TD 204		Undefined (for EV2151)	
9	ES1036	1	Set screw	M 8x20 DIN 916
10	EM 199	1	Sealing nut	M 8x1.5
11	UV439-330	1	Load holding valve (page 030.0400)	

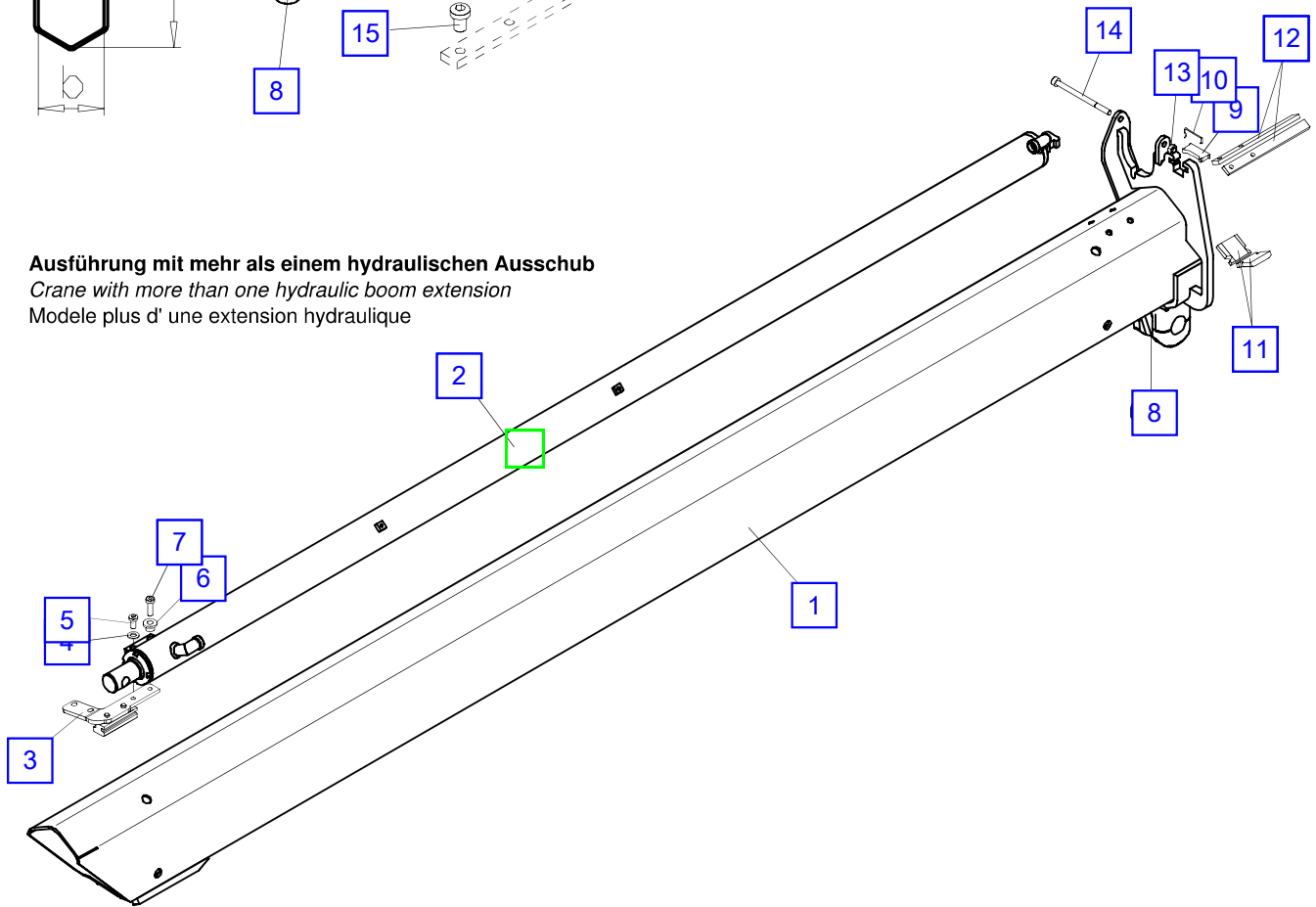


No.	Spare part	Qty.	Description	Dimension
1	S108K01-A	1	Outer boom	
2	ES 051	1	Screw	M 8x16 DIN 7984 8.8
3	HI2824	1	Pin	D40
4	HIG 697	1	Pin	
5	EQ 056	4	Winding pin	D 6x40 DIN 1481
6	HI1575	1	Pin	D020.0xL0079.0
7	EK 176	2	Washer	D021.0xD037.0 ISO7089
8	EA 005	1	Grease nipple	M10x1 DIN71412
9	HT5796	1	Locking hook	
10	HTR 659	2	Guide block	8 mm
10	HTR 837	2	Guide block	6 mm
10	HTR1024	2	Guide block	10 mm
11	HI 513	1	Pin	D016.0xL0065.0
12	HD 398	1	Washer	
13	ES 041	1	Screw	M 12x25 ISO4762-10.9
14	HF 834A	4	Guide block	8 mm
14	HF 835A	4	Guide block	9 mm
14	HF 836A	4	Guide block	10 mm
14	HF 838A	4	Guide block	12 mm
14	HF 835A	4	Guide block	9 mm
14	HF 834A	4	Guide block	8 mm
14	HF 837A	4	Guide block	11 mm
14	HF 838A	4	Guide block	12 mm
14	HF 839A	4	Guide block	13 mm
15	HTR2951	2	Guide block	6 mm
15	HTR2952	2	Guide block	8 mm
15	HTR2953	2	Guide block	10 mm
15	HTR2982	2	Guide block	1 mm
16	ES1082	4	Screw	M 8x12 DIN 7984 8.8
16	ES1089	4	Screw	M 8x10 DIN 7984 8.8
17	HA3302A	1	Bearer	L0161.0xB0089.8xS006
18	ES1082	8	Screw	M 8x12 DIN 7984 8.8
19	EK 003	8	Washer	D 8.4 ISO7089

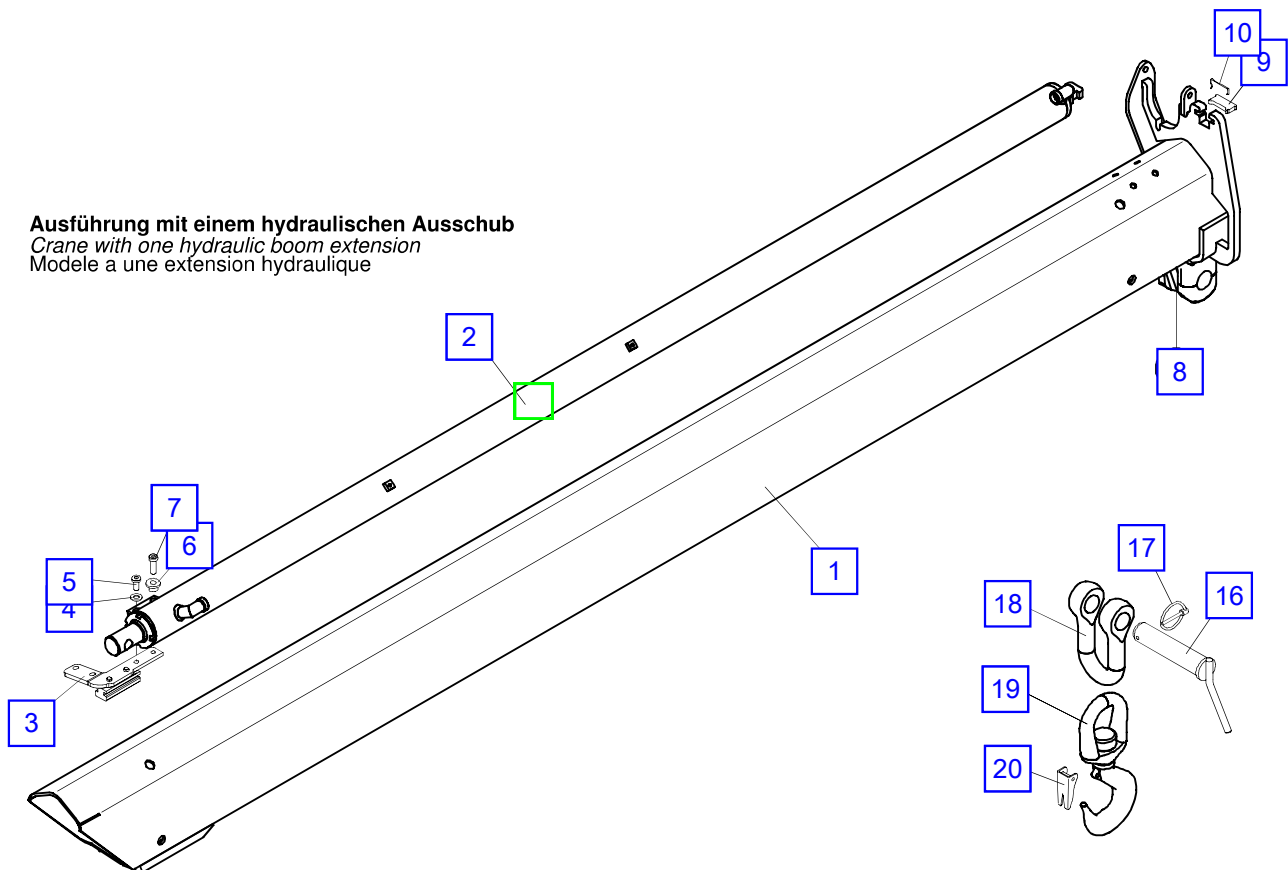
Boom extension 1



Ausführung mit mehr als einem hydraulischen Ausschub
 Crane with more than one hydraulic boom extension
 Modele plus d' une extension hydraulique

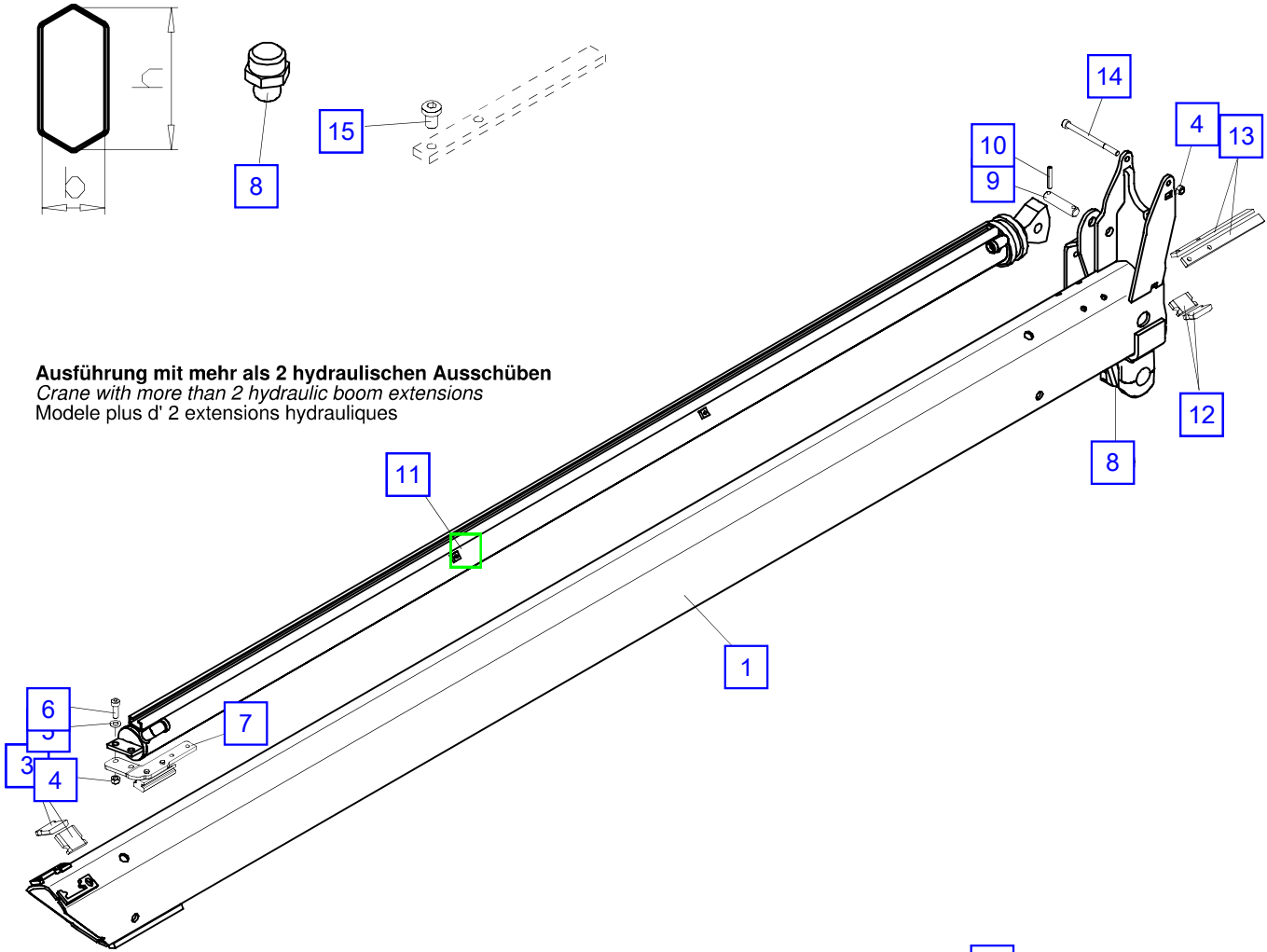


Ausführung mit einem hydraulischen Ausschub
 Crane with one hydraulic boom extension
 Modele a une extension hydraulique

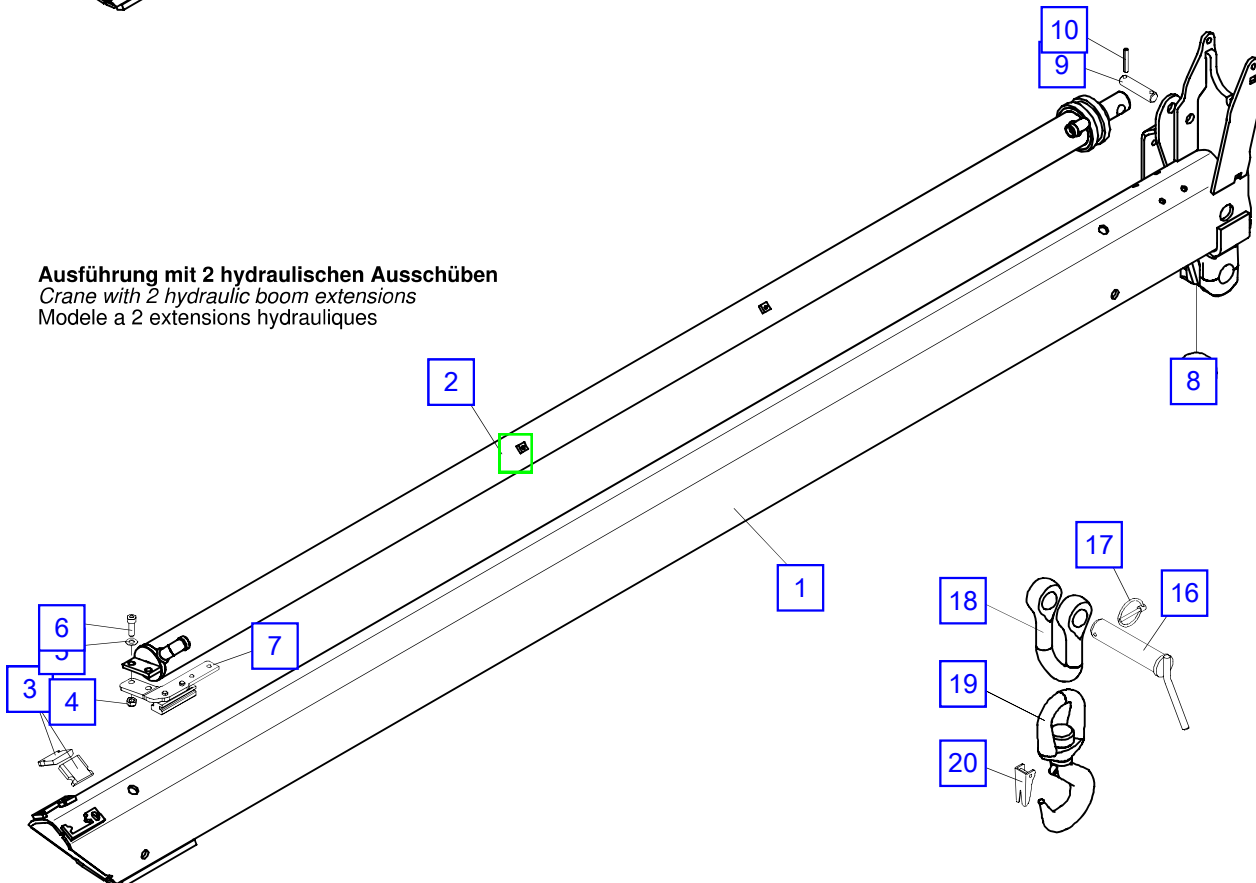


No.	Spare part	Qty.	Description	Dimension
1	S104T01-A	1	Boom extensions	188x100 mm
2	UP1558A -->100105862	1	Extension boom ram-1 (page 070.0400)	Cr
2	UP1558B 100105863-->	1	Extension boom ram-1 (page 070.0401)	Cr
3	HXE1853A	1	Cylinder guide	M 8x25 ISO14581- 8.8
	ES 297	2	Screw	
	EZ2758	1	Guide block	
	HA8001	1	Bearer	
4	EK 003	2	Washer	D 8.4 ISO7089
5	ES 051	2	Screw	M 8x16 DIN 7984 8.8
6	HBS7789	2	Bushing (for UP1558B)	
7	ES1532	2	Screw (for UP1558B)	M 8x25 DIN 7984
8	EA 005	1	Grease nipple	M10x1 DIN71412
9	HT1040	1	Bearer	L=42 B=19 S=6
10	EF 144	1	Spring	
11	HF 829	2	Guide block	8 mm
11	HF 830	2	Guide block	9 mm
11	HF 831	2	Guide block	10 mm
11	HF 832	2	Guide block	11 mm
11	HF 833	2	Guide block	12 mm
12	HTR2951	2	Guide block	6 mm
12	HTR2952	2	Guide block	8 mm
12	HTR2953	2	Guide block	10 mm
12	HTR2982	2	Guide block	1 mm
13	EM 026	1	Nut	DIN 985 M8
14	ES1163	1	Screw	M 8x110 DIN 912
15	ES1082	4	Screw	M 8x12 DIN 7984 8.8
15	ES1089	4	Screw	M 8x10 DIN 7984 8.8
16	HIS 008	1	Pin	l=135 mm
17	EQ 042	1	Pin locking	D 5,0 DIN 11023
18	HXL 010	1	Suspension eye	11t
19	EZ1422	1	Crane hook	5,4 t
	EZ1423	1	Safety latch (+18)	
19	EZ1600	1	Crane hook	8,0 t
	EZ1599	1	Safety latch (+18)	
20	EZ1423	1	Safety latch (for EZ1422)	
20	EZ1599	1	Safety latch (for EZ1600)	

Boom extension 2



Ausführung mit mehr als 2 hydraulischen Ausschüben
 Crane with more than 2 hydraulic boom extensions
 Modele plus d' 2 extensions hydrauliques



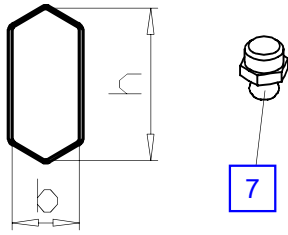
Ausführung mit 2 hydraulischen Ausschüben
 Crane with 2 hydraulic boom extensions
 Modele a 2 extensions hydrauliques

No.	Spare part	Qty.	Description	Dimension
1	S104T02-A	1	Boom extensions	155x81 mm
2	UP1559+00001 -->100105862	1	Extension boom ram (page 070.0400)	Cr
2	UP1559C 100105863-->	1	Extension boom ram (page 070.0401)	Cr
3	HF 829	2	Guide block	8 mm
3	HF 830	2	Guide block	9 mm
3	HF 831	2	Guide block	10 mm
3	HF 832	2	Guide block	11 mm
3	HF 833	2	Guide block	12 mm
4	EM 026	3	Nut	DIN 985 M8
5	EK 003	2	Washer	D 8.4 ISO7089
6	ES 006	2	Screw	M 8x25 ISO4762-10.9
7	HXE1853A	1	Cylinder guide	
	ES 297	2	Screw	M 8x25 ISO14581- 8.8
	EZ2758	1	Guide block	
	HA8001	1	Bearer	
8	EA 005	1	Grease nipple	M10x1 DIN71412
9	HI 513	1	Pin	D016.0xL0065.0
10	EQ 056	2	Winding pin	D 6x40 DIN 1481
11	UP1560+00001 -->100065362	1	Extension boom ram-2 (page 070.0400)	Cr
11	UP1560A 100065363-->	1	Extension boom ram (page 070.0400)	Cr
11	UP1560C 100105863-->	1	Extension boom ram (page 070.0401)	
12	HF 824	2	Guide block	8 mm
12	HF 825	2	Guide block	9 mm
12	HF 826	2	Guide block	10 mm
12	HF 827	2	Guide block	11 mm
12	HF 828	2	Guide block	12 mm
13	HTR2951	2	Guide block	6 mm
13	HTR2952	2	Guide block	8 mm
13	HTR2953	2	Guide block	10 mm
13	HTR2982	2	Guide block	1 mm
14	ES1125	1	Screw	M 8x110 ISO 14581 8.8
15	ES1082	4	Screw	M 8x12 DIN 7984 8.8
15	ES1089	4	Screw	M 8x10 DIN 7984 8.8
16	HIS 008	1	Pin	l=135 mm
17	EQ 042	1	Pin locking	D 5,0 DIN 11023
18	HXL 010	1	Suspension eye	11t
19	EZ1422	1	Crane hook	5,4 t
	EZ1423	1	Safety latch (+20)	
19	EZ1600	1	Crane hook	8,0 t
	EZ1599	1	Safety latch (+20)	

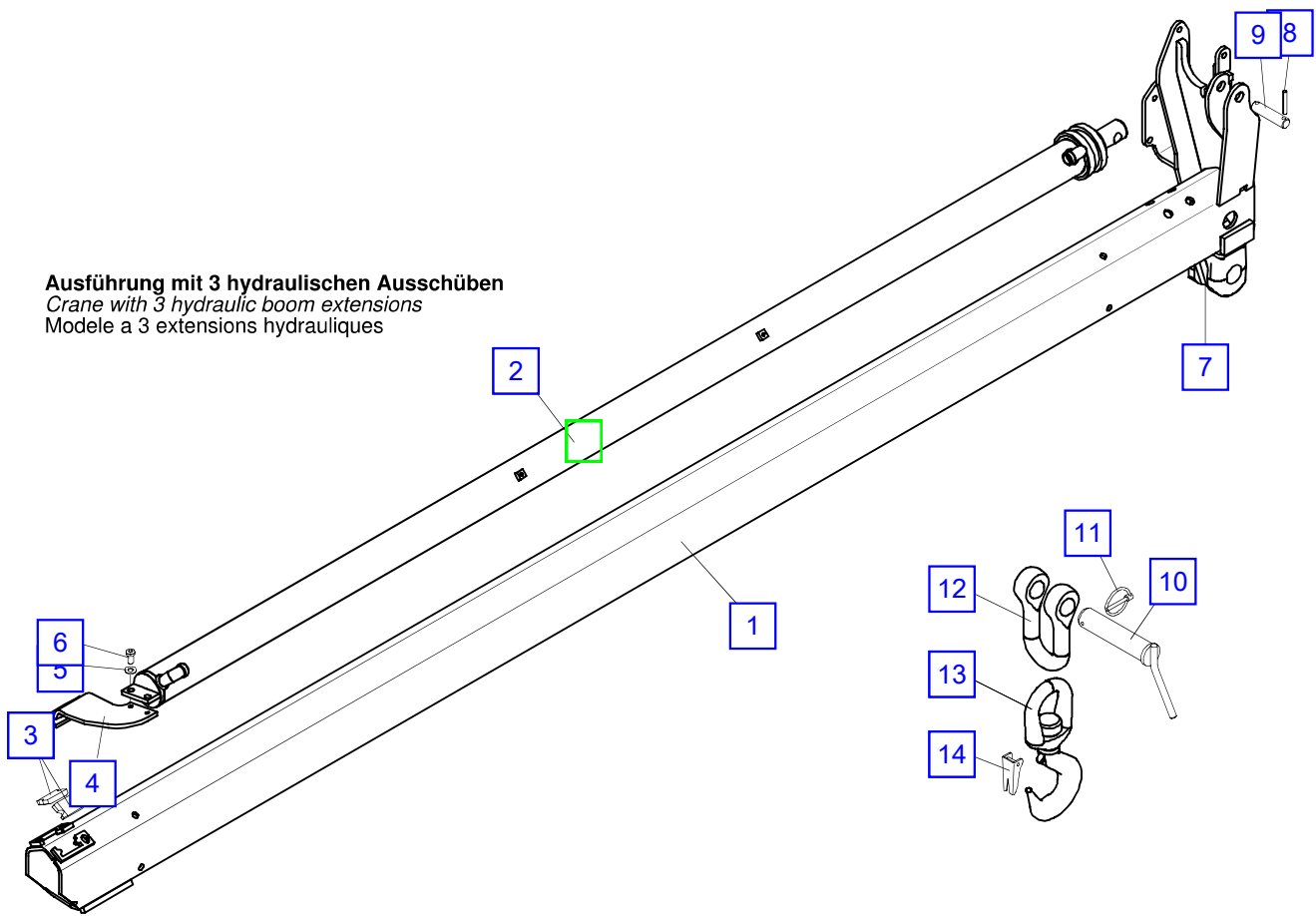
No.	Spare part	Qty.	Description	Dimension
20	EZ1423	1	Safety latch	

this page is intentionally left blank

Boom extension 3

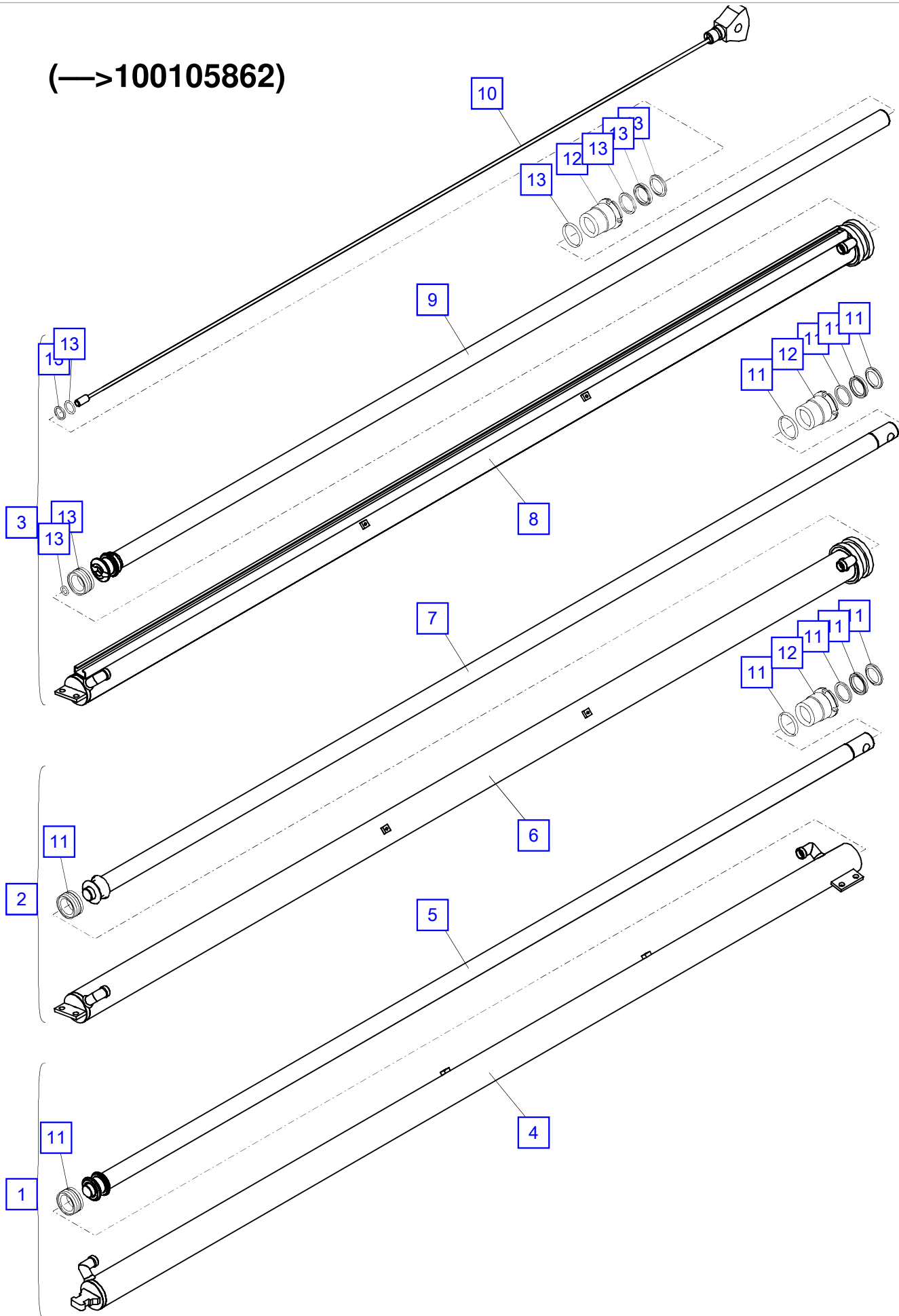


Ausführung mit 3 hydraulischen Ausschüben
Crane with 3 hydraulic boom extensions
Modele a 3 extensions hydrauliques



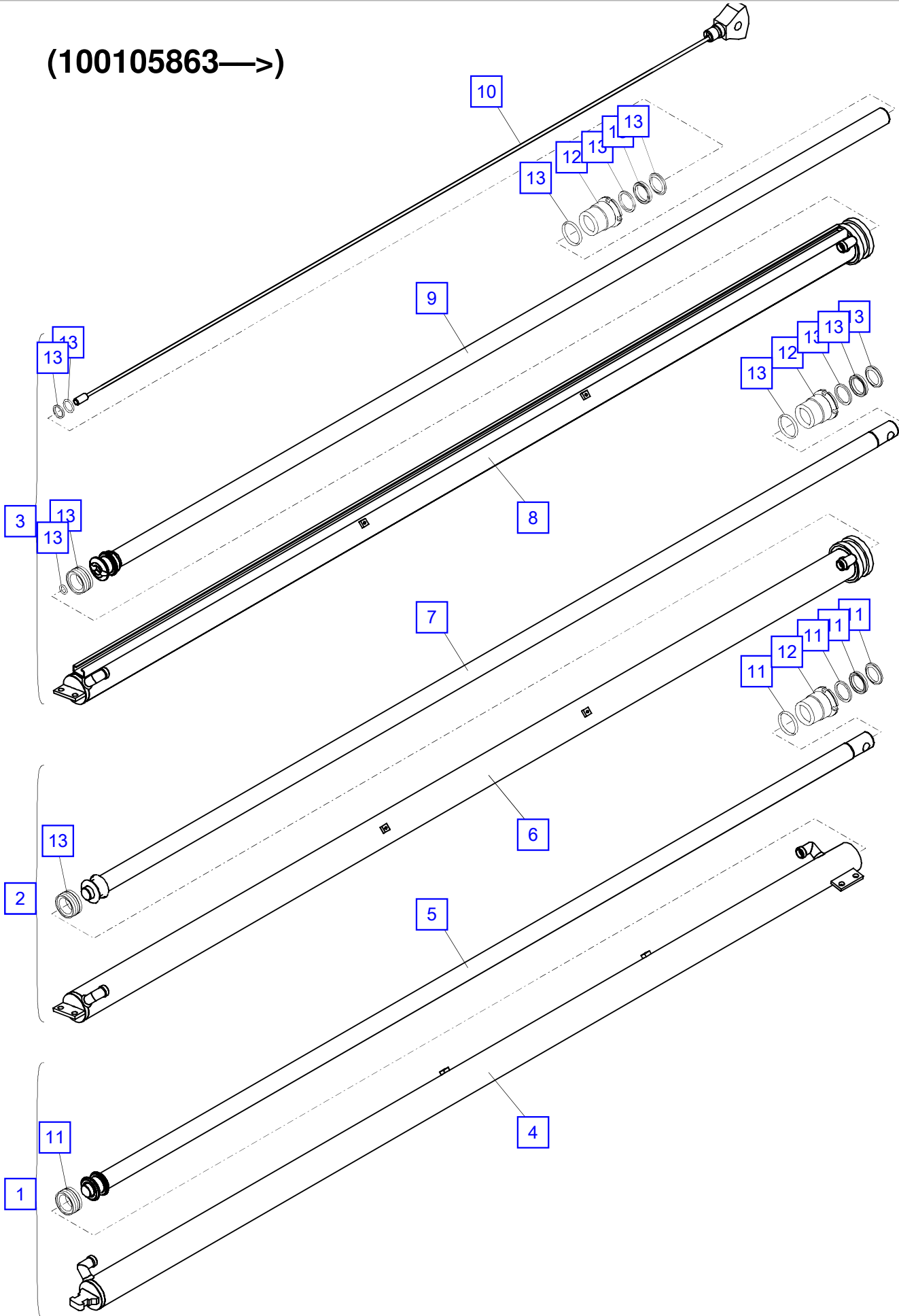
No.	Spare part	Qty.	Description	Dimension
1	S104T03-A	1	Boom extension 3	123x64 mm
2	UP1559+00001 -->100105862	1	Extension boom ram (page 070.0400)	Cr
2	UP1559C 100105863-->	1	Extension boom ram (page 070.0401)	Cr
3	HF 824	2	Guide block	8 mm
3	HF 825	2	Guide block	9 mm
3	HF 826	2	Guide block	10 mm
3	HF 827	2	Guide block	11 mm
3	HF 828	2	Guide block	12 mm
4	HXE1854	1	Cylinder guide	
5	EK 003	2	Washer	D 8.4 ISO7089
6	ES 051	2	Screw	M 8x16 DIN 7984 8.8
7	EA 005	1	Grease nipple	M10x1 DIN71412
8	EQ 056	2	Winding pin	D 6x40 DIN 1481
9	HI 513	1	Pin	D016.0xL0065.0
10	HIS 008	1	Pin	l=135 mm
11	EQ 042	1	Pin locking	D 5,0 DIN 11023
12	HXL 010	1	Suspension eye	11t
13	EZ1422	1	Crane hook	5,4 t
	EZ1423	1	Safety latch (+14)	
13	EZ1600	1	Crane hook	8,0 t
	EZ1599	1	Safety latch (+14)	
14	EZ1423	1	Safety latch (for EZ1422)	
14	EZ1599	1	Safety latch (for EZ1600)	

(→100105862)



No.	Spare part	Qty.	Description	Dimension
1	UP1558A	1	Extension boom ram-1	Cr
2	UP1559+00001	1	Extension boom ram (Type B) (Type A)	Cr
3	UP1560+00001 -->100065362	1	Extension boom ram-2	Cr
3	UP1560A 100065363-->	1	Extension boom ram (Type B)	Cr
4	HY1420A	1	Cylinder tube	
5	HSK1274+00001	1	Piston rod	Cr
6	HY1423	1	Cylinder tube	d045
7	HSK1275	1	Piston rod	
8	HY1421	1	Cylinder tube	d045
9	HSK1276 -->100065362	1	Piston rod	
9	HSK1276A 100065363-->	1	Piston rod	Cr
10	HXE1819 -->100065362	1	Inner tube	
10	HXE1819A 100065363-->	1	Inner tube	DB016.0xL030 D025.0
11	TD 579	2	Seal kit	
12	HV 390	3	Cylinder nut	M048x1.5 d032xL060
13	TD 578	1	Seal kit	

(100105863→)



No.	Spare part	Qty.	Description	Dimension
1	UP1558B	1	Extension boom ram-1	Cr
2	UP1559C	1	Extension boom ram (Type B) (Type A)	Cr
3	UP1560C	1	Extension boom ram (Type B)	
4	HY1420B	1	Cylinder tube	d045
5	HSK1274+00001	1	Piston rod	Cr
6	HY1423	1	Cylinder tube	d045
7	HSK1275+00001	1	Piston rod	D032xL2003 Dzyl.045 Cr
8	HY1421	1	Cylinder tube	d045
9	HSK1276A	1	Piston rod	Cr
10	HXE1819A	1	Inner tube	DB016.0xL030 D025.0
11	TD 579A	1	Seal kit	
12	HV 390A	3	Cylinder nut	M048x1.5 d032xL060
13	TD 578A	2	Seal kit	

Pipes-Boom extens.ram

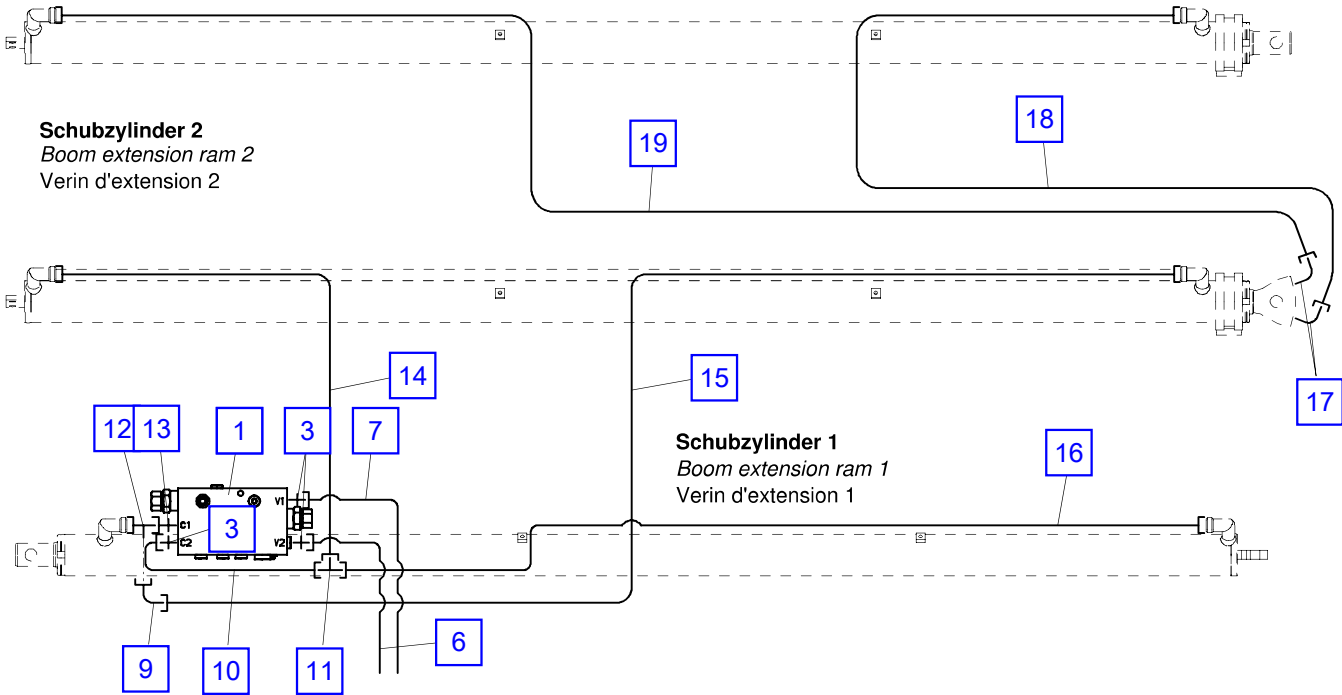
Ausführung mit 3 hydraulischen Ausschüben
Crane with 3 hydraulic boom extensions
 Modele a 3 extensions hydrauliques

(—>0820511)

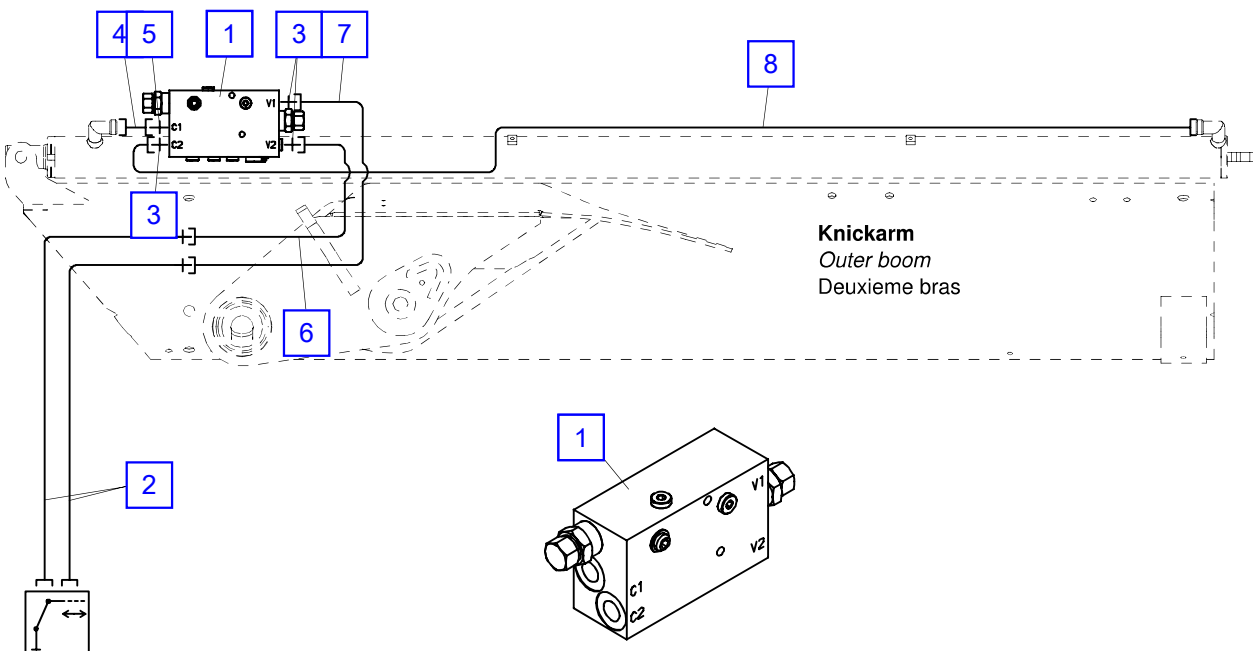
Schubzylinder 3
Boom extension ram 3
 Verin d'extension 3

Schubzylinder 2
Boom extension ram 2
 Verin d'extension 2

Schubzylinder 1
Boom extension ram 1
 Verin d'extension 1



Ausführung mit einem hydraulischen Ausschub
Crane with one hydraulic boom extension
 Modele a une extension hydraulique



No.	Spare part	Qty.	Description	Dimension
1	EV4600	1	Load holding valve	
	TD1000		Seal kit (for EV4600)	
2	EH 234	2	Hose	NW 8x7500
3	EA 039	3	Fitting	GE 12S R3/8"-ED
4	EA 784	1	Fitting	GZ 12 S
5	EA 204	1	Fitting	G 12 S
6	HLR 9351	1	Pipe	D 12
7	HLR 9352	1	Pipe	D 12
8	HLR 9030	1	Pipe	D 12
9	EA 280	1	Angle fitting	EW 12 S
10	HLR 9080	1	Pipe	D 12
11	EA 195	1	Fitting	T 12-S
12	EA 202	1	L-Coupling	EL 12 S
13	EA 201	1	Fitting	EGE 12S R3/8-ED
14	HLR 9021	1	Pipe	D 12
15	HLR 9020	1	Pipe	D 12
16	HLR 9019	1	Pipe	D 12
17	EA1749	2	Adaptor	WEE 12S 3/8"
18	HLR 9022	1	Pipe	D 12
19	HLR 9023	1	Pipe	D 12

Pipes-Boom extens.ram

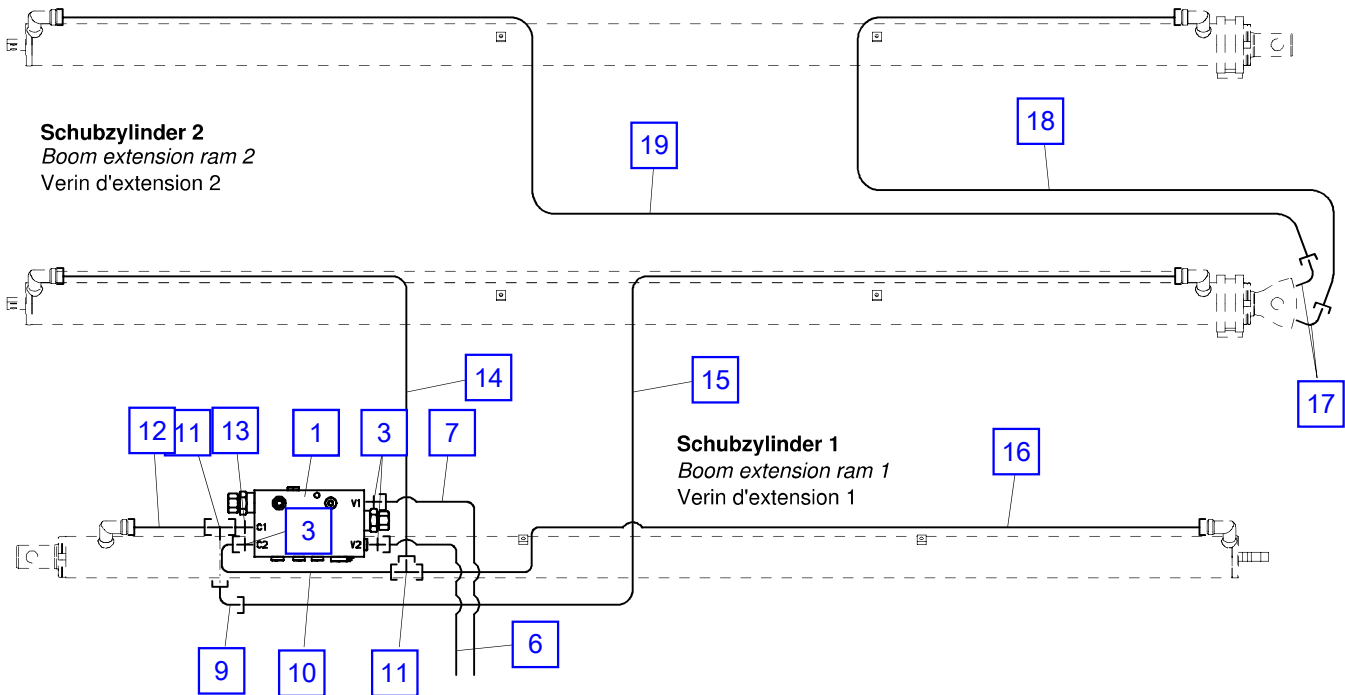
Ausführung mit 3 hydraulischen Ausschüben
Crane with 3 hydraulic boom extensions
 Modele a 3 extensions hydrauliques

(—>0922288)

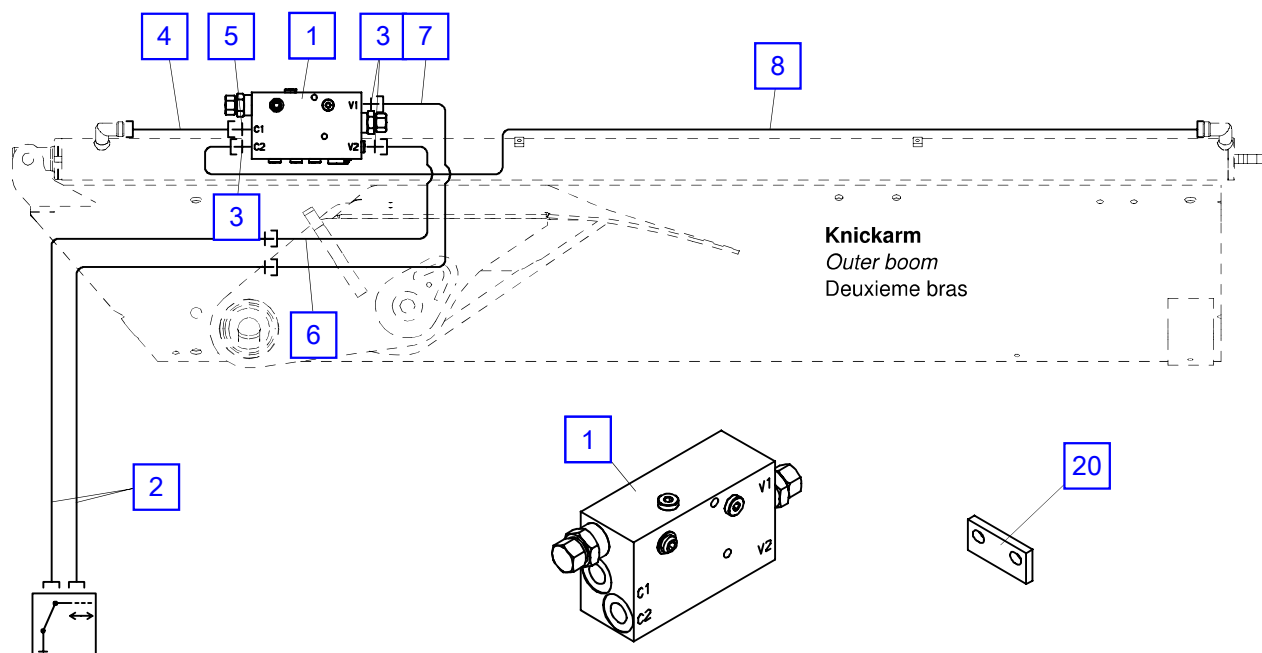
Schubzylinder 3
Boom extension ram 3
 Verin d'extension 3

Schubzylinder 2
Boom extension ram 2
 Verin d'extension 2

Schubzylinder 1
Boom extension ram 1
 Verin d'extension 1



Ausführung mit einem hydraulischen Ausschub
Crane with one hydraulic boom extension
 Modele a une extension hydraulique



Knickarm
Outer boom
 Deuxieme bras

No.	Spare part	Qty.	Description	Dimension
1	EV4600	1	Load holding valve	
	TD1000		Seal kit (for EV4600)	
2	EH 437	2	Hose	NW 8x7600
3	EA 039	3	Fitting	GE 12S R3/8"-ED
4	HLR 9893	1	Pipe	D 12
5	EA 204	1	Fitting	G 12 S
6	HLR 9351	1	Pipe	D 12
7	HLR 9888	1	Pipe	D 12
8	HLR 9894	1	Pipe	D 12
9	EA 280	1	Angle fitting	EW 12 S
10	HLR 9887	1	Pipe	D 12
11	EA 195	2	Fitting	T 12-S
12	HLR 9889	1	Pipe	D 12
13	EA 201	1	Fitting	EGE 12S R3/8-ED
14	HLR 9890	1	Pipe	D 12
15	HLR 9891	1	Pipe	D 12
16	HLR 9892	1	Pipe	D 12
17	EA1749	2	Adaptor	WEE 12S 3/8"
18	HLR 9022	1	Pipe	D 12
19	HLR 9023	1	Pipe	D 12
20	HTR1530A	1	Plate	

Pipes-Boom extens.ram

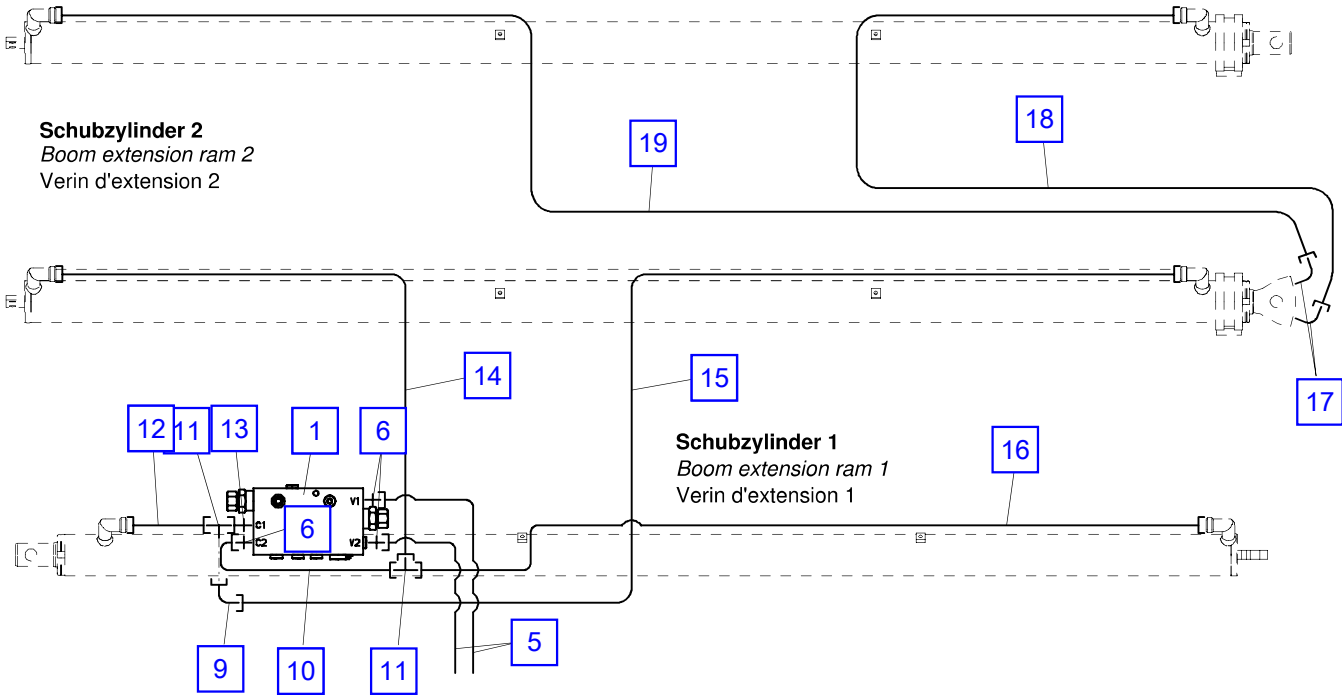
Ausführung mit 3 hydraulischen Ausschüben
Crane with 3 hydraulic boom extensions
 Modele a 3 extensions hydrauliques

(0922289—>)

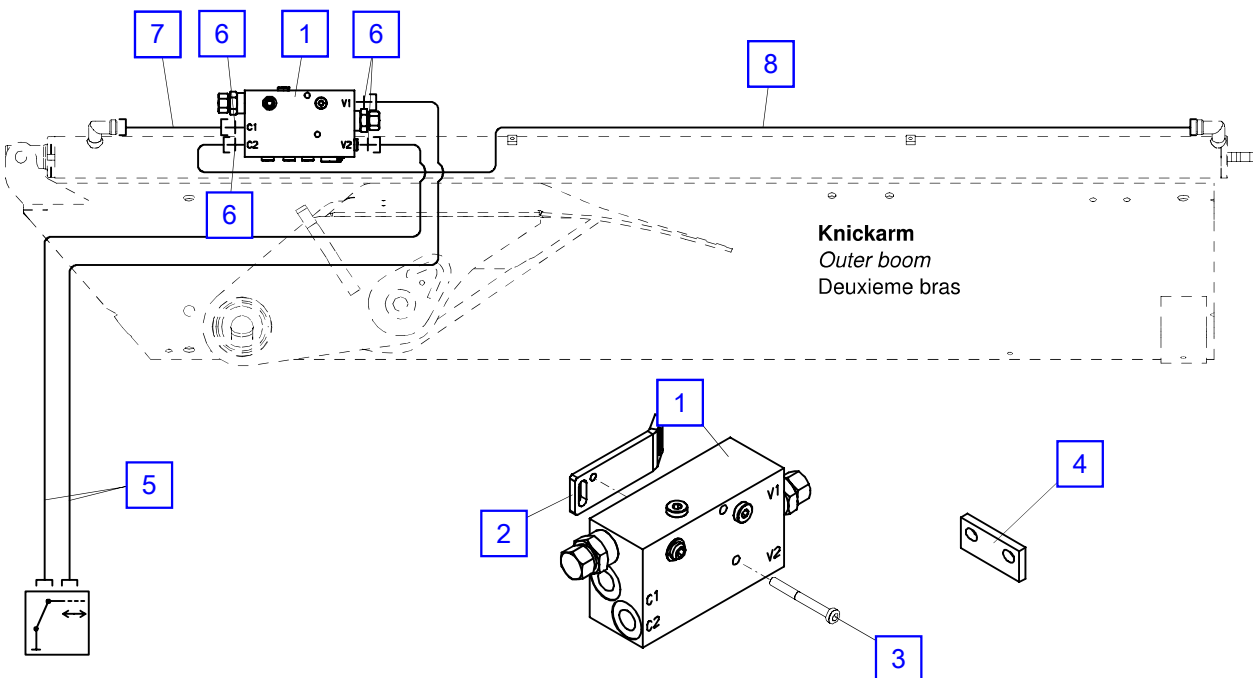
Schubzylinder 3
Boom extension ram 3
 Verin d'extension 3

Schubzylinder 2
Boom extension ram 2
 Verin d'extension 2

Schubzylinder 1
Boom extension ram 1
 Verin d'extension 1



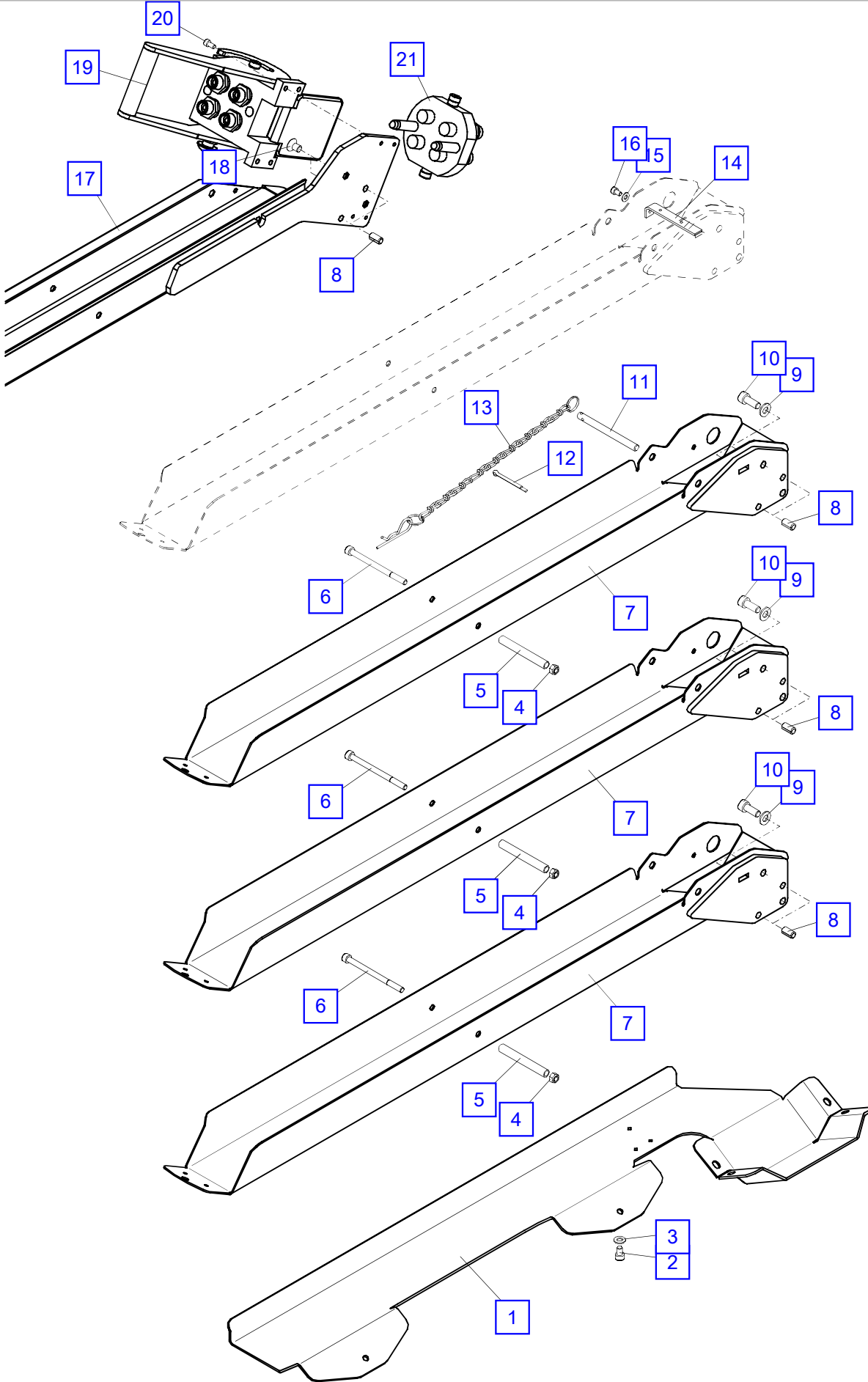
Ausführung mit einem hydraulischen Ausschub
Crane with one hydraulic boom extension
 Modele a une extension hydraulique



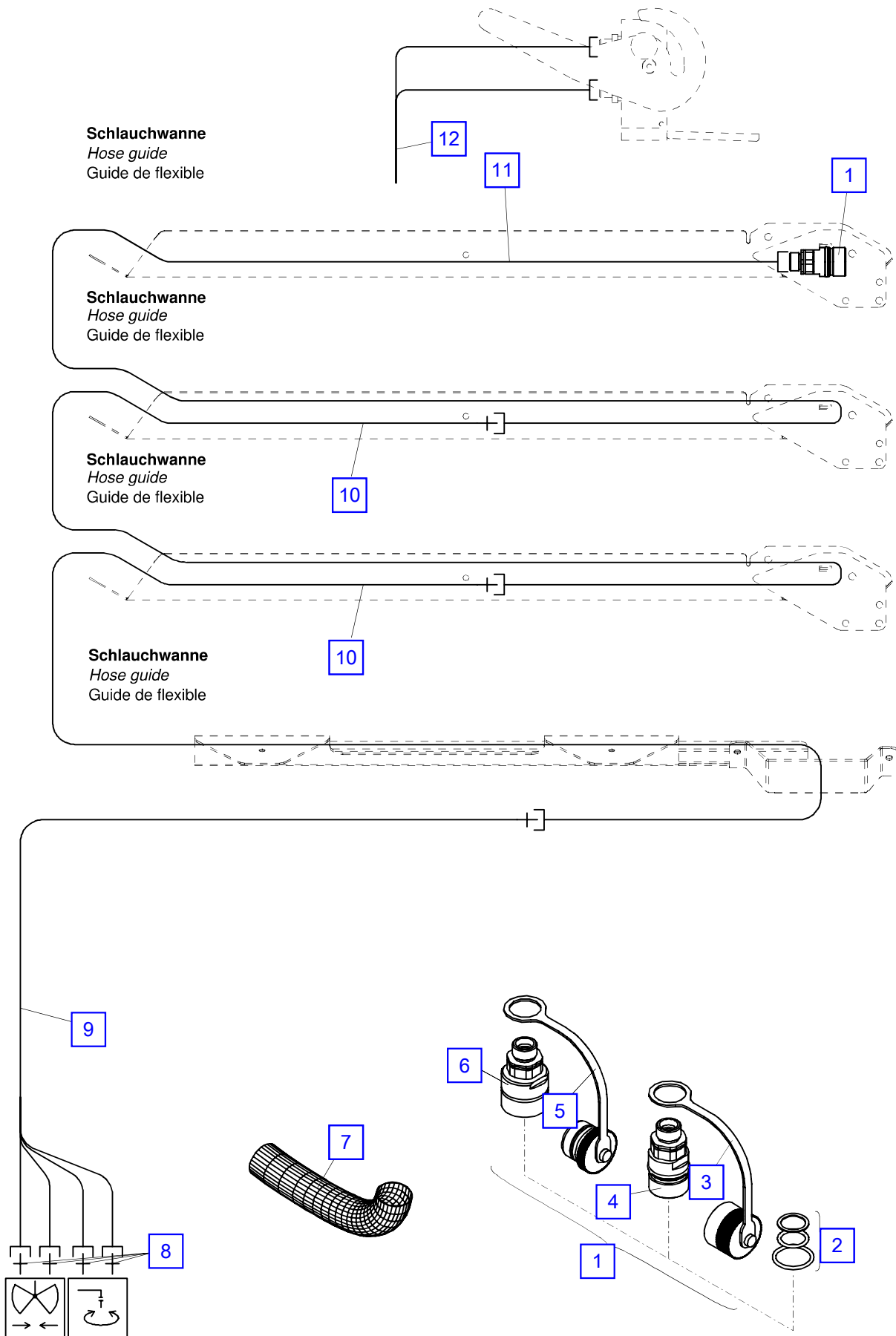
Knickarm
Outer boom
 Deuxieme bras

No.	Spare part	Qty.	Description	Dimension
1	EV4600	1	Load holding valve	
	TD1000		Seal kit (for EV4600)	
2	HA7497	1	Bearer	
3	ES 106	1	Screw	DIN 7984 M 6 x 55
4	HTR1530A	1	Plate	
5	EH6205	2	Hose	NW 12x7400
6	EA 039	4	Fitting	GE 12S R3/8"-ED
7	HLR12113 -->100020613	1	Pipe	D 12
7	HLR12303 100020614-->	1	Pipe	D 12
8	HLR12114 -->100020613	1	Pipe	D 12
8	HLR12304 100020614-->	1	Pipe	D 12
9	EA 280	1	Angle fitting	EW 12 S
10	HLR12256 -->100020613	1	Pipe	D 12
10	HLR12301 100020614-->	1	Pipe	D 12
11	EA 195	2	Fitting	T 12-S
12	HLR12260 -->100020613	1	Pipe	D 12
12	HLR12302 100020614-->	1	Pipe	D 12
13	EA 201	1	Fitting	EGE 12S R3/8"-ED
14	HLR12258	1	Pipe	D 12
15	HLR12259 -->100020613	1	Pipe	D 12
15	HLR12300 100020614-->	1	Pipe	D 12
16	HLR12257	1	Pipe	D 12
17	EA1749	2	Adaptor	WEE 12S 3/8"
18	HLR 9022	1	Pipe	D 12
19	HLR 9023	1	Pipe	D 12

Hose tray

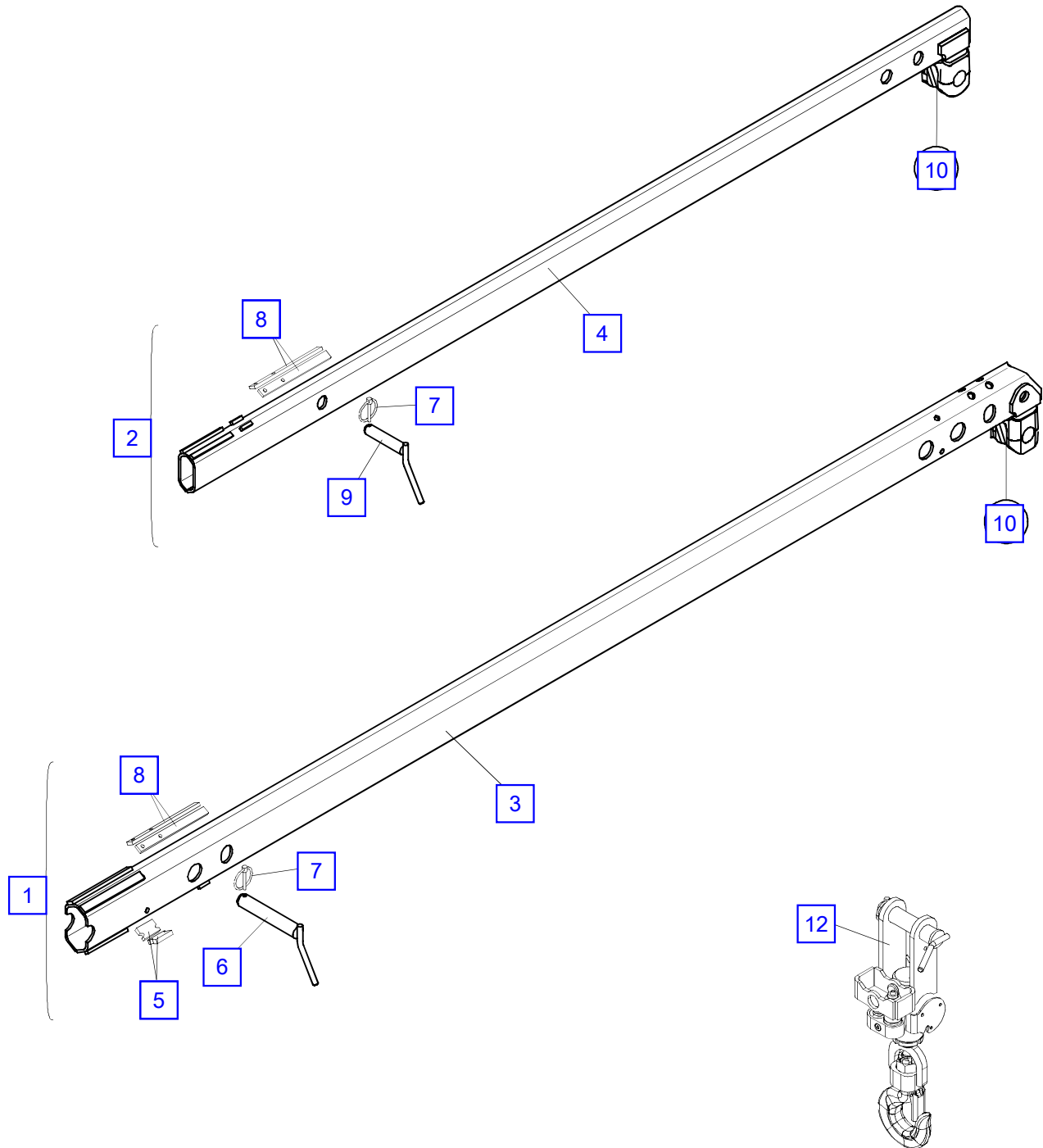
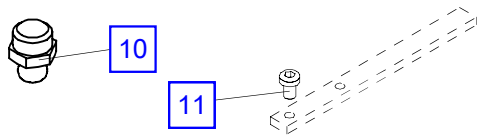
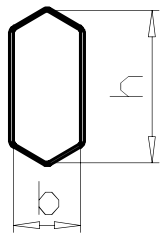


No.	Spare part	Qty.	Description	Dimension
1	HA 655	1	Hose tray	
2	ES 374	6	Screw	M 8x12 ISO4762- 8.8
3	EK 003	6	Washer	D 8.4 ISO7089
4	EM 026	3	Nut	DIN 985 M8
5	HBS2126	3	Spacer tube	D12.0xd9.0xL=92 mm
6	ES1165	3	Screw	M 8x120 DIN 912
7	HXE1154	3	Hose tray	
8	EQ 044	6	Winding pin	D 10x20 DIN1481
9	EK 007	6	Washer	D 10.5 ISO7089
10	ES 050	6	Screw	M 10x20 ISO4762-10.9
11	HI2453	1	Pin	l=117 mm
12	EQ 021	1	Split pin	D 5x50 ISO 1234
13	HXS 032	1	Safety chain	
14	HA4298	3	Bearer	L0115.5xB0015xS003
15	EK 043	3	Washer	D 6.4 DIN 134
16	ES 414	3	Screw	M 6x10 ISO4762- 8.8
17	HXE2817	1	Hose tray	
18	ES 314	2	Screw	M 10x16 ISO14581- 8.8
19	EA2186	1	Quick-coupling	
20	ES1150	4	Screw	M 6x12 ISO4762- 8.8
21	EA2187	1	Quick-coupling	
	TD1734	1	Seal kit	

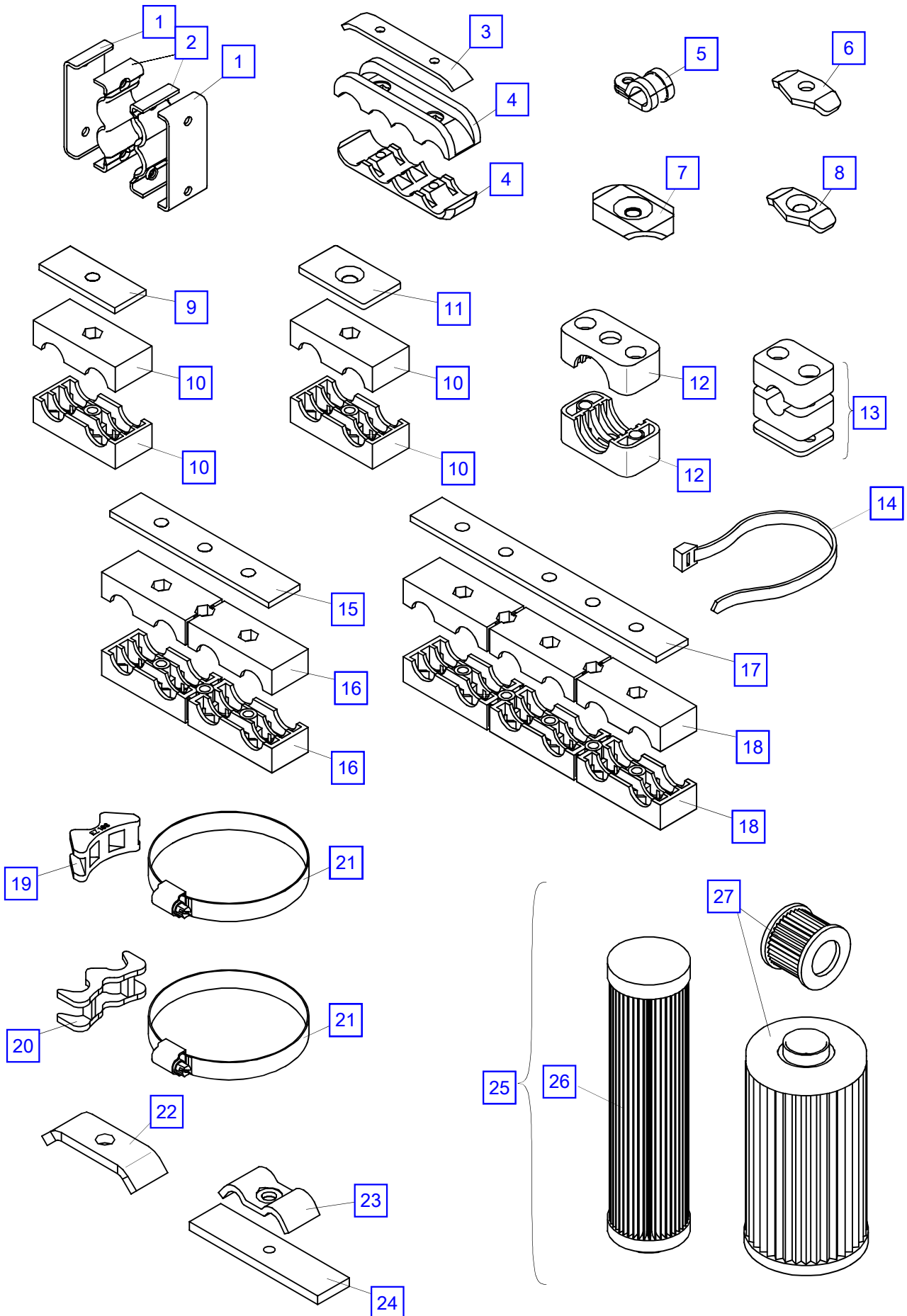


No.	Spare part	Qty.	Description	Dimension
1	EA1113	2	Quick coupling, cpl.	12S NW 10 DIN2353
2	TD 045	1	Seal kit, cpl.	
3	EK 112	1	Dust cover (red) (red)	Rot
3	EK 143	1	Dust cover (black) (black)	Schwarz
4	EA1266	1	Quick-coupling	12 S
5	EK 113	1	Dust cover (red) (red)	Rot
5	EK 144	1	Dust cover (black) (black)	Schwarz
6	EA1267	1	Quick-coupling	12 S
7	EH 617		Protection hose	NW 50x1400
7	EH 619		Protection hose	NW 50x1500
7	EH 768		Protection hose	NW 70x1500
8	EA 183	4	Fitting	GE 12S R1/2"-ED
9	EH5067	4	Hose	NW 10x7850
10	EH2283 -->100142896	8	Hose	NW 10x2700
10	EH2283A 100142897-->	8	Hose	NW 10x2700
11	EH4786 -->100142896	4	Hose	NW 10x3350
11	EH4786A 100142897-->	4	Hose	NW 10x3350
12	EH7271 -->100142896	4	Hose	NW 10x3450
12	EH7271A 100142897-->	4	Hose	NW 10x3450

Boom extension



No.	Spare part	Qty.	Description	Dimension
1	KMT008ASA	1	Extension , cpl.	
2	KMT018ASA	1	Extension , cpl.	
3	KMT008A-A	1	Extension	93x47 mm
4	KMT009A-A	1	Extension	73x32 mm
5	HT6723	2	Guide block	7 mm
5	HT2218	2	Guide block	8 mm
5	HT2219	2	Guide block	10 mm
6	HIS 040	1	Pin	l= 144 mm
7	EQ 042	2	Pin locking	D 5,0 DIN 11023
8	HTR2951	4	Guide block	6 mm
8	HTR2952	4	Guide block	8 mm
8	HTR2953	4	Guide block	10 mm
8	HTR2982	4	Guide block	1 mm
9	HI 042	1	Pin	l=92 mm
10	EA 005	2	Grease nipple	M10x1 DIN71412
11	ES1082		Screw	M 8x12 DIN 7984 8.8
11	ES1088		Screw	M 8x6 DIN 7984
11	ES1089		Screw	M 8x10 DIN 7984 8.8
12	KLG001A-A	1	Pressure compensator (page 030.0100)	



No.	Spare part	Qty.	Description	Dimension
1	HA3041		Clip	L0076.3xB0030xS002
2	HA3022		Clip	
3	HTR 810		Plate	
4	EZ 124		Hose clip	D 17x4
5	EK 216		Pipe clip	D 10
5	EK 217		Pipe clip	D 20
5	EK 221		Pipe clip	D 12
5	EK 256		Pipe clip	D 16
5	EK 351		Pipe clip	D 14
5	EK 352		Pipe clip	D 8
6	HX 007		Pipe clip	
7	HX 611		Clip	L0058.2xB0039.1 xS003.0
8	HX 416		Pipe clip	
9	HX 335		Stiffening plate	
10	EZ 257		Hose clip	D 19-22
10	EZ 259		Hose clip	D 15-18
11	HX 599		Plate	
12	EZ 502		Hose clip	D 28
13	EZ 306		Pipe clip	D 14
14	EK 084		Mounting band	l=360x7.5
14	EK 085		Cable tie	l=370x7,6
14	EK 165		Cable tie	l=215x4.8
15	HX 337		Stiffening plate	L0126xB0025xS004
16	EZ 256		Hose clip	D 19-21
16	EZ 258		Hose clip	D 15-18
17	HX 336		Stiffening plate	S0004 B0025 L0195
18	EZ 186		Hose clip	D 19-21
18	EZ 223		Hose clip	D 15-18
19	EZ 188		Pipe clip	
20	EZ 272		Pipe clip	
21	EQ 007		Hose clamp	D 110-130
21	EQ 020		Hose clamp	D 130-150
21	EQ 091		Hose clamp	D 150-170
21	EQ 099		Circlip	D 90-110
21	EQ 103		Hose clamp	D170-190
21	EQ 107		Hose clamp	D 70-90
21	EQ 271		Hose clamp	D180-200
21	EQ 276		Hose clamp	D280-320
21	EQ 302		Hose clamp	D230-250
22	HX 058		Pipe clip	L0076xB0025xS006
23	HX 448		Pipe clip	L0070xB0025xS004
24	HTR1231		Plate	L0102xB0025xS006
25	BZ204S	1	Filter element, cpl.	
26	EA1392	1	Filter element	
27	EA1412	1	Filter element cpl.	80 l/min

Decals

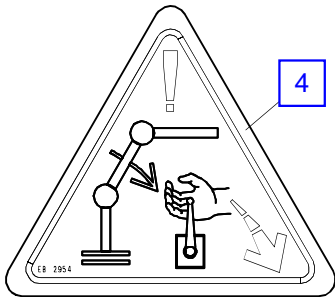
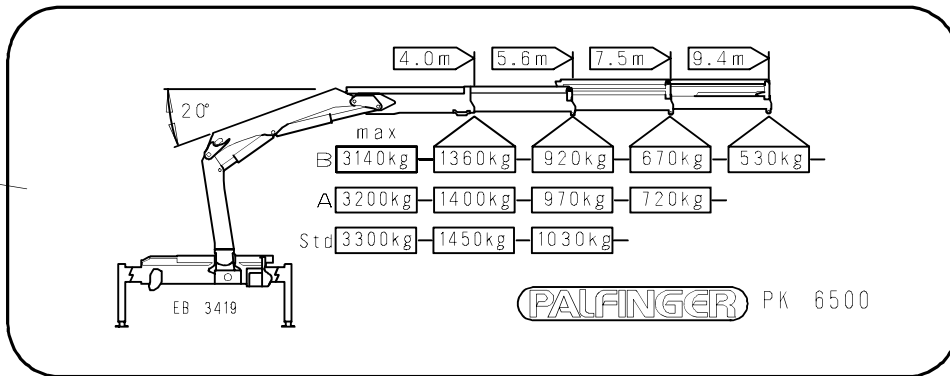
PALFINGER CRANE

1

2

PK 6500
Performance

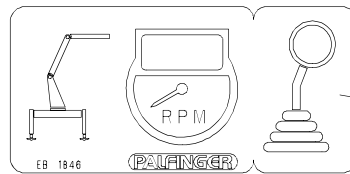
3



4

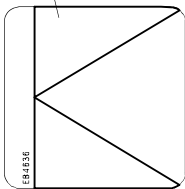


5

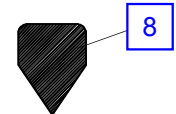


6

9



7

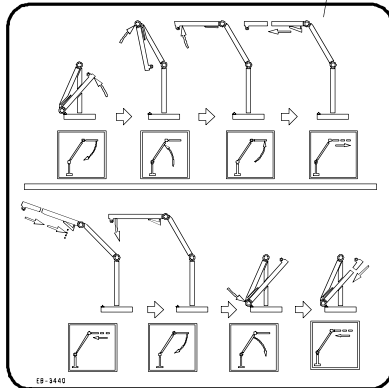


8

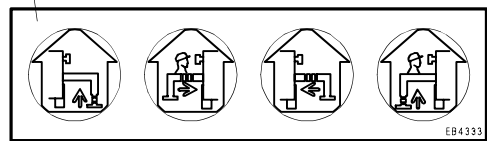
11



10



12



13

PALFINGER

No.	Spare part	Qty.	Description	Dimension
1	EB7982	2	Company decal	700x88 mm
2	EB3681	2	Company decal	
3	EB3419	2	Capacity diagram	PK 6500
4	EB2954	1	Symbol sign	
5	EB2218	2	Danger sign	h=135 mm
6	EB1846	1	Decal	
7	EB1826	2	Symbol sign	
8	EB1279	2	Folding arrow	
9	EB4636	1	Symbol sign	
10	EB3440	1	Symbol sign	
11	EB4182	1	Decal	
12	EB4333	1	Symbol sign	

Spare Parts Catalogue

PK 6500

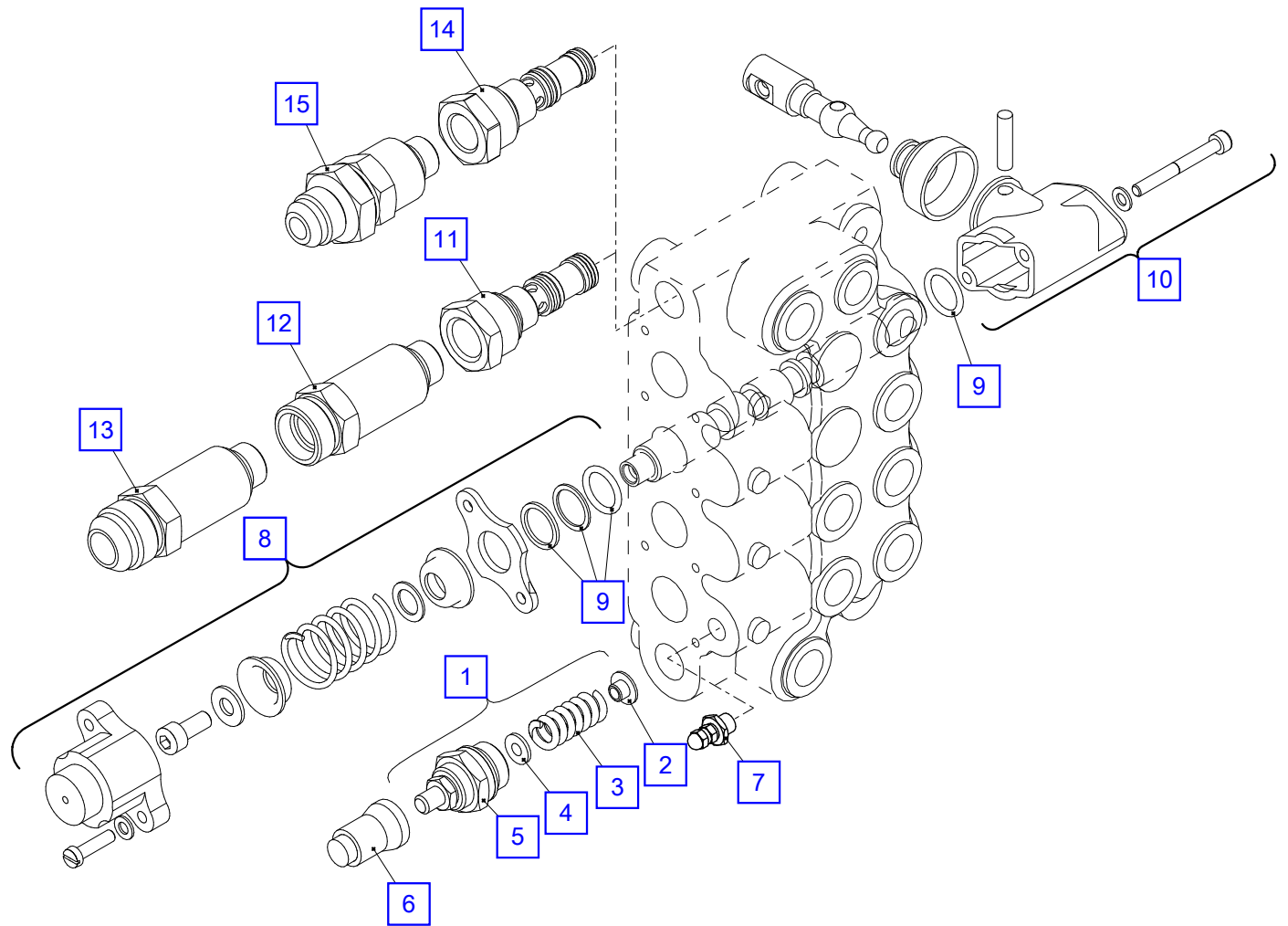
(AB_Classic_KSC0000)

Edition 01/2001

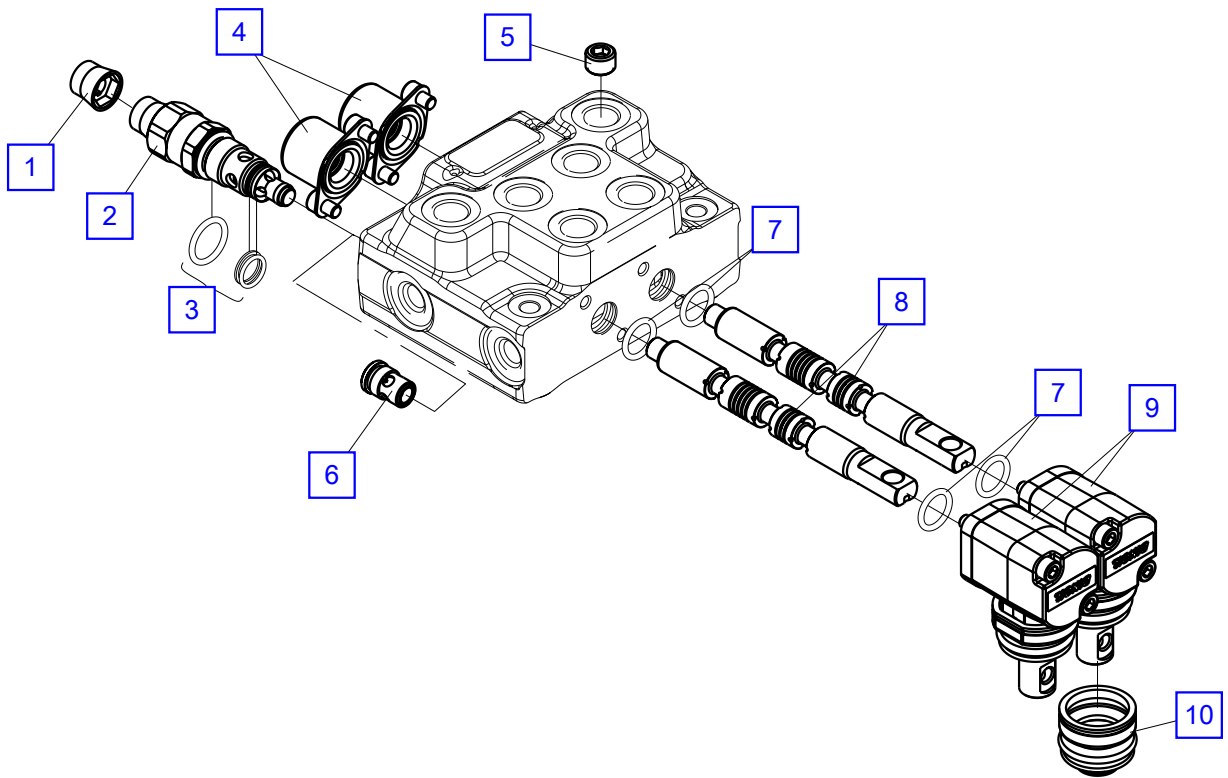
EN

PALFINGER AG
Lamprechtshausener Bundesstraße 8
5101 Bergheim / Austria
www.palfinger.com

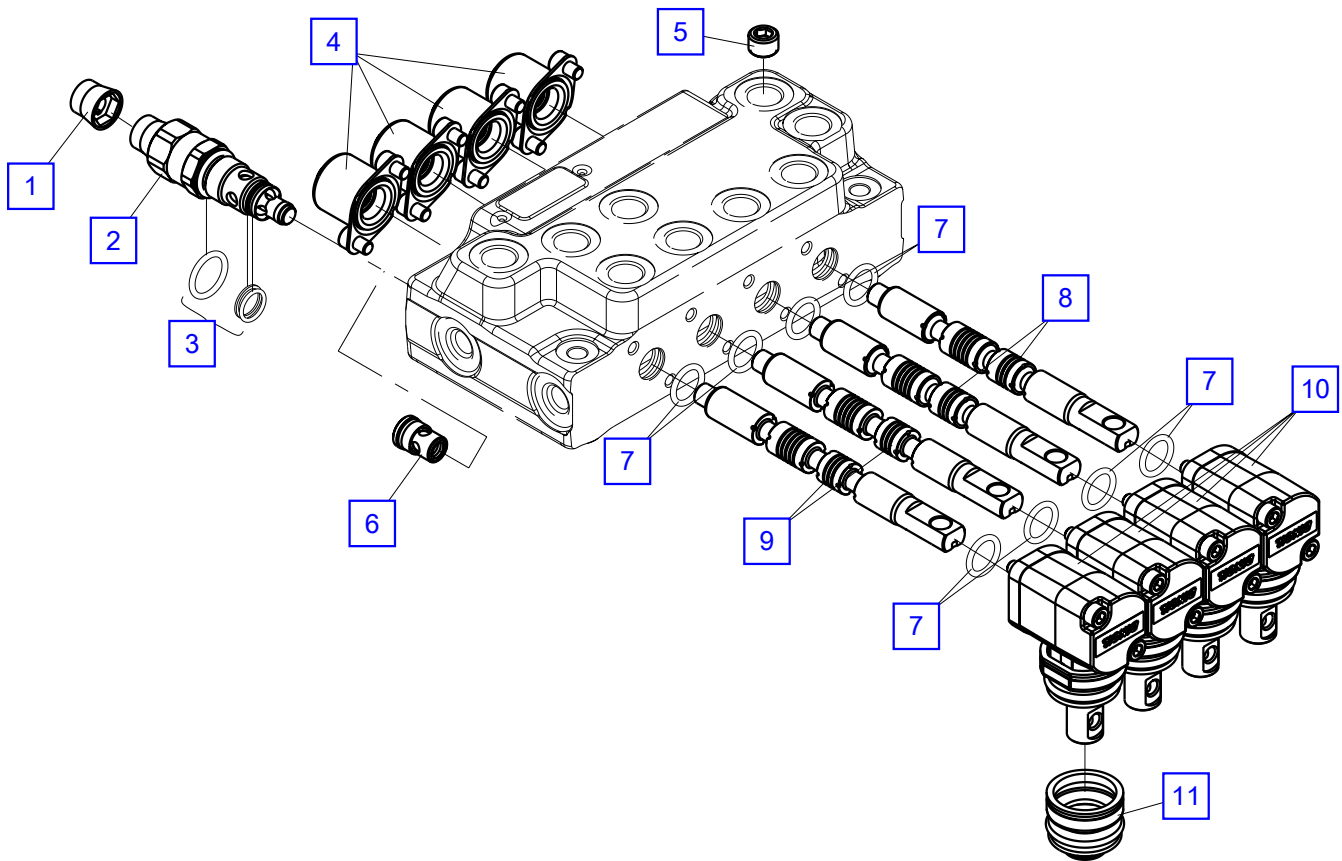
Page	
010	CONTROL VALVE - SUPPORT
AB01 010.0100	Control valve VDM07
AB01 010.0200	Control valve (2-sections) Dinoil
AB01 010.0300	Control valve (4-sections) Dinoil
040	CONTROL VALVE RS210
AB01 040.0100	Control valve RS210
AB01 040.0200	Control valve - details RS210
AB01 040.0300	Control valve - details RS210
060	CONTROL VALVE RSQ240 RC
AB01 060.0100	Control valve RSQ240 RC
AB01 060.0200	Control valve - details RSQ240 RC
070	CONTROL VALVE PVG32
AB01 070.0100	Control valve PVG32
AB01 070.0200	Spool
AB01 070.0300	Inlet cover-PVSK



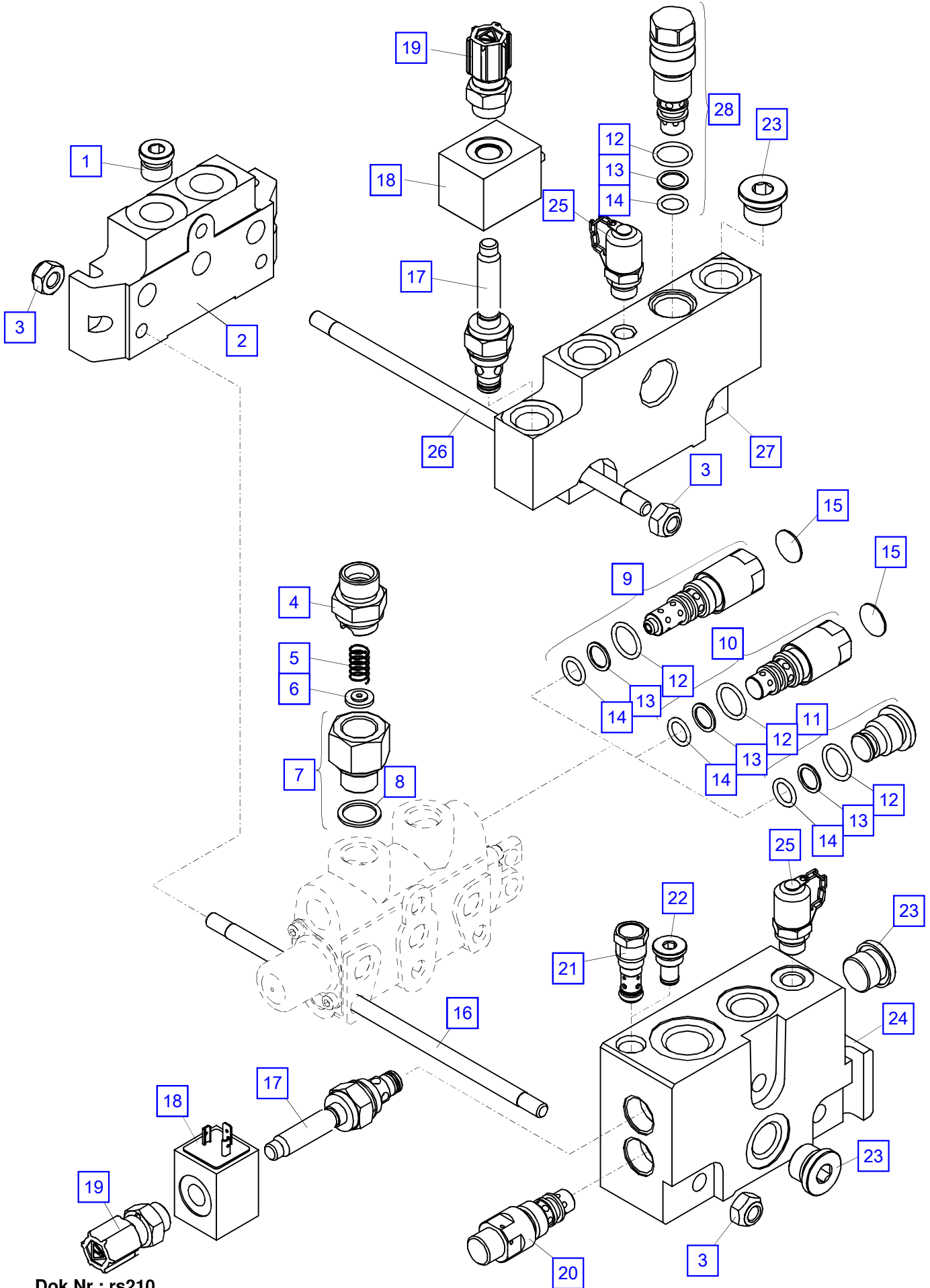
No.	Spare part	Qty.	Description	Dimension
1	EV 990	1	Main relief valve, cpl.	
2	EK 279	1	Bushing	
3	EF 077	1	Pressure spring	
4	EK 278	1	Washer	
5	EV 989	1	Valve housing	
6	EK 715A	1	Sealing cap	
7	EV5719	1	Port relief valve	30-70 bar
8	EZ2147	1	Spring housing, cpl.	
8	EZ2148	1	Spring housing, cpl.	
9	TD1605	1	Seal kit	
10	EZ2146	1	Lever support, cpl.	
11	EV1778	1	High pressure carry over port	M 18x1,5 - M 18x1,5
12	UV148A	1	Check valve	M 18x1.5
13	EV2083	1	Check valve Type	M18x1.5
14	EV1021	1	High pressure carry over port	M 18x1.5 - 3/8"
15	UV301JI	1	Check valve Type	3/8"



No.	Spare part	Qty.	Description	Dimension
1	EK1458	1	Sealing cap	
2	EV6234/160	1	Main relief valve	
3	TD1708	1	Seal kit	
4	EK1459	2	Spring cap	
5	ES2015	1	High pressure carry over port	
6	EV6233	1	Check valve	
7	ED1319	4	O-ring	
8	EV6232	2	Control spool	
9	EK1455	2	Lever support	
10	EK1456	1	Folded bellows	

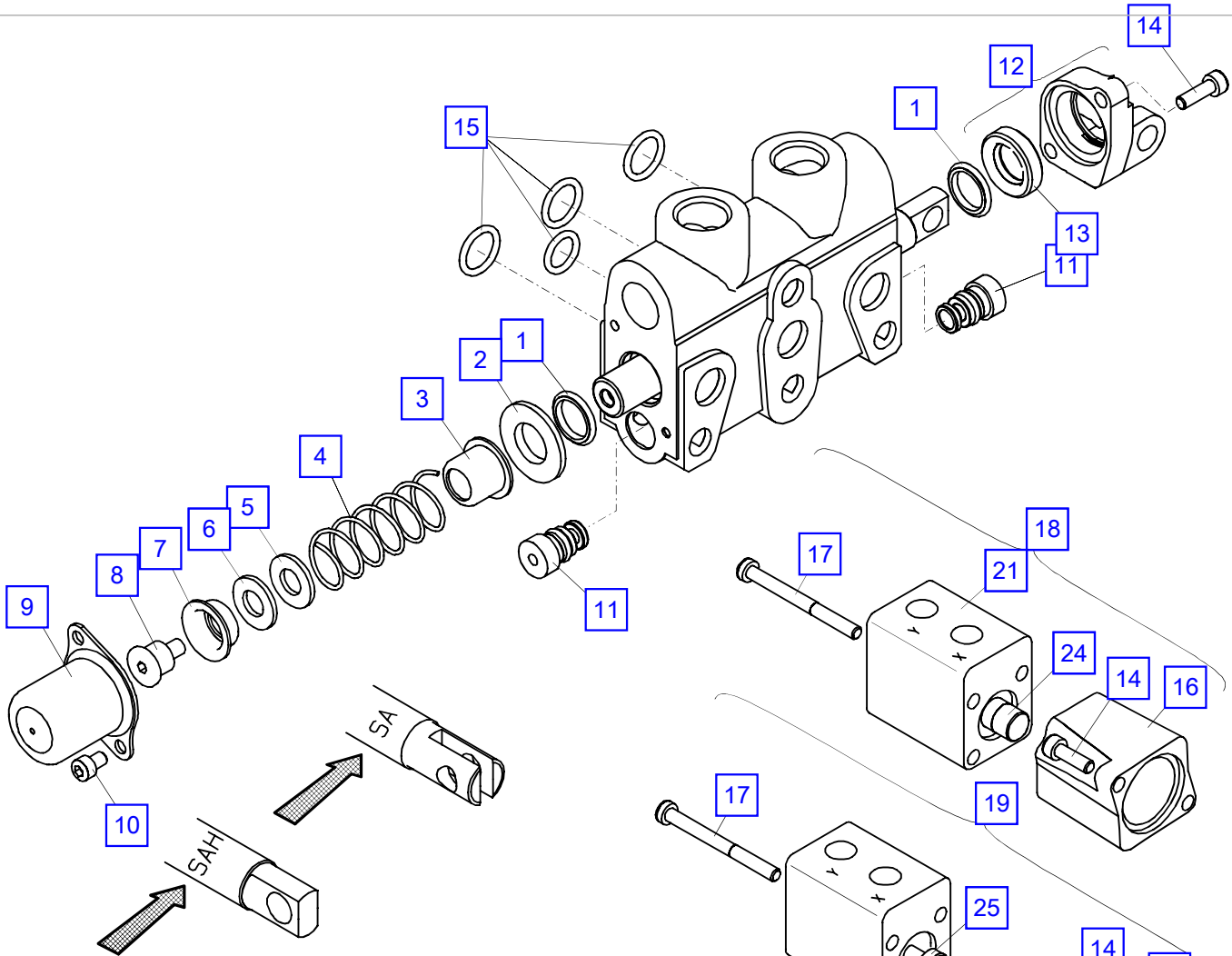


No.	Spare part	Qty.	Description	Dimension
1	EK1458	1	Sealing cap	
2	EV6234/160	1	Main relief valve	
3	TD1708	1	Seal kit	
4	EK1459	4	Spring cap	
5	ES2015	1	High pressure carry over port	
6	EV6233	1	Check valve	
7	ED1319	8	O-ring	
8	EV6263A	2	Control spool	
9	EV6232	2	Control spool	
10	EK1455	4	Lever support	
11	EK1456	1	Folded bellows	



Dok Nr.: rs210

No.	Spare part	Qty.	Description	Dimension
1	EV 784	1	High pressure carry over port	
2	EV 472	1	End cover	
3	EM 021	6	Nut	DIN 985 M10 CL8 ZB
4	EA 590		Fitting	GE 12 SR 1/2"ED
5	EF 008		Spring	D 11x0.8x22
6	HD 108		Restrictor	D 1,0 mm
	HD 376	0	Restrictor	D 1,5 mm
6	HD 376		Restrictor	D 1,5 mm
7	HLA 372		Fitting	
8	ED 170		Seal ring	R 1/2"
9	EV 043/...		Relief pressure valve w/ anti cavitation valve	... bar
10	EV 044/...		Pressure relief valve	... bar
11	EV 049		Blind plug	
12	EO 025		O-ring	D 17,3x2,4
13	ED 055		Back up ring	
14	EO 026		O-ring	D 12,3x2,4
15	EB 925		Lead seal	
16	ES 065	3	Tension rod (4-elements)	
16	ES 066	3	Tension rod (5-elements)	
16	ES 067	3	Tension rod (6-elements)	
16	ES 068	3	Tension rod (7-elements)	
17	EV4615	1	Solenoid valve	
	TD 239	1	Seal kit	
18	EV2811	1	Magnet coil d=13 mm	12 V
18	EV2812	1	Magnet coil d=13 mm	26 V
19	HLA1123	1	Protecting cap	
20	EV2552	1	Pressure compensator	
21	EV5714	1	Main relief valve	35-350 bar
	TD 955	1	Seal kit	
22	EV2773	1	Blind plug	
	TD 954	1	Seal kit	
23	EA 261		Locking screw	VSTI R1/2"
24	EV2085A	1	Inlet element	
	TD 636	1	Seal kit	
25	EA 716	1	Dial gauge connection	EMA3 R1/4"
26	ES 310	3	Tension rod (5-elements)	
27	EV2723	1	Inlet element	
28	EV5118	1	Main relief valve	35-350 bar



Kennzeichnung der Schieberstange

Indication of piston rod

Caracterisation de tige de piston

- 1 = Standard Schieberstange
- 2 = Schieberstange mit offener Nullstellung
- 3 = Schieberstange für Schwenkelement
- 4 = Schieberstange mit beidseitiger Leckagenut
- 5 = Schieberstange mit Leckagenut Seite-A
- 6 = Schieberstange mit Leckagenut Seite-B
- 7 = Schieberstange ohne Leckagenut

1 = Standard piston rod

2 = Piston rod with open O-position

3 = Piston rod for slewing system

4 = Piston rod with drain groove both sides

5 = Piston rod with drain groove side-A

6 = Piston rod with drain groove side-B

7 = Piston rod without drain groove

1 = Tige de piston standard

2 = Tige de piston avec position ouvert

3 = Tige de piston pour element de rotation

4 = Tige de piston avec mise a vide deux cotes

5 = Tige de piston avec mise a vide cote-A

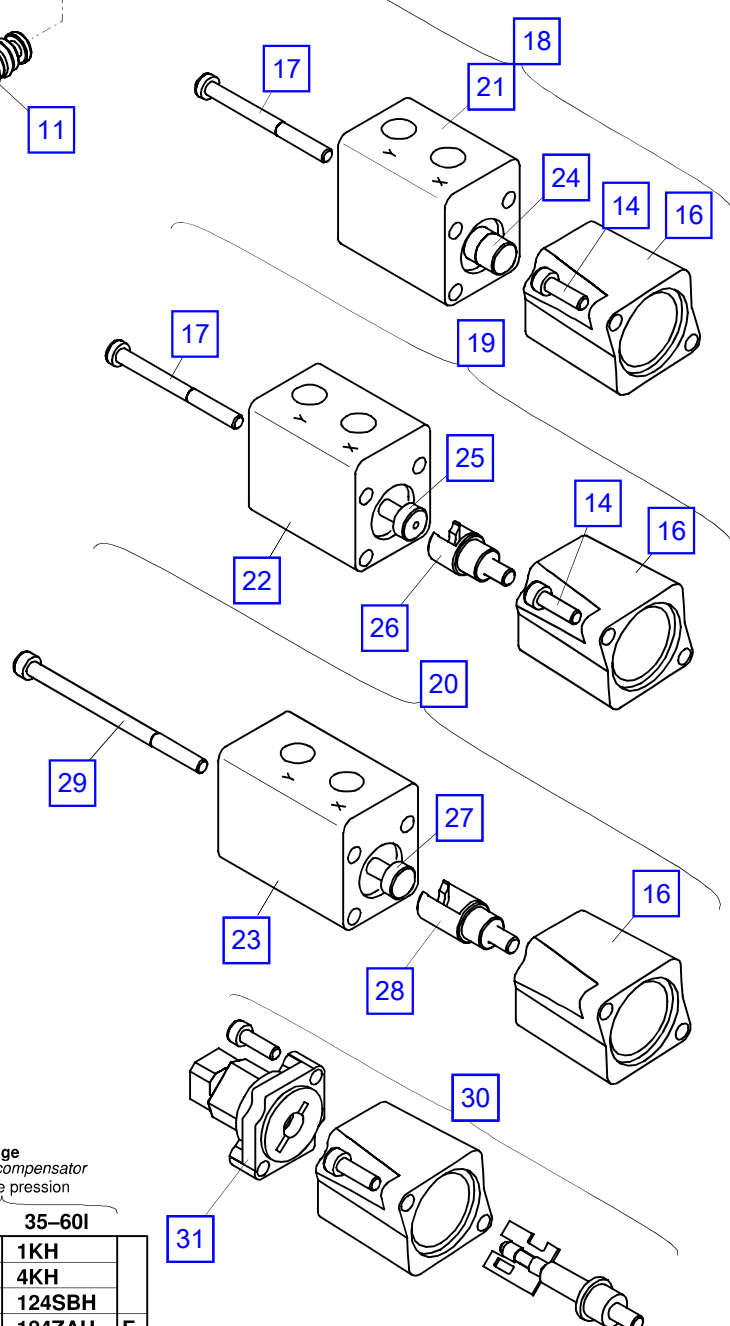
6 = Tige de piston avec mise a vide cote-B

7 = Tige de piston sans mise a vide

Max. Durchflußmenge
Quantity of flow max.
Quantite de passage max.

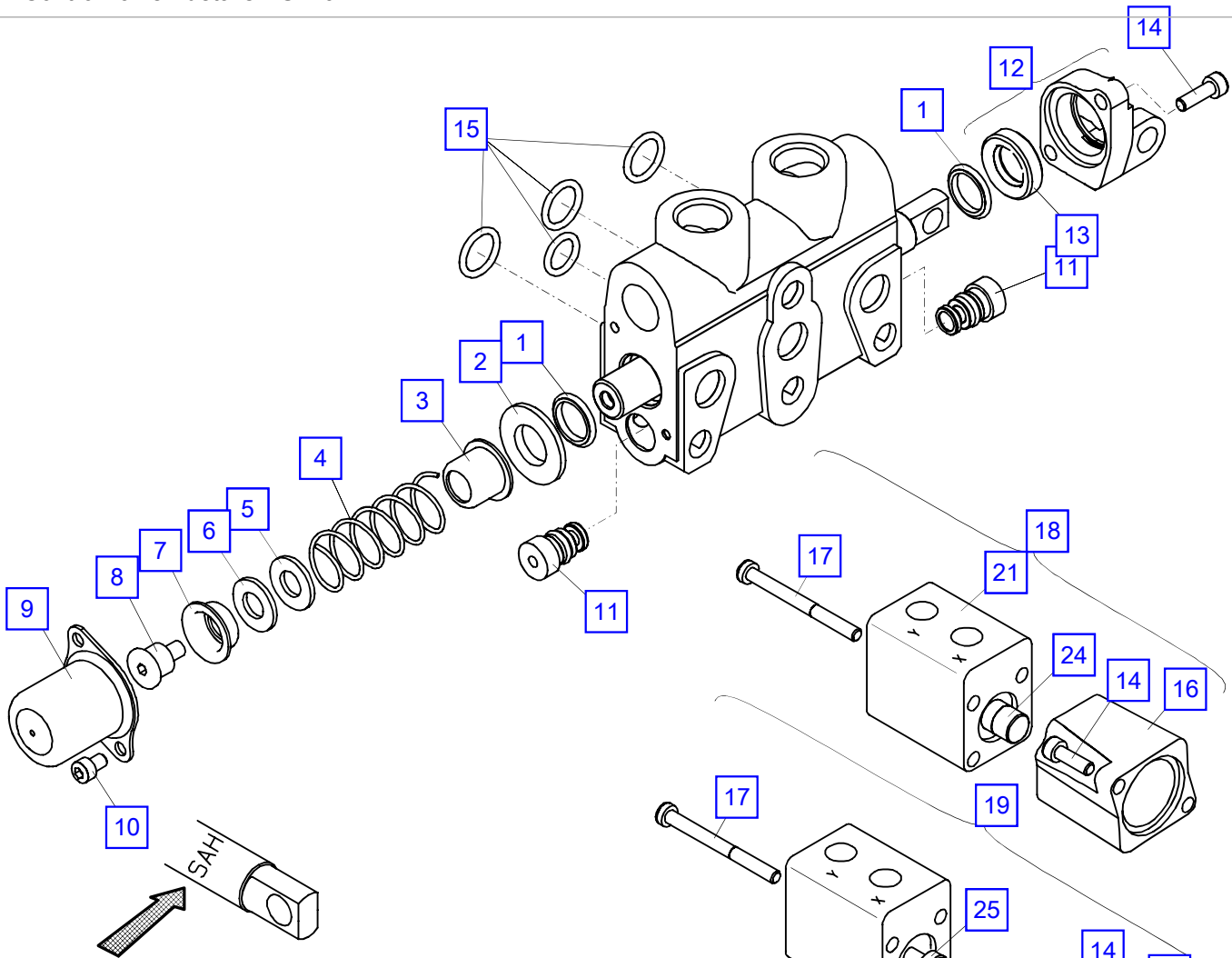
Druckwaage
Pressure compensator
Balance de pression

	20-30l	30-50l	35-60l	35-50l	35-60l	
1	1DH	1KH	1KH	1KH	1KH	
2	4DH	4KH	4KH	4KH	4KH	
3	12SAH,13SAH	14SAH,15SAH	14SBH	124SAH	124SBH	
4	12ZAH,13ZAH	14ZAH,15ZAH	14ZAH	124ZAH	124ZAH	F
	12ZBH	14ZBH	14ZBH	124ZBH	124ZBH	H
5	12XAH,13XA(B)H	14XAH,15XAH	14XAH	124XAH	124XAH	
6	12YAH	14YAH	14YAH	124YAH	124YAH	
7	13ABH	15ABH				



Dok Nr.: rs210

No.	Spare part	Qty.	Description	Dimension
1	ED 076	2	O-ring with back up ring	
2	EK 120	1	Washer	
3	EK 122	1	Spring cap	
4	EF 036	1	Pressure spring	
5	EK 724	1	Washer (slewing)	s=0.5 mm
6	EK 746	1	Washer (slewing)	s=0.3 mm
7	EK 121	1	Spring cap	
8	ES 176	1	Screw	NORDHYDRAULIK NR. 2646971
9	EV 982	1	Spring cap	
10	ES 497	2	Screw	M 5x6 DIN 912
11	EV 164	2	Check valve	
12	EV4462	1	Lever bearing (+13)	
13	ER 009	1	Seal ring	
14	ES 172	6	Screw	M 5x16 DIN 912
15	TD 050		Seal kit	
16	EV1121	3	Spring cap	
17	ES 316	4	Screw	M 5x55 DIN 7984
18	EV1093	1	Lock cylinder, cpl. (pushing)	
19	EV1094	1	Lock cylinder, cpl. (pulling)	
20	EV5451 TD1144	1 1	Lock cylinder, cpl. Seal kit (double-acting)	
21	EV1122	1	Lock cylinder (pushing)	
22	EV1123	1	Lock cylinder (pulling)	
23	EV2758	1	Lock cylinder (double-acting)	
24	EV1573	1	Piston (pushing)	
25	EV1572	1	Piston (pulling)	
26	ES 498	1	Traction screw	FÜR EV 983
27	EV2759	1	Piston (double-acting)	
28	ES1055	1	Traction screw	
29	ES1054	2	Screw	M 5x80 DIN 912
30	EV3614	1	Spool position control (Paltronic)	
31	EV5090	1	Spool position control (Paltronic)	



Kennzeichnung der Schieberstange

Indication of piston rod

Caracterisation de tige de piston

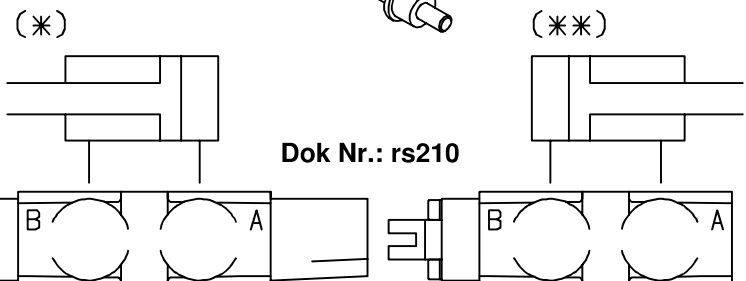
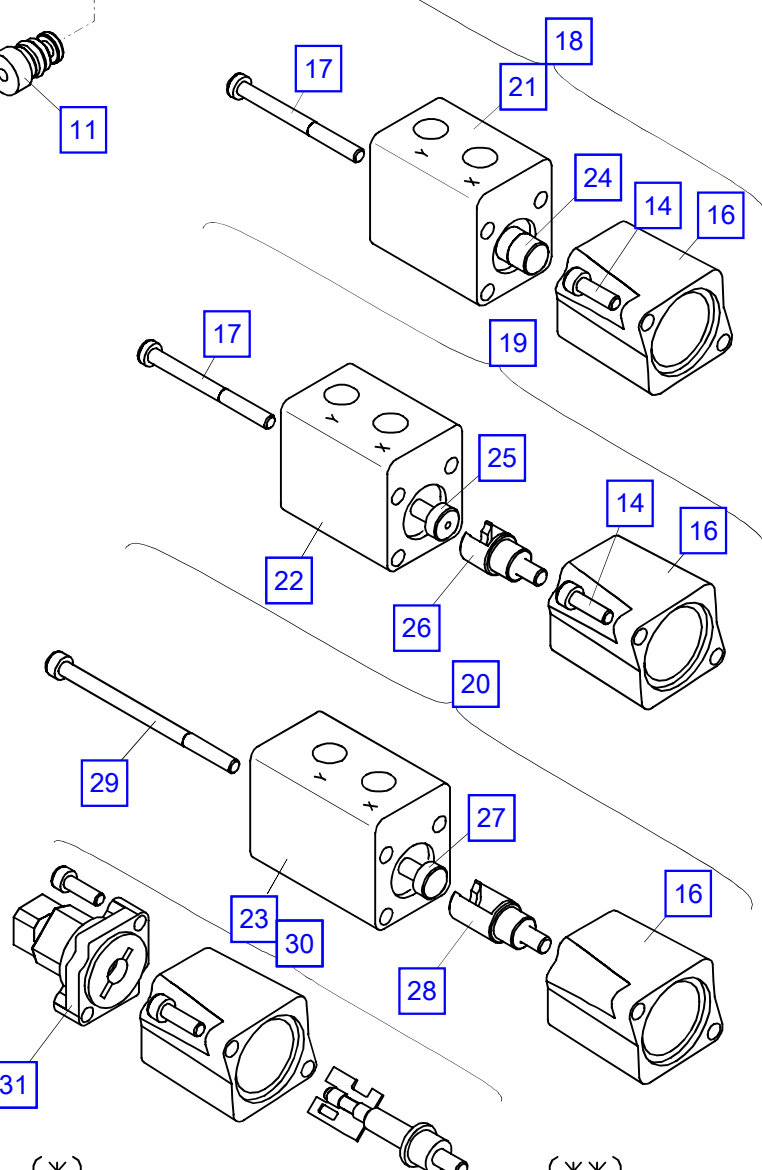
Nenndurchfluß/Pumpe
Nominal discharge/pump
Debit nominal/pompe **40-60l**

1		
2	125SAH	
3	125ABH	125ADH
4	125ACH	125AEH
5	125ZCH	125ZAH
6		

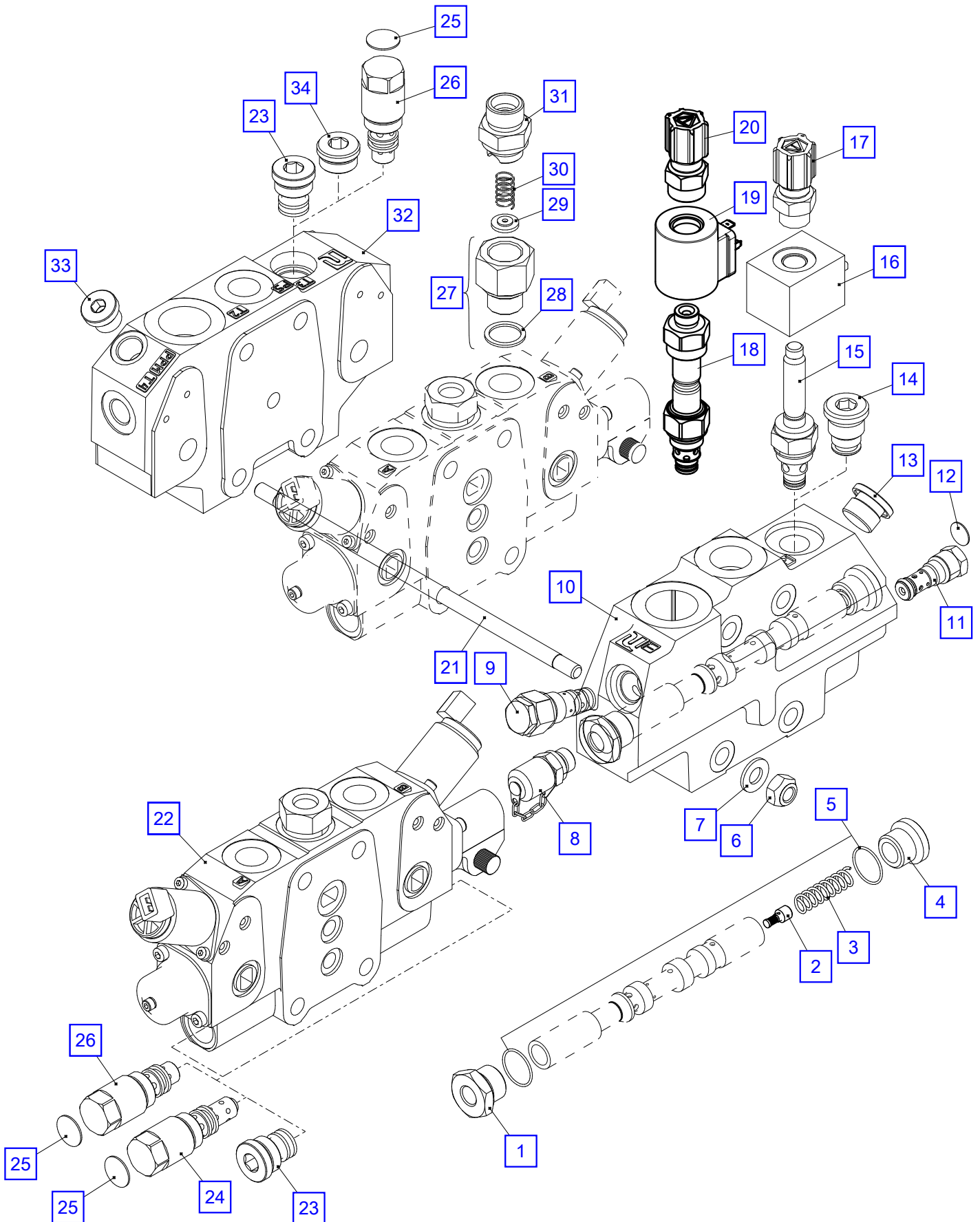
- 1 = Standard Schieberstange
- 2 = Schieberstange für Schwenkelement
- 3 = Schieberstange asymmetrisch Anschluß (*)
- 4 = Schieberstange asymmetrisch Anschluß (**)
- 5 = Schieberstange mit beidseitiger Leckagenut
- 6 = Schieberstange mit offener Nullstellung

- 1 = Standard piston rod
- 2 = Piston rod for slewing system
- 3 = Piston rod assymetric terminal (*)
- 4 = Piston rod assymetric terminal (**)
- 5 = Piston rod with drain groove both sided
- 6 = Piston rod with open O-position

- 1 = Tige de piston standard
- 2 = Tige de piston pour element de rotation
- 3 = Tige de piston asymetriques borne (*)
- 4 = Tige de piston asymetriques borne (**)
- 5 = Tige de piston avec mise a vide deux cotes
- 6 = Tige de piston avec position ouvert



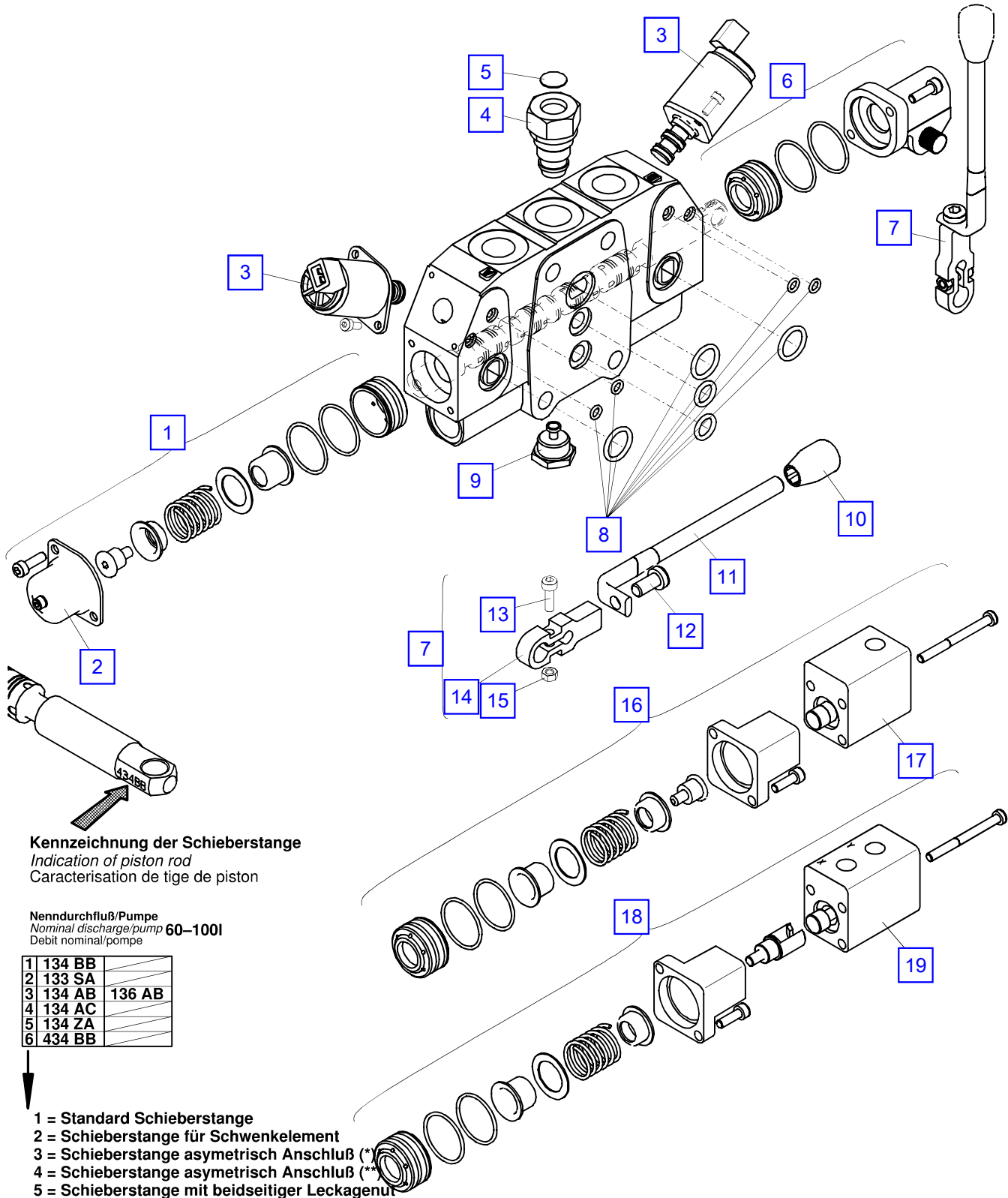
No.	Spare part	Qty.	Description	Dimension
1	ED 076	2	O-ring with back up ring	
2	EK 120	1	Washer	
3	EK 122	1	Spring cap	
4	EF 036	1	Pressure spring	
5	EK 724	1	Washer (slewing)	s=0.5 mm
6	EK 746	1	Washer (slewing)	s=0.3 mm
7	EK 121	1	Spring cap	
8	ES 176	1	Screw	NORDHYDRAULIK NR. 2646971
9	EV 982	1	Spring cap	
10	ES 497	2	Screw	M 5x6 DIN 912
11	EV 164	2	Check valve	
12	EV4462	1	Lever bearing (+13)	
13	ER 009	1	Seal ring	
14	ES 172	6	Screw	M 5x16 DIN 912
15	TD 050		Seal kit	
16	EV1121	3	Spring cap	
17	ES 316	4	Screw	M 5x55 DIN 7984
18	EV1093	1	Lock cylinder, cpl. (pushing)	
19	EV1094	1	Lock cylinder, cpl. (pulling)	
20	EV5451 TD1144	1 1	Lock cylinder, cpl. Seal kit (double-acting)	
21	EV1122	1	Lock cylinder (pushing)	
22	EV1123	1	Lock cylinder (pulling)	
23	EV2758	1	Lock cylinder (double-acting)	
24	EV1573	1	Piston (pushing)	
25	EV1572	1	Piston (pulling)	
26	ES 498	1	Traction screw	FÜR EV 983
27	EV2759	1	Piston (double-acting)	
28	ES1055	1	Traction screw	
29	ES1054	2	Screw	M 5x80 DIN 912
30	EV3614	1	Spool position control (Paltronic)	
31	EV5090	1	Spool position control (Paltronic)	



No.	Spare part	Qty.	Description	Dimension
1	EA1828	1	Reduction	RI 1/2*1/4"
2	EV4557	1	Check valve	
3	EF 148	1	Spring	
4	EA1827	1	Locking screw	
5	TD 953	1	Seal kit	
6	EM 021	4	Nut	DIN 985 M10 CL8 ZB
7	EK 007	4	Washer	D 10.5 ISO7089
8	EA 716	1	Dial gauge connection	EMA3 R1/4"
9	EV4567	1	Pressure regulator valve	
	TD 961	1	Seal kit	
10	EV4562	1	Inlet element	RSQ 240 RC
	TD 962	1	Seal kit for Fixed displacement pump	
10	EV5173	1	Inlet element for Variable displacement pump	RSQ 240 RC
11	EV5714	1	Main relief valve	35-350 bar
	TD 955	1	Seal kit	
12	EB1976	1	Lead seal	
13	EA 261		Locking screw	VSTI R1/2"
14	EV2773	1	Blind plug	
	TD 954	1	Seal kit	
15	EV4615	1	Solenoid valve	
	TD 239	1	Seal kit	
16	EV2811	1	Magnet coil d=13 mm	12 V
16	EV2812	1	Magnet coil d=13 mm	26 V
17	HLA1123	1	Protecting cap	
18	EV4615A	1	Solenoid valve	
19	EEA15739	1	Magnet coil d=16 mm	12 V
19	EEA15740	1	Magnet coil d=16 mm	26 V
20	EV8790	1	Protecting cap	
21	ES1404	1	Anchor bolt, cpl. (4-elements)	
21	ES1405	1	Anchor bolt, cpl. (5-elements)	
21	ES1406	1	Anchor bolt, cpl. (6-elements)	
21	ES1407	1	Anchor bolt, cpl. (7-elements)	
22	EV4951		Control valve element (slewing)	133 SA RC
22	EV4952		Control valve element (Main boom) (Outer boom)	134 AC RC
22	EV4953		Control element (Outer boom)	134 AB RC
22	EV4954		Control valve element (Boom extension)	134 ZA RC
22	EV4955		Control valve element Auxiliary equipment	134 BB RC
22	EV4956		Control valve element	434BB
	EV4936	0	Spool Rope winch	434BB
22	EV5208		Control valve element (slewing)	133 SB RC
22	EV5211		Control valve element (Main boom) (Outer boom)	135 AC RC
22	EV5217		Control valve element (Boom extension)	135 ZA RC

No.	Spare part	Qty.	Description	Dimension
23	EV4546	1	Plug	
	TD 956	1	Seal kit	
24	EV4560/...	1	Pressure relief valve	-->300 bar
	TD 956	1	Seal kit	
25	EB 925		Lead seal	
26	EV4935/...	1	Relief pressure valve without anti cavitation valve	-->300 bar
	TD 956	1	Seal kit	
26	EV5117/...		Relief pressure valve without anti cavitation valve	300 bar-->
	TD 956	0	Seal kit	
27	HLA 372	2	Fitting	
28	ED 170	2	Seal ring	R 1/2"
29	HD 073	2	Restrictor	D 2,0 mm
30	EF 008	2	Spring	D 11x0.8x22
31	EA 590	2	Fitting	GE 12 SR 1/2"ED
32	EV4563	1	End element	RSQ 240 RC
33	EA 442	1	Locking screw	VSTI R3/8"
34	EV4547	1	Locking screw	

this page is intentionally left blank



Kennzeichnung der Schieberstange
Indication of piston rod
 Caracterisation de tige de piston

Neendurchfluß/Pumpe
Nominal discharge/pump **60-100l**
 Debit nominal/pompe

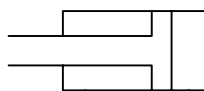
1	134 BB	
2	133 SA	
3	134 AB	136 AB
4	134 AC	
5	134 ZA	
6	434 BB	

- 1 = Standard Schieberstange
- 2 = Schieberstange für Schwenkelement
- 3 = Schieberstange asymmetrisch Anschluß (*)
- 4 = Schieberstange asymmetrisch Anschluß (**)
- 5 = Schieberstange mit beidseitiger Leckagenut
- 6 = Schieberstange mit offener Nullstellung

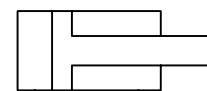
- 1 = Standard piston rod
- 2 = Piston rod for slewing system
- 3 = Piston rod assymetric terminal (*)
- 4 = Piston rod assymetric terminal (**)
- 5 = Piston rod with drain groove both sided
- 6 = Piston rod with open O-position

- 1 = Tige de piston standard
- 2 = Tige de piston pour element de rotation
- 3 = Tige de piston asymetriques borne (*)
- 4 = Tige de piston asymetriques borne (**)
- 5 = Tige de piston avec mise a vide deux cotes
- 6 = Tige de piston avec position ouvert

(*)

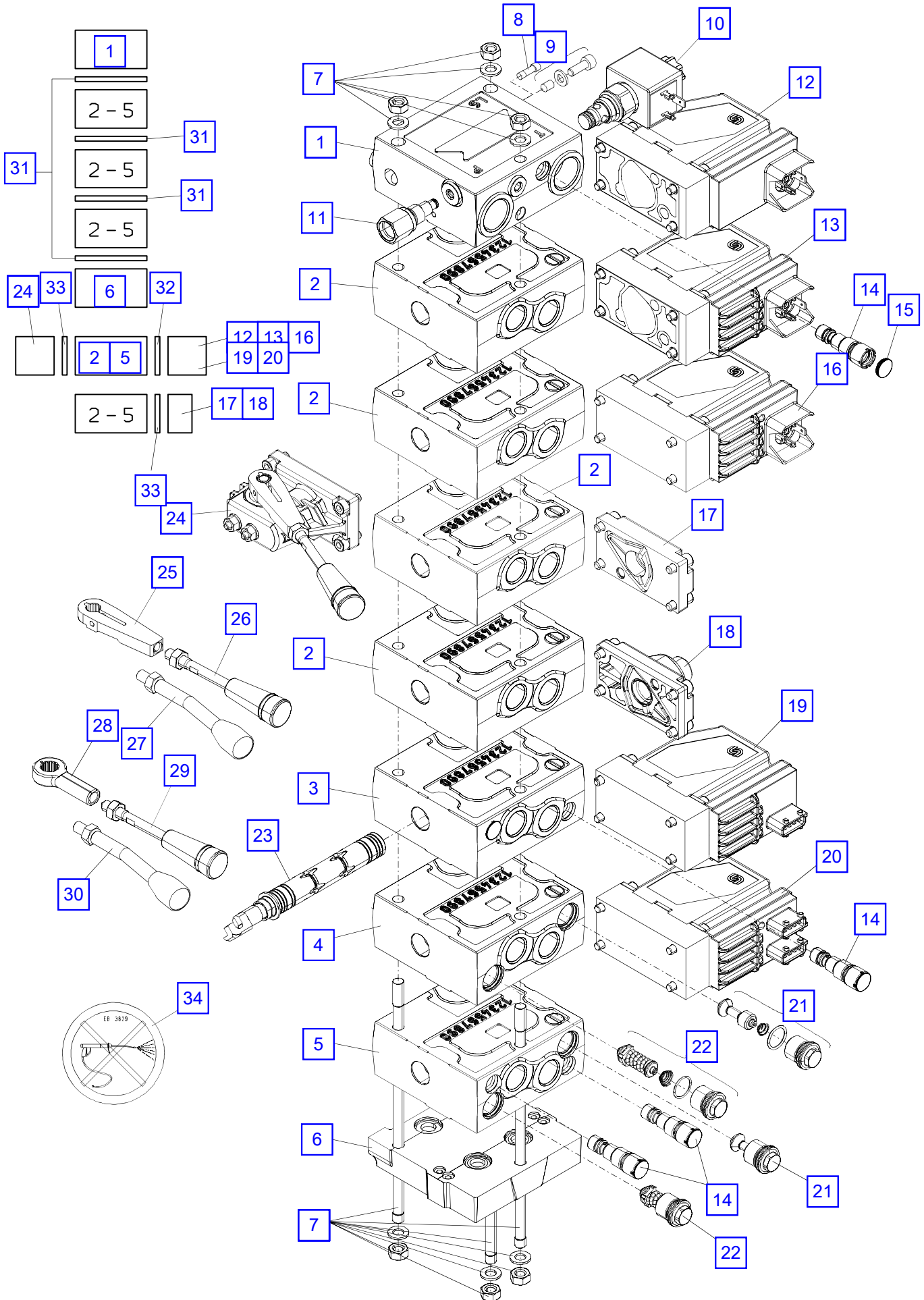


(**)



No.	Spare part	Qty.	Description	Dimension
1	EK 882	1	Spring cap cplt.	RSQ 240 RC
2	EV4555	1	Spring cap	RSQ 240 RC
3	EV4554-12V	2	Solenoid	12V
	TD1757	2	Seal kit	
3	EV4554-24V	2	Solenoid	24V
	TD1757	2	Seal kit	
4	EV4542	1	Check valve	RSQ 240
	TD 964	1	Seal kit	
5	EB1976	1	Lead seal	
6	EV4535	1	Lever bearing	RSQ 240
	TD 963	1	Seal kit cplt.	
7	HH 439	1	Control lever, black	
8	TD 960	1	Seal kit	
9	EV4543	1	One way restrictor	RSQ 240
	TD 964	1	Seal kit	
10	EK 871	1	Handle, black	
11	HH 438	1	Control lever	
12	ES 051	1	Screw	M 8x16 DIN 7984 8.8
13	ES 172	1	Screw	M 5x16 DIN 912
14	EV4536	1	Lever support	
15	EM 018	1	Nut	M5 DIN 934
16	EV4471	1	Lock cylinder, cpl.	RSQ 240 RC
	TD 940	1	Seal kit (pushing)	
17	EV4969	1	Lock cylinder (pushing)	RSQ 240 RC
18	EV5453	1	Lock cylinder, cpl. (double-acting)	RSQ 240 RC
19	EV4970	1	Lock cylinder (double-acting)	RSQ 240 RC

Control valve PVG32



No.	Spare part	Qty.	Description	Dimension
1	EV1395	1	Inlet element	PVP-157B5110
1	EV1892	1	Inlet element	PVP-157B5111
1	EV2181	1	Inlet element	PVP-157B5112
1	EV2654	1	Inlet element	PVP-157B5101
1	EV2919	1	Inlet element	PVP-157B5100
1	EV3025	1	Inlet element	PVP-157B5113
1	EV5613	1	Inlet element	PVP-11008849
1	TD 312	1	Seal kit (for no.1)	157B5999
2	EV2344	1	Control valve	PVB
	TD 313	1	Seal kit	157B6999
3	EV4141	1	Control valve	PVB-157B6203
	TD 313	1	Seal kit	157B6999
4	EV4142	1	Control valve	PVB-157B6230
	TD 313	1	Seal kit	157B6999
5	EV4143	1	Control valve	PVB-157B6233
	TD 313	1	Seal kit	157B6999
	EV4144		Control valve	PVB-157B6130
	TD 313	0	Seal kit	157B6999
6	EV2535	1	End cover	PVSI-157B2014
6	EV3826	1	End cover	PVSI-157B2015
7	ES 998	1	Tension rod (1-elements)	157B8001
7	ES 999	1	Anchor bolt, cpl. (2-elements)	157B8002
7	ES1000	1	Anchor bolt, cpl. (3-elements)	157B8003
7	ES1001	1	Anchor bolt, cpl. (4-elements)	157B8004
7	ES1002	1	Anchor bolt, cpl. (5-elements)	157B8005
7	ES1003	1	Anchor bolt, cpl. (6-elements)	
7	ES1004	1	Anchor bolt, cpl. (7-elements)	157B8007
7	ES1005	1	Anchor bolt, cpl. (8-elements)	157B8008
7	ES1006	1	Anchor bolt, cpl. (9-elements)	157B8009
7	ES1007	1	Anchor bolt, cpl. (10-elements)	157B8010
8	EV4391	1	Plug for Fixed displacement pump	155L5153
9	EV1576	1	Retrofit kit for Variable displacement pump	
10	EV3648-12V	1	Switch actuation	157B4256
10	EV3648-24V	1	Switch actuation	157B4258
11	EV2039	1	Plug	157B5400
12	EV3024-12V	1	Switch actuation	PVEO-157B4216
12	EV8279-24V	1	Switch actuation	PVEO-11166743
13	EV8279-12V	1	Switch actuation	PVEM-157B4516
13	EV8276	1	Proportional manipulation	PVEH-11166817
14	EV1404	1	Pressure relief valve	-->11/2003
14	EV5515	1	Pressure relief valve	11/2003-->
15	EZ2398	1	Sealing cap Colour yellow	
16	EV5468	1	Proportional manipulation	PVEH-157B4032
17	EV1401	1	Cover	PVM-157B0001
18	EV2462	1	Cover	157B0008
18	EV5072	1	Cover	PMVR-157B0004
19	EV8277	1	Proportional manipulation	PVEH-11166818
20	EV8278	1	Proportional manipulation	PVEHDI-11166819
21	EV4145	1	Anti cavitation valve	PVLA-157B2001
22	EV4021/...	1	Port relief valve	PVLP-157B2...
23	EV....	1	Control spool see page 050.0200	157B....

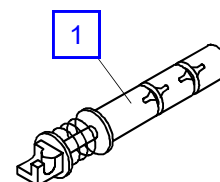
Control valve PVG32

No.	Spare part	Qty.	Description	Dimension
24	EV1400	1	Housing, cpl. (+25,26)	PVM-157B3171
24	EV4390	1	Housing, cpl. (+25,26)	157B3172
25	EZ1509	1	Lever support (22.5 degree)	155L3450
25	EZ1510	1	Lever support (37.5 degree)	155L3451
26	EZ1511	1	Hand lever	155L3151
27	HH 435	1	Control lever, cpl.	l = 118,4mm
28	EZ3302	1	Lever support	11064641
29	EZ4762	1	Control lever	
30	HH 435A	1	Control lever, black	l = 145,4mm
31	TD 316		Seal kit	157B8999
32	TD 315		Seal kit	157B4997
33	TD 314		Seal kit	157B3999
34	EB3829	1	Sign	

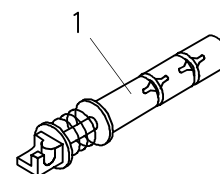
this page is intentionally left blank

Spool

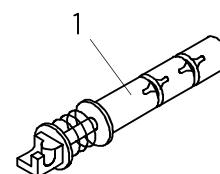
- 157B7*** = Standardschieberstange
- 157B9*** = Spezialausführung
- 157B*0** = beidseitig geschlossene Nullstellung
- 157B*1** = beidseitig offene Nullstellung
- 157B*2** = Schieberstange für einfach wirkende Zylinder, Heben (Anschluß A)
- 157B*3** = Schieberstange für einfach wirkende Zylinder, Heben (Anschluß B)
- 157B*4** = einseitig offene Nullstellung A--->T
- 157B*5** = einseitig offene Nullstellung B--->T
- 157B*6** = 4.Schaltstellung
- 157B**0* = ohne Primärventil, beidseitige Volumensteuerung
- 157B**1* = ohne Primärventil, beidseitige Drucksteuerung
- 157B**2* = mit Primärventil, beidseitige Volumensteuerung
- 157B**3* = mit Primärventil, beidseitige Drucksteuerung
- 157B**4* = ohne Primärventil, Drucksteuerung Seite A
- 157B**5* = ohne Primärventil, Drucksteuerung Seite B
- 157B**6* = mit Primärventil, Drucksteuerung Seite A
- 157B**7* = mit Primärventil, Drucksteuerung Seite B
- 157B***0 = max. 10 l/min.
- 157B***1 = max. 25 l/min.
- 157B***2 = max. 40 l/min.
- 157B***3 = max. 65 l/min.
- 157B***4 = max. 100 l/min.
- 157B***5 = max. 5 l/min.
- 157B***6 = max. 130 l/min.



- 157B7*** = control rod standard
- 157B9*** = special typ
- 157B*0** = neutral position two-sided closed
- 157B*1** = neutral position two-sided open
- 157B*2** = control rod for single effect cylinder, lift (link A)
- 157B*3** = control rod for single effect cylinder, lift (link B)
- 157B*4** = neutral position one-sided open A--->T
- 157B*5** = neutral position one-sided open B--->T
- 157B*6** = forth lever position
- 157B**0* = without primary fusing, volume-control two-sided
- 157B**1* = without primary fusing, pressure-control two-sided
- 157B**2* = with primary fusing, volume-control two-sided
- 157B**3* = with primary fusing, pressure-control two-sided
- 157B**4* = without primary fusing, pressure-control side A
- 157B**5* = without primary fusing, pressure-control side B
- 157B**6* = with primary fusing, pressure-control side A
- 157B**7* = with primary fusing, pressure-control side B
- 157B***0 = max. 10 l/min.
- 157B***1 = max. 25 l/min.
- 157B***2 = max. 40 l/min.
- 157B***3 = max. 65 l/min.
- 157B***4 = max. 100 l/min.
- 157B***5 = max. 5 l/min.
- 157B***6 = max. 130 l/min.



- 157B7*** = standard tige de commande
- 157B9*** = speciale conception
- 157B*0** = position neutral ferme de deux cote
- 157B*1** = position neutral ouvert de deux cote
- 157B*2** = tige de distributeur pour verin a simple effect, lever (contact A)
- 157B*3** = tige de distributeur pour verin a simple effect, lever (contact B)
- 157B*4** = position neutral ouvert de un cote A--->T
- 157B*5** = position neutral ouvert de un cote B--->T
- 157B*6** = quartrieme position de contact
- 157B**0* = sans primaire protection, volume de commande de deux cote
- 157B**1* = sans primaire protection, pression de commande de deux cote
- 157B**2* = avec primaire protection, volume de commande de deux cote
- 157B**3* = avec primaire protection, pression de commande de deux cote
- 157B**4* = sans primaire protection, pression de commande cote A
- 157B**5* = sans primaire protection, pression de commande cote B
- 157B**6* = avec primaire protection, pression de commande cote A
- 157B**7* = avec primaire protection, pression de commande cote B
- 157B***0 = max. 10 l/min.
- 157B***1 = max. 25 l/min.
- 157B***2 = max. 40 l/min.
- 157B***3 = max. 65 l/min.
- 157B***4 = max. 100 l/min.
- 157B***5 = max. 5 l/min.
- 157B***6 = max. 130 l/min.



No.	Spare part	Qty.	Description	Dimension
1	EV2673	1	Control spool	157B7000
1	EV7146	1	Control spool	11090866
1	EV1407	1	Control spool	157B7001
1	EV1891	1	Control spool	157B7020
1	EV7142	1	Control spool	11081827
1	EV2515	1	Control spool	157B9753
1	EV7375	1	Control spool	157B9650
1	EV1411	1	Control spool	157B7021
1	EV1412	1	Control spool	157B7022
1	EV1413	1	Spool	157B7023
1	EV1615	1	Control spool	157B7024
1	EV1890	1	Control spool	157B7025
1	EV3559	1	Control spool	157B7030
1	EV2144	1	Control spool	157B7031
1	EV2288	1	Control spool	157B7032
1	EV2065	1	Control spool	157B7033
1	EV3832	1	Control spool	157B7035
1	EV1408	1	Control spool	157B7002
1	EV2120	1	Control spool	157B7041
1	EV2066	1	Control spool	157B7042
1	EV1904	1	Spool	157B7043
1	EV4313	1	Control spool	157B7051
1	EV2500	1	Control spool	157B7052
1	EV2068	1	Control spool	157B7053
1	EV1414	1	Control spool	157B7061
1	EV1415	1	Control spool	157B7062
1	EV1416	1	Control spool	157B7063
1	EV1409	1	Control spool	157B7003
1	EV2067	1	Control spool	157B7064
1	EV2112	1	Control spool	157B7071
1	EV2069	1	Control spool	157B7072
1	EV3035	1	Spool	157B7073
1	EV2582	1	Control spool	157B7074
1	EV2993	1	Control spool	PVBS-157B7100
1	EV2501	1	Control spool	PVBS-157B7101
1	EV2063	1	Control spool	157B7102
1	EV2064	1	Control spool	157B7103
1	EV1903	1	Control spool	157B7104
1	EV2514	1	Control spool	157B7004
1	EV2619	1	Control spool	PVBS-157B7105
1	EV2989	1	Control spool	157B7111
1	EV2230	1	Control spool	157B7113
1	EV3061	1	Control spool	157B7120
1	EV2074	1	Control spool	157B7121
1	EV1417	1	Control spool	157B7122
1	EV1418	1	Control spool	157B7123
1	EV1877	1	Control rod	157B7124
1	EV3550	1	Control spool	157B7125
1	EV4175	1	Control spool	157B7126
1	EV2248	1	Control spool	157B7010
1	EV3496	1	Control spool	157B7131
1	EV2075	1	Control spool	157B7161
1	EV2062	1	Control spool	157B7162
1	EV3821	1	Spool	157B7163
1	EV2061	1	Control spool	157B7164
1	EV3401	1	Control spool	157B7171
1	EV2992	1	Control spool	157B7173
1	EV2005	1	Control spool	157B7174
1	EV4062	1	Control spool	157B7204

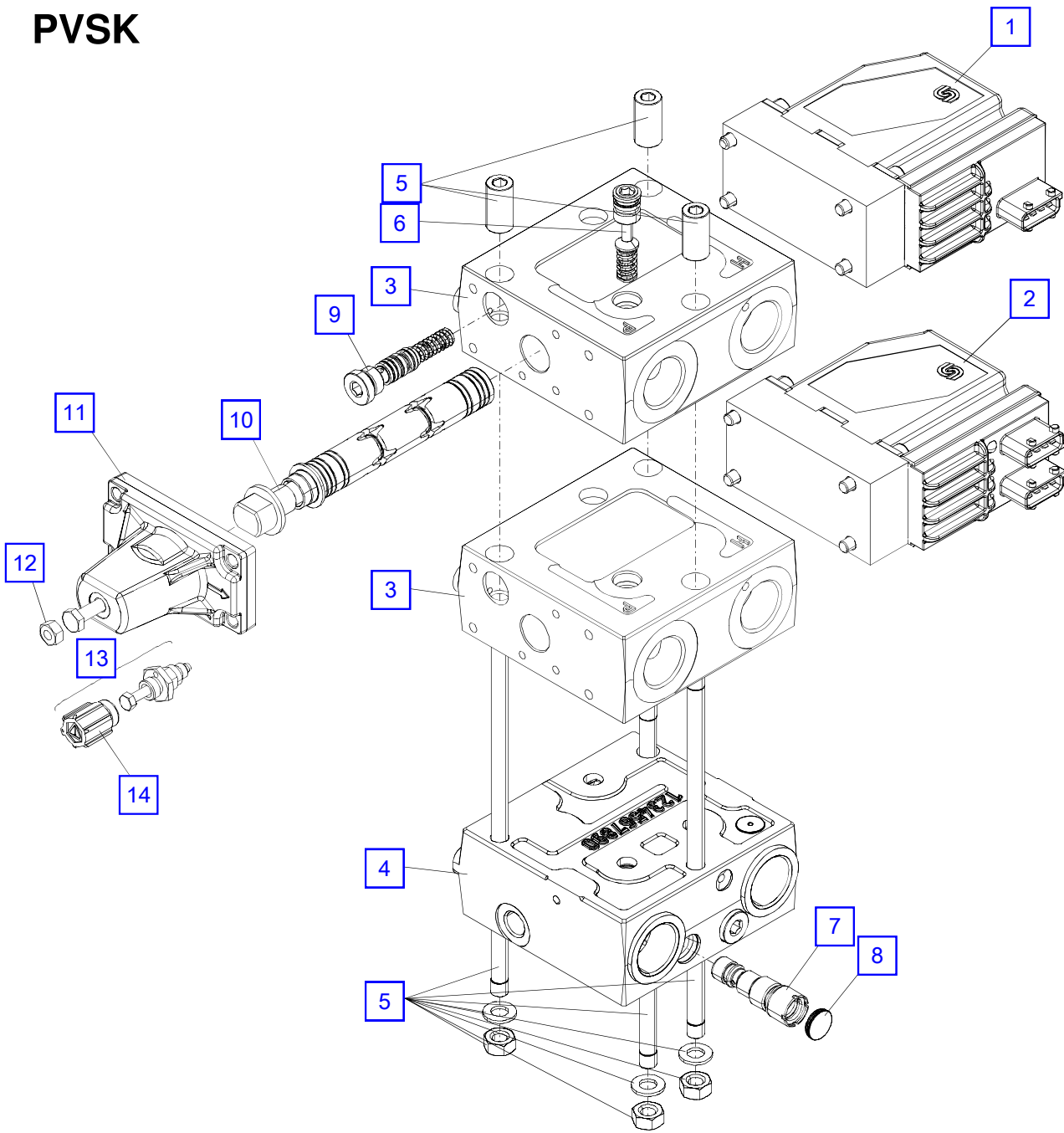
Spool

No.	Spare part	Qty.	Description	Dimension
1	EV2499	1	Control spool	157B7402
1	EV1410	1	Control spool	157B7011
1	EV1954	1	Control spool	157B7403
1	EV3951	1	Control spool	157B7404
1	EV3549	1	Control spool	157B7421
1	EV2164	1	Control spool	157B7422
1	EV1955	1	Control spool	157B7423
1	EV3964	1	Control spool	157B7424
1	EV2774	1	Control spool	157B7452
1	EV2410	1	Control spool	157B7453
1	EV2165	1	Control spool	157B7472
1	EV2179	1	Control spool	157B7473
1	EV3161	1	Control spool	157B7501
1	EV3798	1	Control spool	157B7012
1	EV2516	1	Control spool	157B7502
1	EV2674	1	Control spool	157B7503
1	EV2912	1	Control spool	157B7521
1	EV3632	1	Control spool	157B7522
1	EV1878	1	Control spool	157B7524
1	EV2268	1	Control spool	157B7542
1	EV2653	1	Control rod	157B7543
1	EV1718	1	Control spool	157B7562
1	EV1719	1	Control spool	157B7563
1	EV2090	1	Control spool	157B7013
1	EV3158	1	Control spool	157B9020
1	EV3159	1	Control spool	157B9021
1	EV2503	1	Control spool	157B9022
1	EV2502	1	Spool	157B9024
1	EV2277	1	Control spool	157B7112
1	EV3156	1	Spool	157B9064
1	EV3157	1	Control spool	157B9074
1	EV3160	1	Control spool	157B9120
1	EV4069	1	Control spool	157B9121
1	EV2504	1	Control spool	157B9124
1	EV3594	1	Control spool	157B7015
1	EV4320	1	Control spool	157B9528
1	EV4321	1	Control spool	157B9529
1	EV4352	1	Spool	157B9532
1	EV4353	1	Spool	157B9533
1	EV4354	1	Control spool	157B9534
1	EV4355	1	Control spool	157B9535
1	EV4356	1	Control spool	157B9536
1	EV4357	1	Control spool	157B9537
1	EV4358	1	Control spool	157B9538
1	EV4621	1	Control spool	157B9589

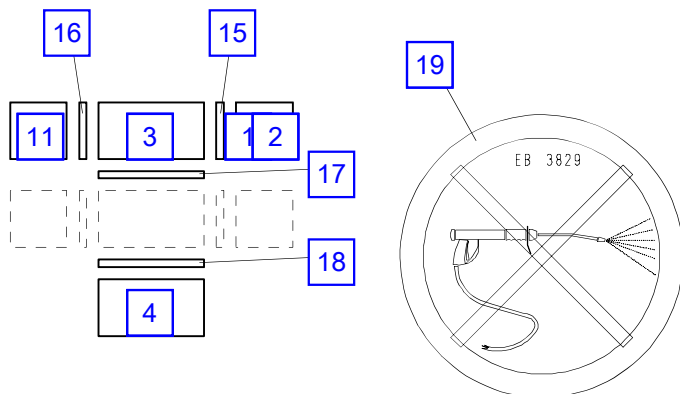
this page is intentionally left blank

Inlet cover-PVSK

PVSK



- CC—> Verstellpumpe
- OC—> Konstantpumpe
- CC—> Variable displacement pump
- OC—> Fixed displacement pump
- CC—> Pompe a cylindree variable
- OC—> Pompe a cylindre constante



No.	Spare part	Qty.	Description	Dimension
1	EV8280-12V	1	Switch actuation	PVEO-11166866
1	EV8280-24V	1	Switch actuation	PVEO-11166837
2	EV8281-12V	1	Switch actuation	PVEODI-11168740
2	EV8281-24V	1	Switch actuation	PVEODI-11166869
3	EV5052	1	Inlet element > 40l/min	PVSK-157B6935
3	EV5785	1	Inlet element < 40l/min	PVSK-11025306
4	EV5050	1	End cover (OC)	PVP-157B5945
4	EV5616	1	End cover	PVP-11008852
	TD 312	1	Seal kit (OC)	157B5999
4	EV5051	1	End cover	PVP-157B5946
	TD 312	1	Seal kit (CC)	157B5999
5	ES1439	1	Anchor bolt, cpl. (2-elements)	157B8052
5	ES1440	1	Anchor bolt, cpl. (3-elements)	157B8053
5	ES1417	1	Anchor bolt, cpl. (4-elements)	157B8054
5	ES1418	1	Anchor bolt, cpl. (5-elements)	157B8055
5	ES1419	1	Anchor bolt, cpl. (6-elements)	157B8056
5	ES1420	1	Anchor bolt, cpl. (7-elements)	157B8057
5	ES1421	1	Anchor bolt, cpl. (8-elements) (8-elements)	157B8058
6	EV4602	1	Pretension valve	PVSK-155L2151
7	EV1404	1	Pressure relief valve	-->11/2003
7	EV5515	1	Pressure relief valve	11/2003-->
8	EZ2398	1	Sealing cap Colour yellow	
9	EV4601	1	Pilot oil supply	PVSK-155L5157
10	EV5054	1	Control rod (OC) 40l/min	PVSK-157B9560
10	EV5350	1	Control rod (OC) 25l/min	PVSK-157B9644
10	EV5055	1	Control rod (CC) 40l/min	PVSK-157B9561
10	EV5351	1	Control rod (CC) 25l/min	PVSK-157B9645
10	EV5084	1	Control rod (OC)	PVSK-157B9580
10	EV8644	1	Control rod (CC)	11215840
10	EV5400	1	Control spool (OC) 40l/min	PVSK-157B9673
11	EV5049	1	Emergency manual operation (+12)	PVML-157B3200
12	EM 251	1	Sealing nut	
13	HLA1130	1	Emergency manual operation	
14	EK 917	1	Protecting cap	
15	TD 315		Seal kit	157B4997
16	TD 314		Seal kit	157B3999
17	TD 313	1	Seal kit	157B6999
18	TD 312	1	Seal kit	157B5999
19	EB3829	1	Sign	
	EV4603		Retrofit kit (CC --> OC)	

Inlet cover-PVSK

No.	Spare part	Qty.	Description	Dimension
	EV4604		Retrofit kit (OC --> CC)	

this page is intentionally left blank

Spare Parts Catalogue

PK 6500

(AB_Classic_Elektrik)

Edition 01/2001

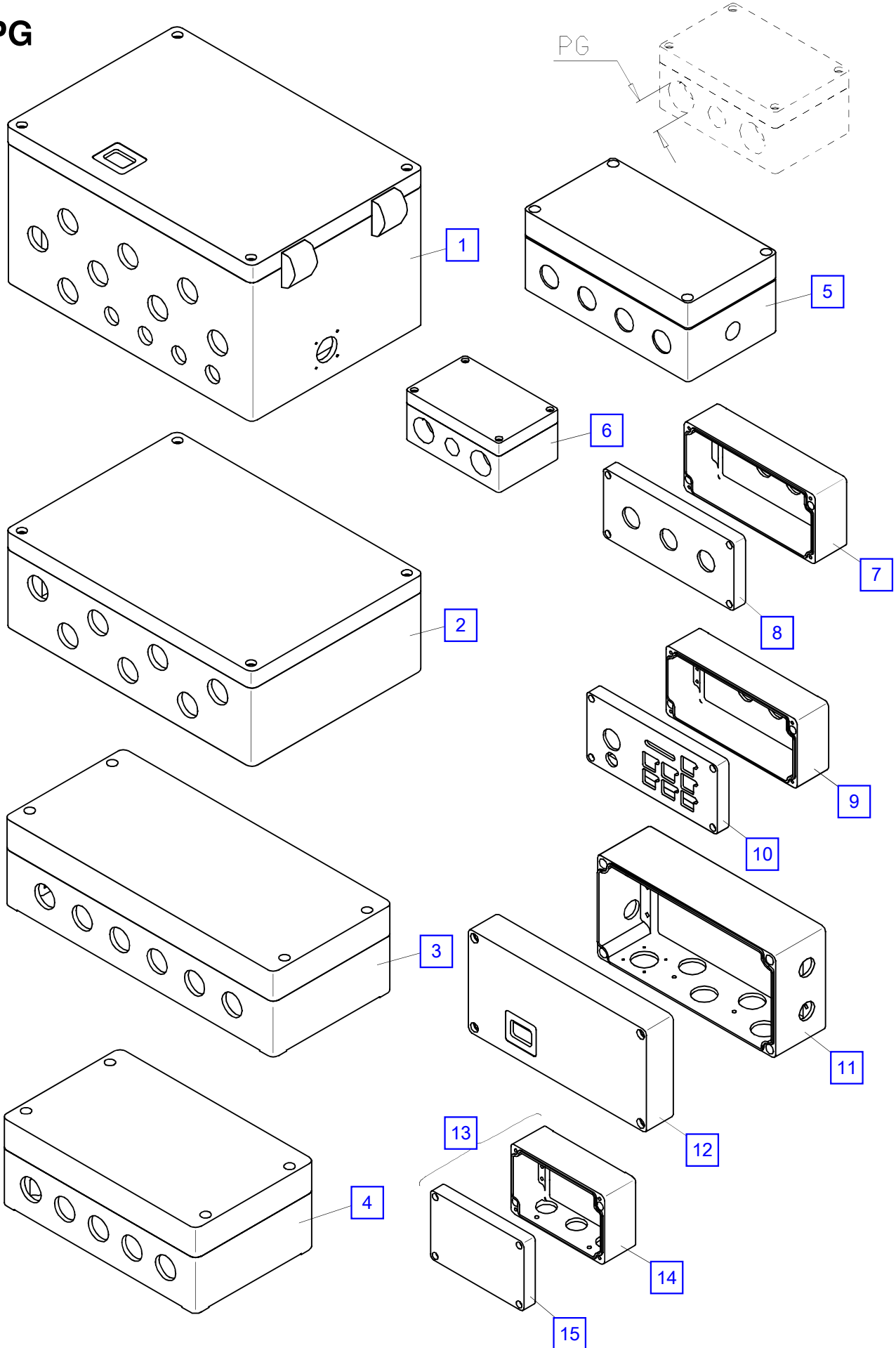
EN

PALFINGER AG
Lamprechtshausener Bundesstraße 8
5101 Bergheim / Austria
www.palfinger.com

Page	
010	BASIC ELEMENT
AB02 010.0100	Housing - PG
AB02 010.0200	Housing - (mm) 1
AB02 010.0300	Housing - (mm) 2
AB02 010.0400	Switch
AB02 010.0500	Electrical parts
020	MISCELLANEOUS
AB02 020.0100	Fitting
AB02 020.0200	Plug - auxiliary equipment
030	ELECTRICAL PARTS
AB02 030.0100	Basic element
AB02 030.0200	Control unit, cpl.
AB02 030.0300	Valve casing, cpl.
AB02 030.0400	Accessories (1)
AB02 030.0500	Accessories (2)
040	DECALS
AB02 040.0100	Decals (1)
AB02 040.0200	Decals (2)
AB02 040.0300	Decals (3)
050	WORKING LIGHT
AB02 050.0100	Working light

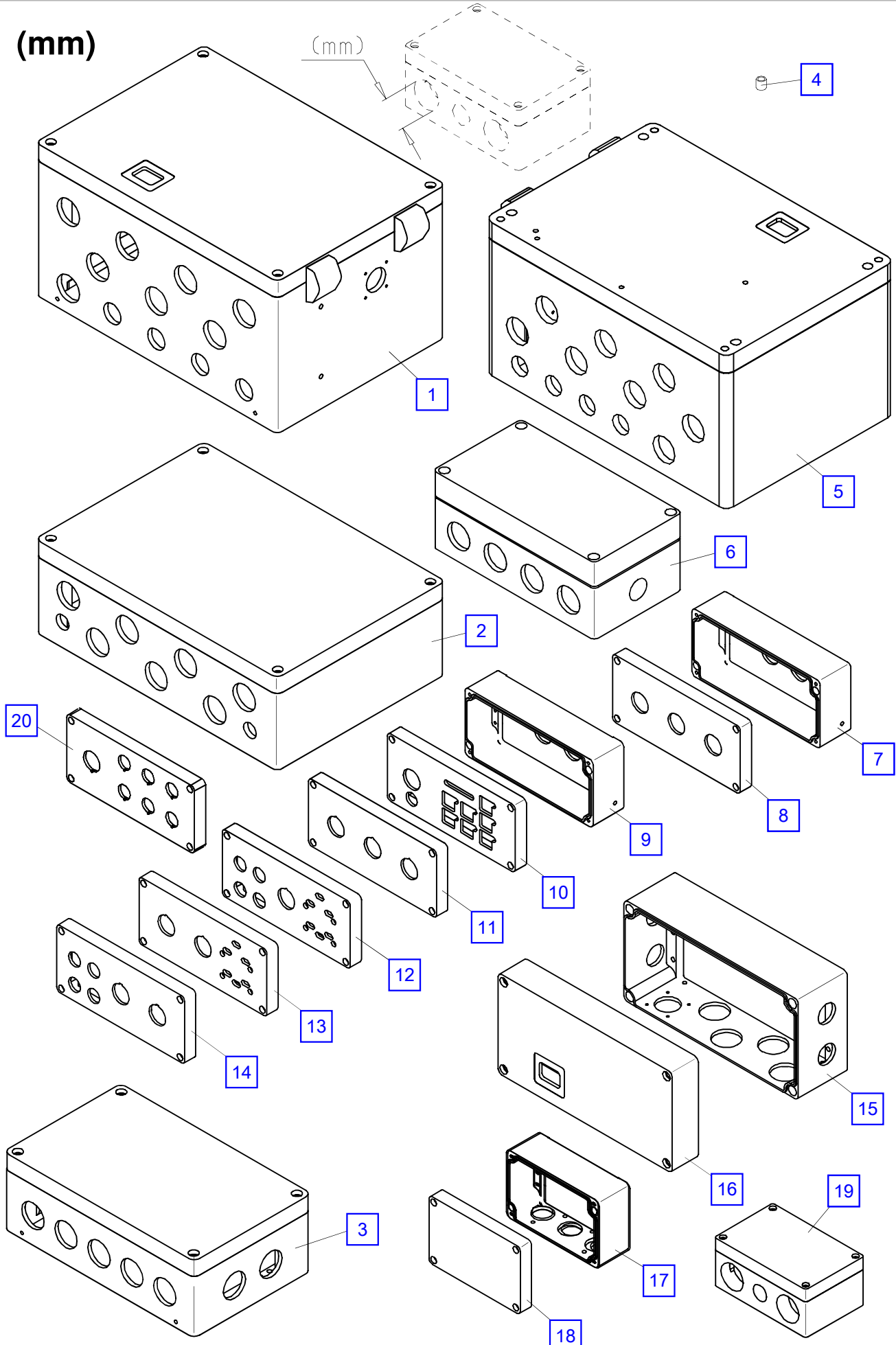
Housing - PG

PG



No.	Spare part	Qty.	Description	Dimension
1	EEA2842	1	Connection box	330x230x180
2	EEA 788	1	Connection box	330x230x110
3	HEEA 200	1	Connection box	360x160x90
4	EEA2695	1	Connection box	260x160x100
5	EEA1691	1	Connection box	220x120x91
6	EEA 928	1	Connection box	125x80x57
7	EEA2891	1	Base	
8	EEA2892	1	Cover (PVC)	175x80x15
9	EEA2707	1	Base	PG13.5
10	EEA2706	1	Cover	
11	EEA2703	1	Base	
12	EEA2702	1	Cover	
13	EEA1695	1	Connection box	125x80x57
14	EEA2705	1	Base	
15	EEA2704	1	Cover	

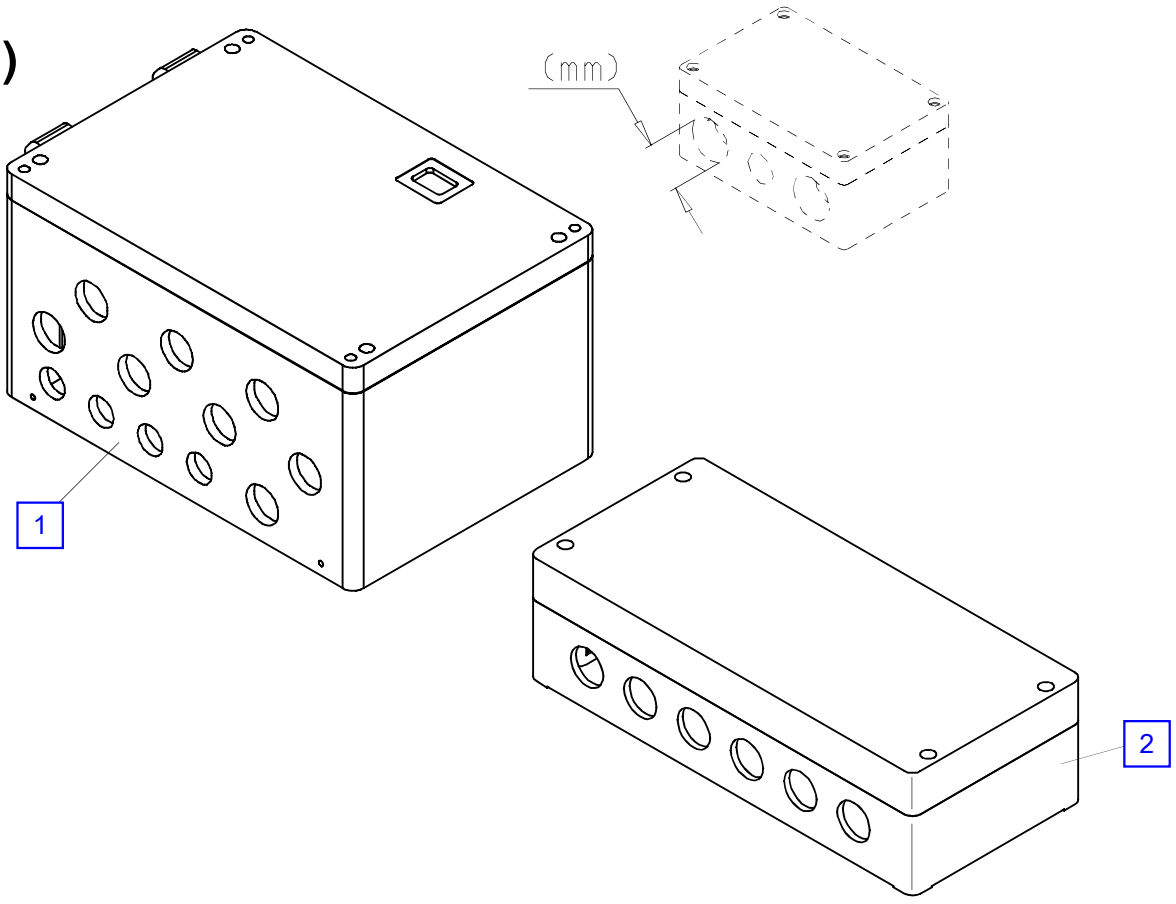
Housing - (mm) 1



No.	Spare part	Qty.	Description	Dimension
1	EEA3696	1	Connection box 4xM 25x1.5+8xM 32x1.5	330x230x180 mm
2	EEA3686	1	Connection box 7xM 20x1.5+9xM 32x1.5	330x230x110 mm
	ES3567	4	Screw	M 6x25 ISO4762
	ES3568	4	Screw	M 6x30 ISO4762
	ES3569	4	Screw	M 6x35 ISO4762
3	EEA3687	1	Connection box	260x160x100
	ES3567	4	Screw	M 6x25 ISO4762
	ES3568	4	Screw	M 6x30 ISO4762
	ES3569	4	Screw	M 6x35 ISO4762
4	EEA2887	4	Spacer (NK)	l=10 mm
5	EEA3547	1	Connection box 4xM 25x1.5+8xM 32x1.5	330x230x180 mm
6	EEA3693	1	Connection box 1xM 25x1.5+4xM 32x1.5	220x120x91 mm
7	EEA3691	1	Base (PVC) (PVC)	175x80x43.5
8	EEA2892	1	Cover (PVC)	175x80x15
9	EEA3689	1	Base	175x80x43.5
10	EEA2706	1	Cover	
11	EEA4143	1	Cover	
12	EEA4700	1	Cover	
13	EEA4701	1	Cover	
14	EEA4702	1	Cover	
15	EEA3692	1	Base	238x119x68.8
16	EEA2702	1	Cover	
17	EEA3690	1	Base	
18	EEA2704	1	Cover	
19	EEA3685	1	Connection box	125x80x57 mm
19	EEA5473	1	Connection box 4xM 25x1.5+2xM 32x1.5	140x140x92 mm
20	EEA 163	1	Cover	175x80x15

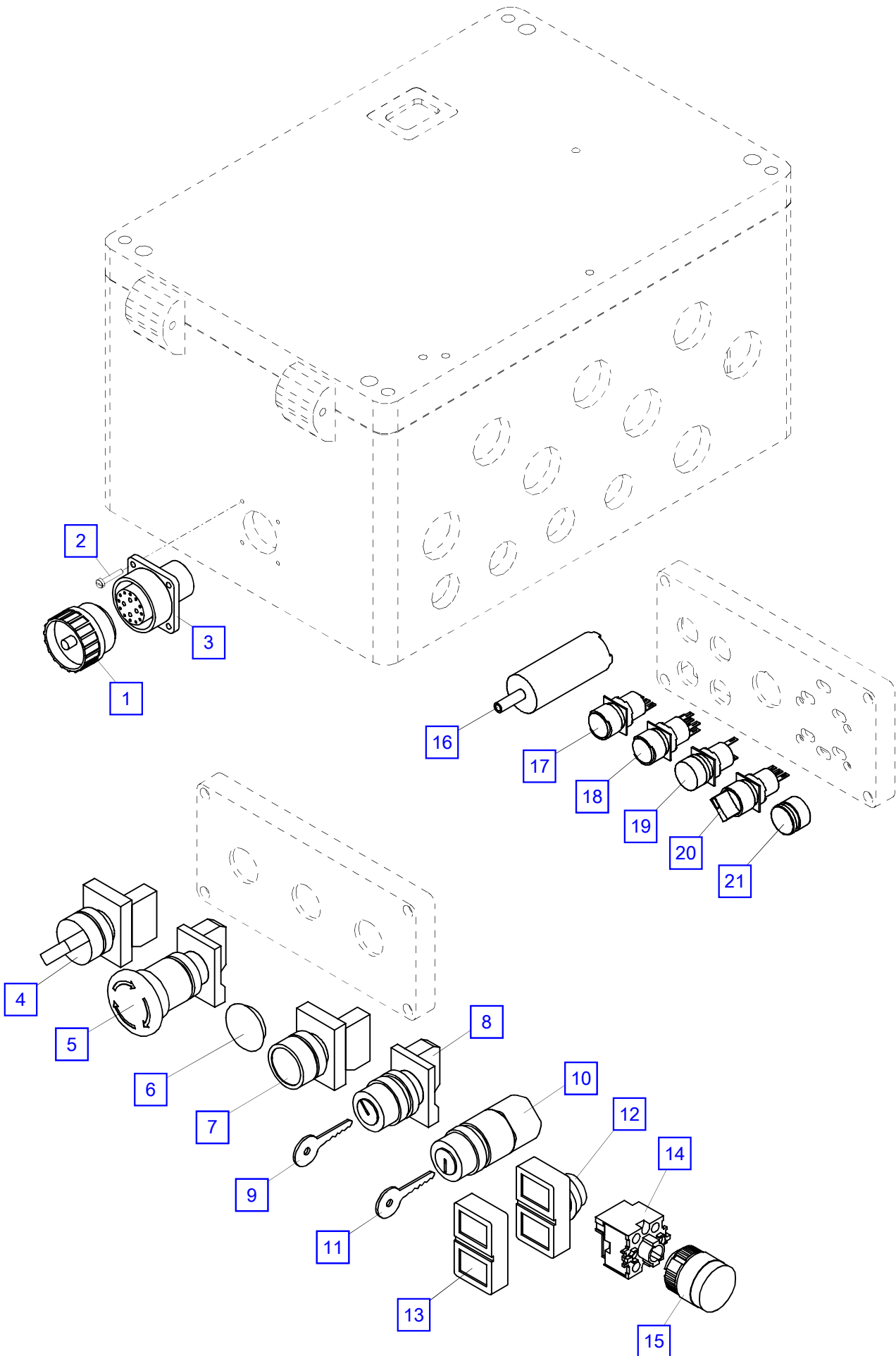
Housing - (mm) 2

(mm)

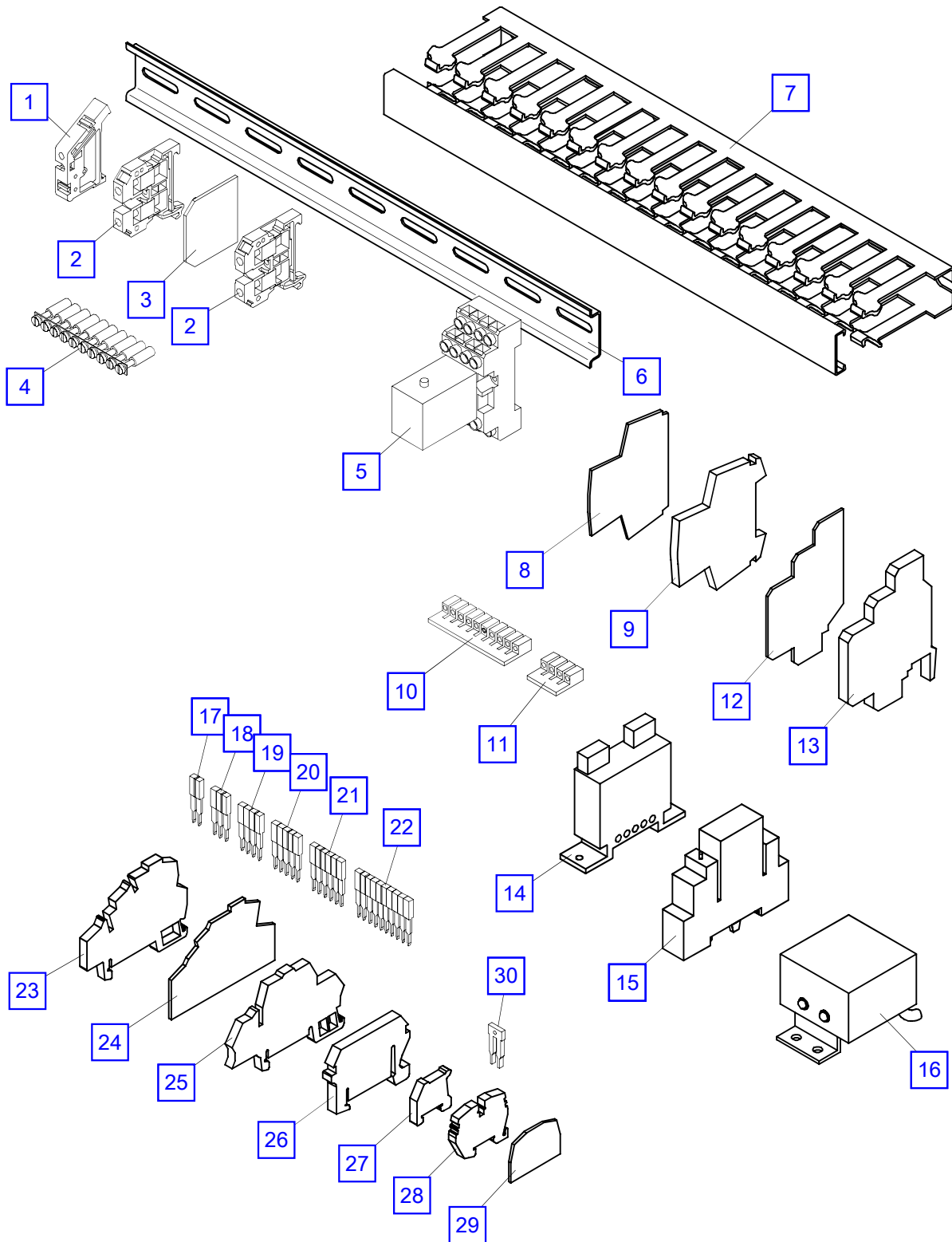


No.	Spare part	Qty.	Description	Dimension
1	EEA4244	1	Connection box 4xM 25x1.5+10xM 32x1.5	330x230x180 mm
	ES3567	4	Screw	M 6x25 ISO4762
	ES3568	4	Screw	M 6x30 ISO4762
	ES3569	4	Screw	M 6x35 ISO4762
2	EEA3688	1	Connection box 2xM 25x1.5+6xM 32x1.5	360x160x90 mm
	ES3567	4	Screw	M 6x25 ISO4762
	ES3568	4	Screw	M 6x30 ISO4762
	ES3569	4	Screw	M 6x35 ISO4762

Switch

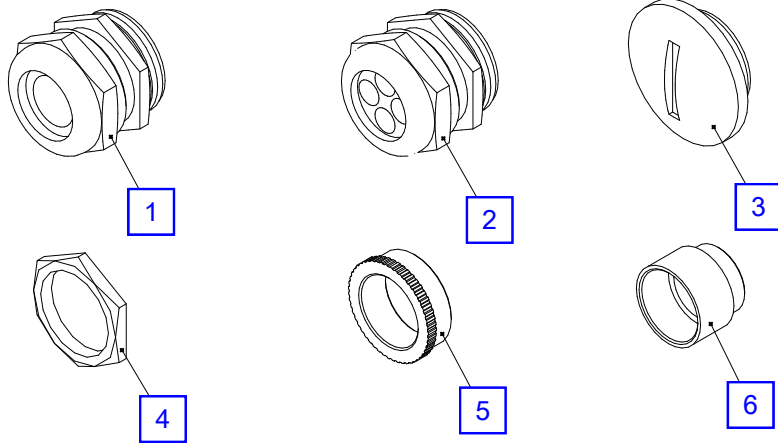


No.	Spare part	Qty.	Description	Dimension
1	EK 370	1	Protecting cap 14+PE	C16-3
2	ES 412	4	Screw	M 3x16 DIN 84
3	EEA 599	1	Plug box 14+PE	C16-3
	EEA5498	1	Contact	C16-3 0.5-1.5 mm ²
	EEA5500	1	Contact	C16-3 0.75-1 mm ²
	EEA 602	1	Contact	C16-3
	EEA 605	1	Contact	C16-3
4	EEA3008	1	Switch, black	
5	EEA2998	1	Emergency cut-off button	
6	EEA3001	1	Blind plug	
7	EEA2999	1	Button cpl. (normally open)	
	EEA3571	1	Protecting cap	
	EEA4183	1	Contact (normally open)	
	EEA5000	1	LED-module (green) without bearing	12V
	EEA5001	1	LED-module (red) without bearing	12V
	EEA5002	1	LED-module (yellow) without bearing	12V
	EEA5003	1	LED-module (blue) without bearing	12V
8	EEA3000	1	Key switch (2-positions) (2 positions)	
9	EEA3156	1	Key for EEA3000	RONIS 455
10	EEA3002	1	Key switch (3-positions) (3 positions)	
11	EEA3157	1	Key for EEA3002	RONIS 601
12	EEA3777	1	Switch	
13	EEA3778	1	Protecting cap	
14	EEA3268	2	Contact (normally open)	
15	EEA3311	2	Front element	
16	EEA4729	1	Installation Key	
17	EEA4722	1	Push button, black	
18	EEA4723	1	Push button, green	
18	EEA4725	1	Push button, green withLED	
19	EEA4724	1	Alarm lamp, green	
20	EEA4728	1	Switch	
21	EEA5041	1	Blind plug	

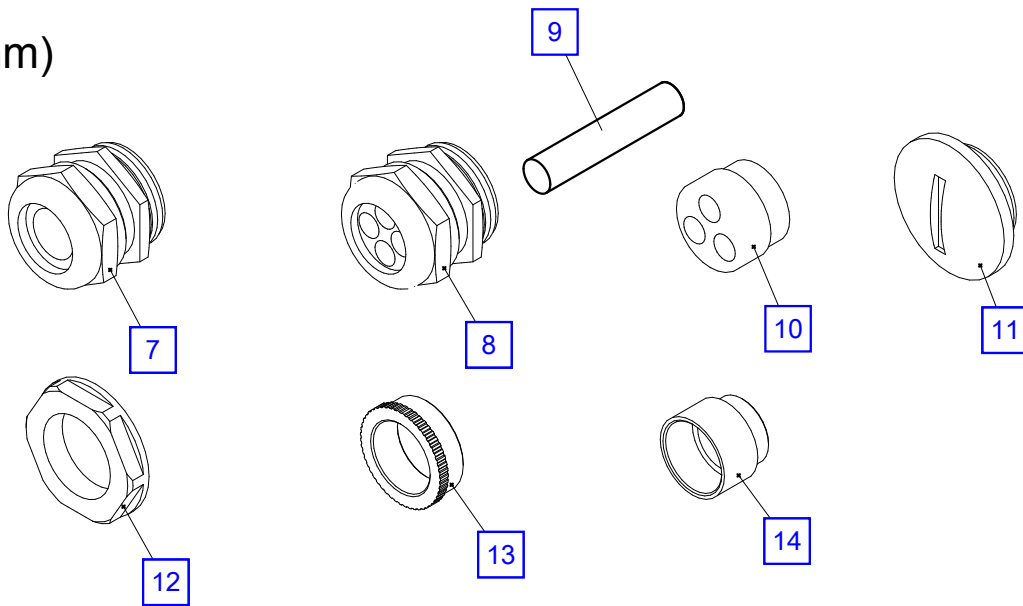


No.	Spare part	Qty.	Description	Dimension
1	EEA 195		End terminal	
2	EEA 234		Line-up terminal	SAKD 2.5/035
3	EEA 516		Plate	
4	EEA 594		Cross connection	10-fach
5	EE 102		Relay	24V 7A
5	EE 105		Relay	12V 7A
6	EEA 219		Bearing rail Metered good	
7	EEA 241		Cable duct Metered good	h=60 mm b=25 mm
8	EEA3075		Stop plate	WAP/WDK 2.5
9	EEA3074		Line-up terminal	WDK 2.5
9	EEA4071		Line-up terminal	WDK 2.5 LD
10	EEA3073		Cross connection	WQV 2.5/10
11	EEA3076		Cross connection	WQV 2,5/4
12	EEA3972		Stop plate	12V
13	EEA4971		Relay	12V 6A
13	EEA4972		Relay	24V 6A
13	EEA4255		Relay	12V 6A
13	EEA3971		Relay	24V 6A
14	EEA5060	1	Time lag relay	8...32Vdc
15	EE 101		Relay	24V 12A
15	EE 104		Relay	12V 12A
15	EE 127		Relay (2-de poles)	24V 8A
15	EE 128		Relay (2-de poles)	12V 8A
15	EEA1456		Relay Workman basket	24V 4A
15	EEA1812		Relay	24V 16A
15	EEA2419		Relay	12V 16A
15	EEA4088		Relay - gold kontakt	24V 6A
15	EEA4089		Relay - gold kontakt	12V 6A
16	EE 020	1	Relay	12V 20A
16	EE 024	1	Relay	24V 10A
17	EEA4552	1	Cross connection (2-sections)	ZDK 27.6 mm
18	EEA4553	1	Cross connection (3-sections)	ZDK 27.6 mm
19	EEA4554	1	Cross connection (4-sections)	ZDK 27.6 mm
20	EEA4555	1	Cross connection (5-sections)	ZDK 27.6 mm
21	EEA4556	1	Cross connection (6-sections)	ZDK 27.6 mm
22	EEA4557	1	Cross connection (10-sections)	ZDK 27.6 mm
23	EEA4550	1	Line-up terminal	ZDK max. 2.5 ²
24	EEA4551	1	Stop plate	ZDK 27.6 mm
25	EEA4559	1	Line-up terminal LED withLED	ZDK max. 2.5 ²
26	EEA4558	1	End terminal	ZDK
27	EEA4547	1	End terminal	ZDK
28	EEA4543	1	Line-up terminal	ZDK max. 2.5 ²
29	EEA4546	1	Connection plate	ZDK
30	EEA4548	1	Cross connection (2-sections)	ZDK 23 mm

PG



(mm)



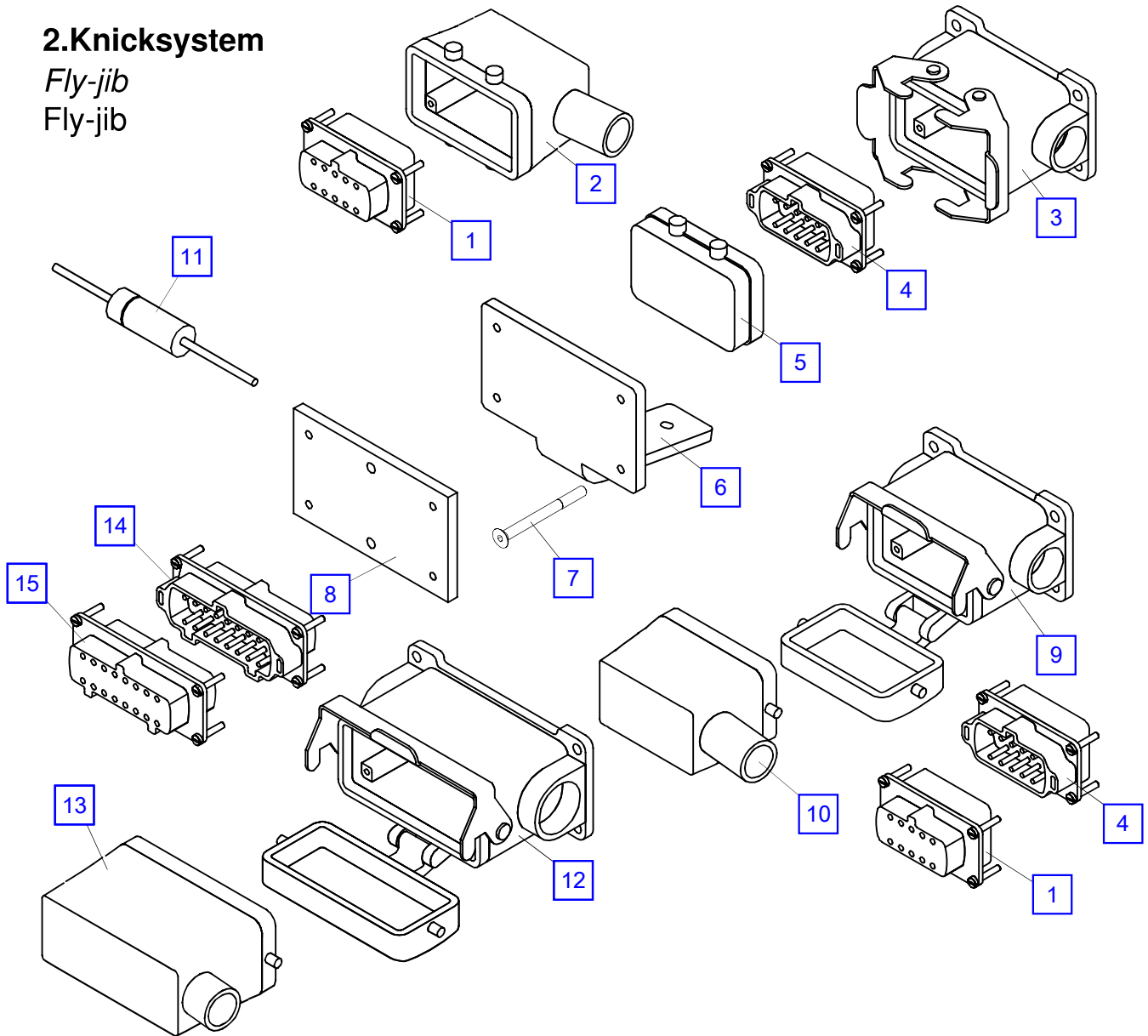
No.	Spare part	Qty.	Description	Dimension
1	EEA 508	1	Fitting	PG 9
1	EEA 509	1	Fitting	PG 11
1	EEA 510	1	Fitting	PG 13.5
1	EEA 511	1	Pressure connection	
1	EEA 512	1	Pressure connection	PG 21
2	EEA 513	1	Pressure connection	PG 31 4x6
2	EEA1754	1	Fitting	PG 13.5 4x4 mm
3	EEA 279	1	Blind plug	PG 13,5
3	EEA 280	1	Blind plug	PG 16
3	EEA 281	1	Blind plug	PG 21
4	EEA1473	1	Counter nut	
4	EEA1474	1	Counter nut	
4	EEA1475	1	Counter nut	
5	EEA 262	1	Reduction	PG 21/16
5	EEA 285	1	Reduction	PG 13.5/11
6	EEA 291	1	Extension	PG 11-13.5
6	EEA 293	1	Extension	PG 16-21
6	EEA 294	1	Extension	PG 21-29
7	EEA3703	1	Fitting	M 25x1.5 (1x7-17 mm)
7	EEA3704	1	Fitting	M 32x1.5 (1x13-21 mm)
7	EEA3705	1	Fitting	M 20x1.5 (1x4-13 mm)
8	EEA3706	1	Fitting	M 32x1.5 (4x5-7 mm)
8	EEA3707	1	Fitting	M 32x1.5 (2x8-10 mm)
8	EEA3708	1	Fitting	M 25x1.5 (4x4-6 mm)
8	EEA3709	1	Fitting	M 25x1.5 (3x5-7 mm)
9	EEA11601	1	Pin	D=5x25 mm
9	EEA11602	1	Pin	D=6x25 mm
9	EEA11603	1	Pin	D=7x25 mm
9	EEA11604	1	Pin	D=8x20 mm
9	EEA11605	1	Pin	D=9x20 mm
10	EEA3710	1	Cartridge	M 32x1.5 (3x6-8 mm)
11	EEA3711	1	Blind plug	M 25x1.5
11	EEA3712	1	Blind plug	M 32x1.5
11	EEA3727	1	Blind plug	M 20x1.5
12	EEA3713	1	Counter nut	M 25x1.5
12	EEA3714	1	Counter nut	M 20x1.5
12	EEA3725	1	Counter nut	M 32x1.5
13	EEA3715	1	Reduction	M 32x1.5 - M 25x1.5
13	EEA3726	1	Reduction	M 25x1.5 - M 20x1.5
14	EEA3716	1	Extension	M 25x1.5 - M 32x1.5
14	EEA3728	1	Extension	M 20x1.5 - M 25x1.5

Plug - auxiliary equipment

2.Knicksystem

Fly-jib

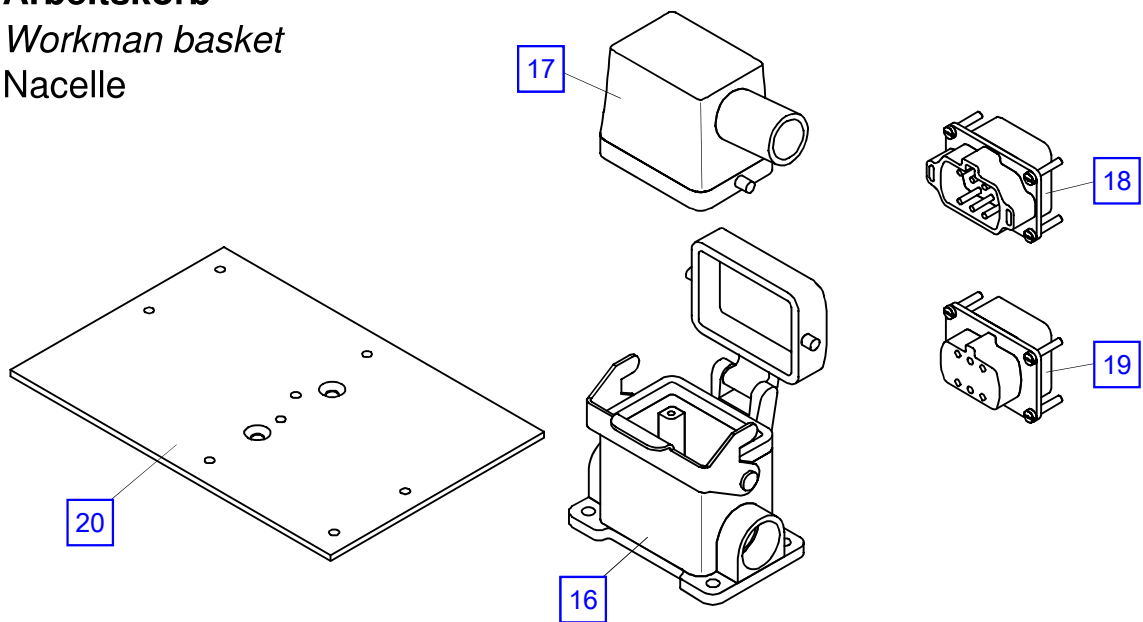
Fly-jib



Arbeitskorb

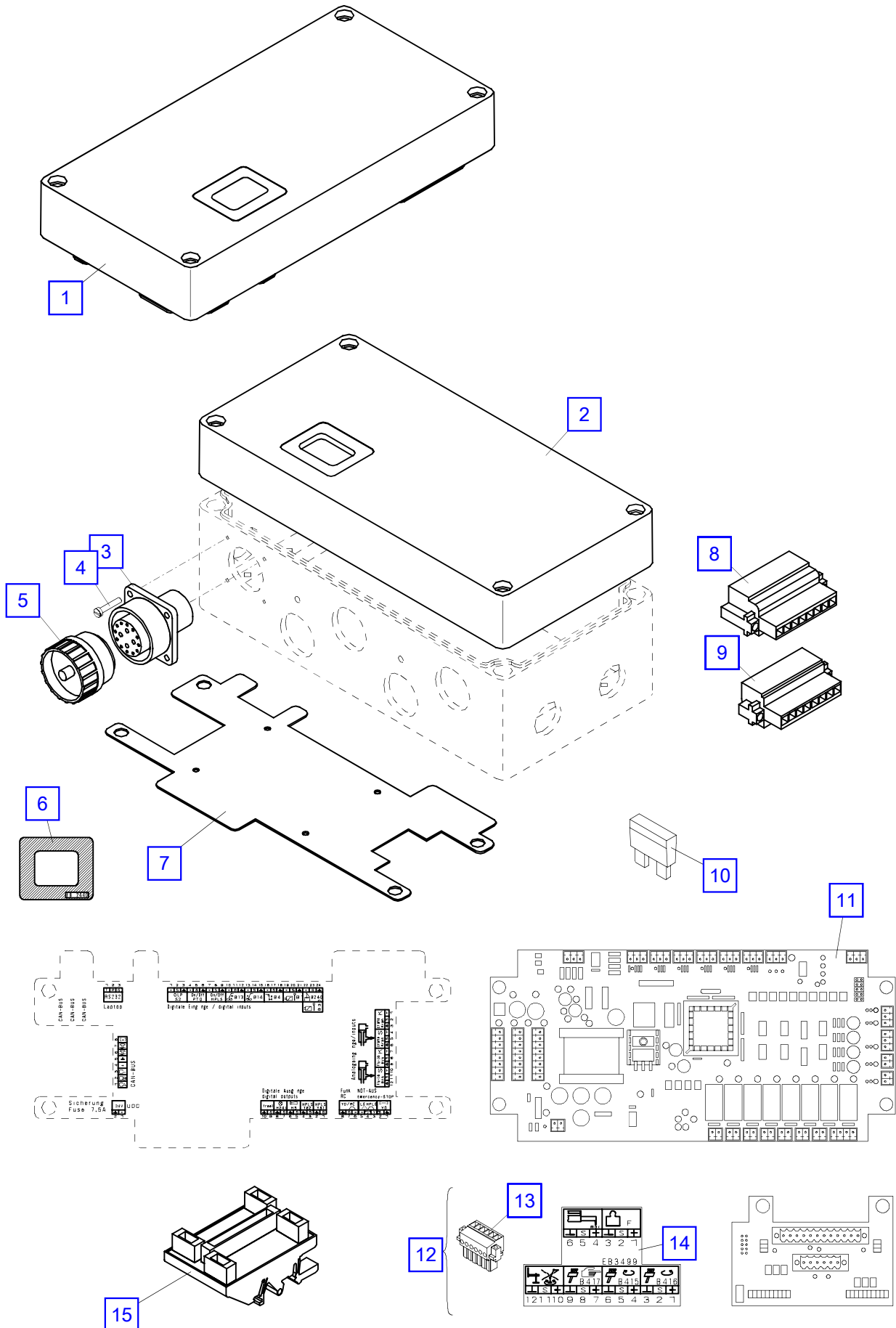
Workman basket

Nacelle



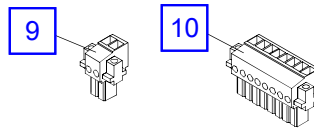
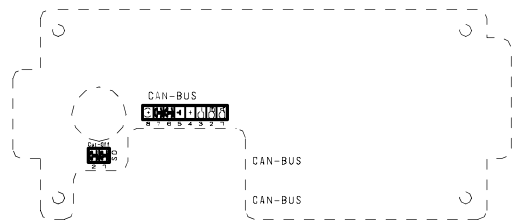
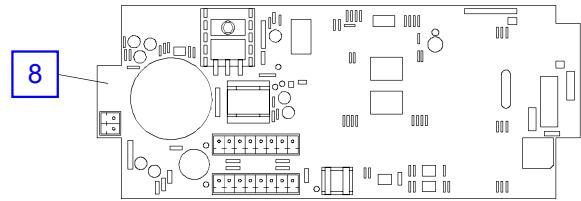
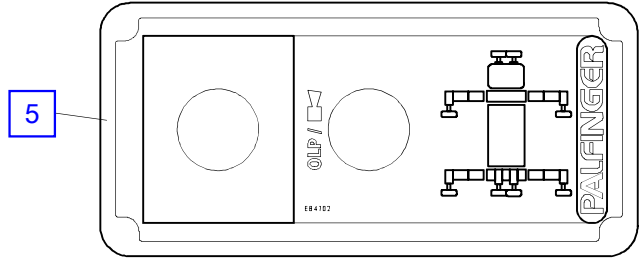
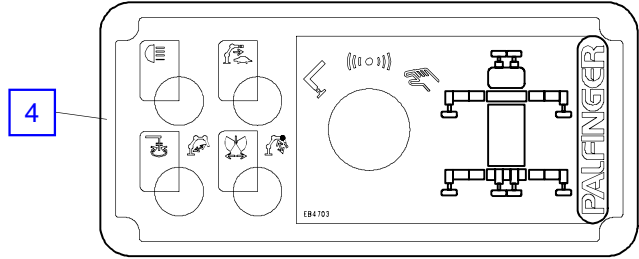
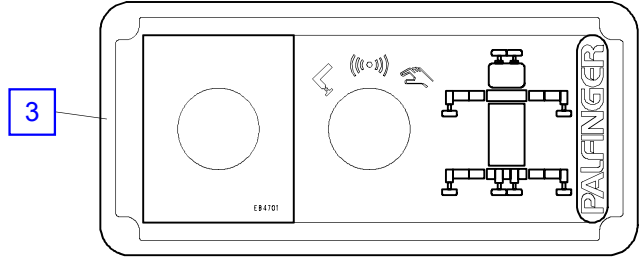
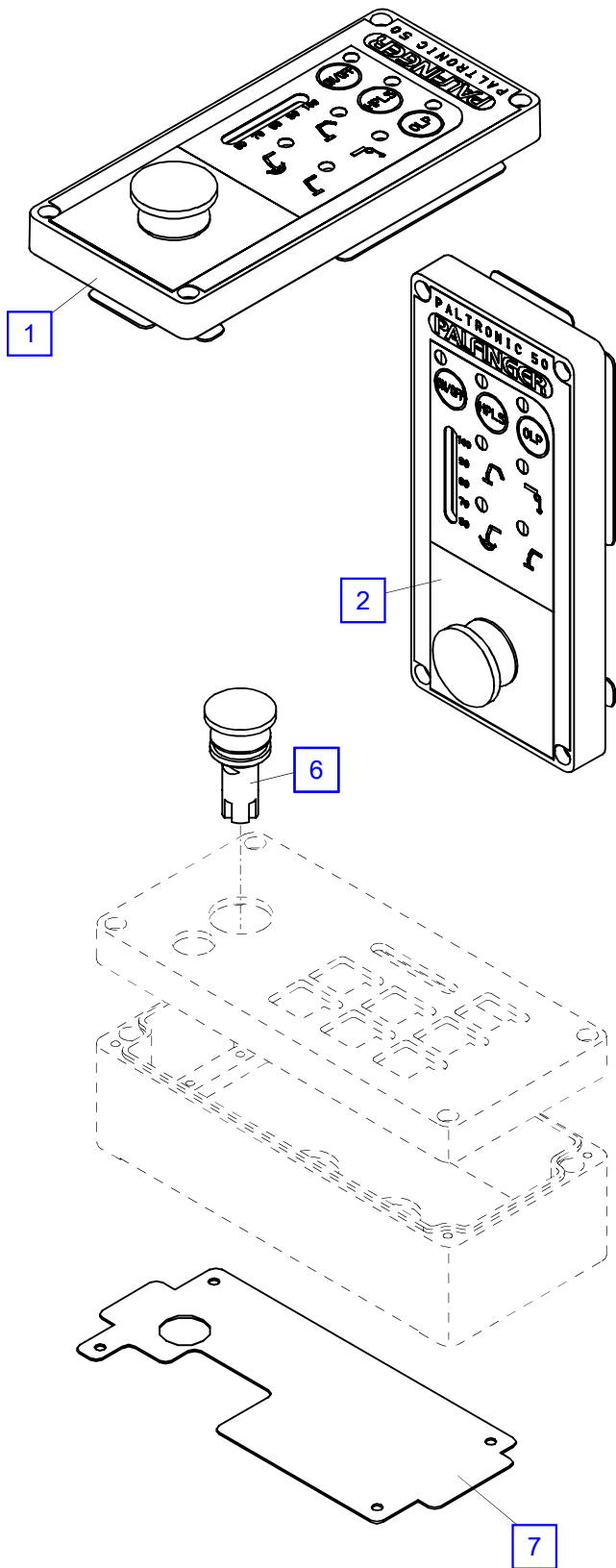
No.	Spare part	Qty.	Description	Dimension
1	EEA1666	1	Bush insert (10-pole)	
2	EEA1663	1	Plug case	
3	EEA1664	1	Base case	
4	EEA1665	1	Plug insert (10-pole)	
5	EEA1667	1	Protecting cap	
6	HA6721	1	Bearer	
7	ES 954	4	Screw	M 5x55 DIN 7991
8	HTR3506	1	Bracket plate	
9	EEA3898	1	Base case (10-pole)	M 20x1.5
10	EEA4111	1	Plug case (10-pole)	M 20x1.5
11	EEA2538	1	Resistance	2200 OHM
11	EEA3069	1	Resistance PJ (Version 2.6)	12,7 kΩ / 24V
11	EEA3070	1	Resistance PJ (Version 2.6)	6,2 kΩ / 12V
12	EEA5024	1	Base case (16+40-pole)	M 25x1.5
12	EEA5796	1	Base case (24-pole)	M 32x1.5
13	EEA5025	1	Plug case (16+40-pole)	M 25x1.5
13	EEA5797	1	Plug case (24-pole)	M 32x1.5
14	EEA5026	1	Plug insert (16-pole)	
14	EEA5798	1	Plug insert (24-pole)	
15	EEA5027	1	Bush insert (16-pole)	
15	EEA5799	1	Bush insert (24-pole)	
16	EEA3815	1	Plug case	
16	EEA4952	1	Base case (6-pole)	M 20x1.5
17	EEA3816	1	Plug case	
17	EEA4953	1	Plug case (6-pole)	M 25x1.5
18	EEA3817	1	Plug insert (6-pole)	
19	EEA3818	1	Bush insert (6-pole)	
20	HT6038	1	Bracket plate	

Basic element



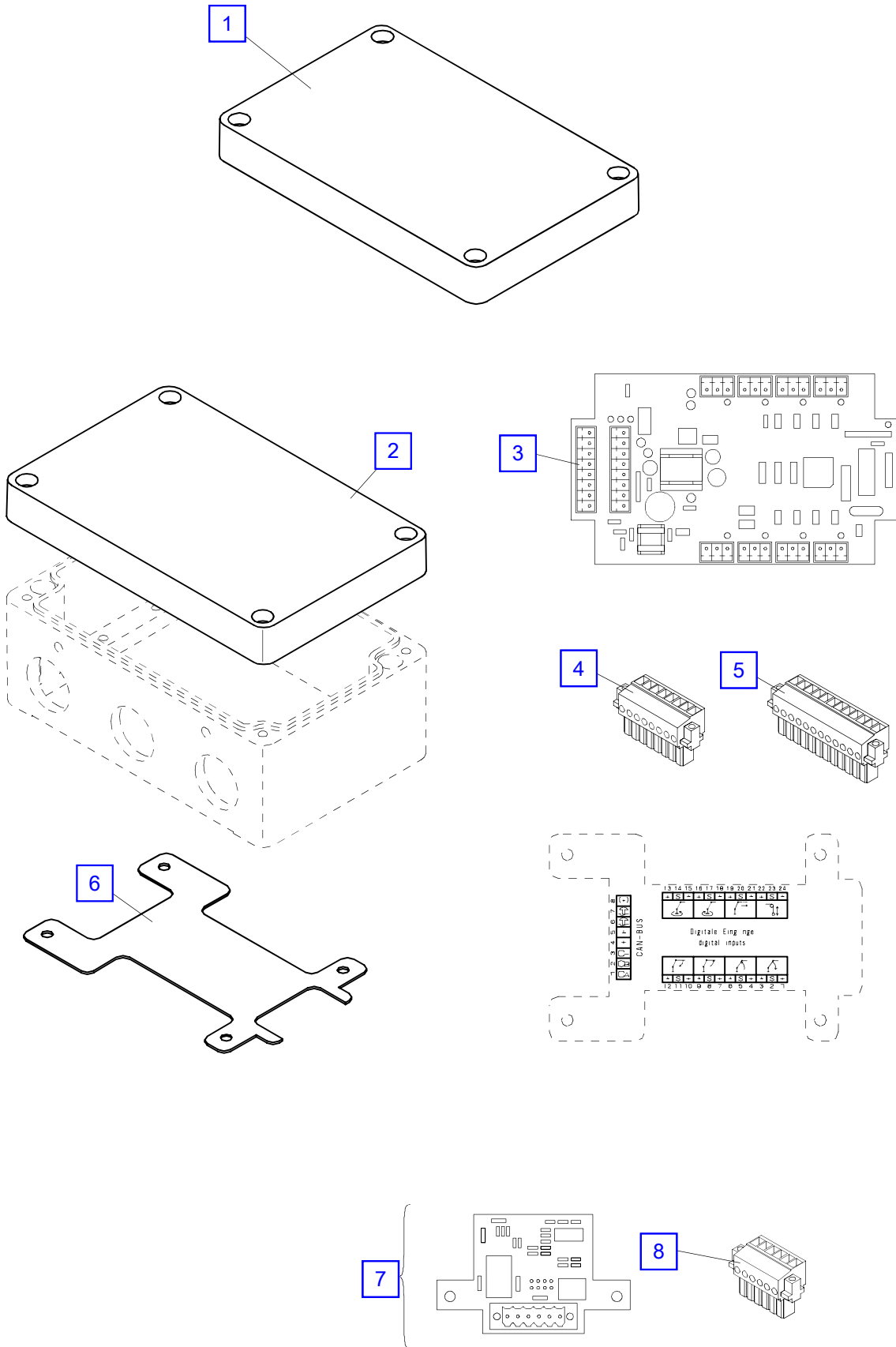
No.	Spare part	Qty.	Description	Dimension
1	EEA4054	1	Basic element	Version 3.0
1	EEA4575	1	Basic element cplt.	Version 4.0
2	EEA2702	1	Cover	
3	EEA 599	1	Plug box 14+PE	C16-3
	EEA5498	1	Contact	C16-3 0.5-1.5 mm ²
	EEA5500	1	Contact	C16-3 0.75-1 mm ²
	EEA 602	1	Contact	C16-3
	EEA 605	1	Contact	C16-3
4	ES 412	4	Screw	M 3x16 DIN 84
5	EK 370	1	Protecting cap 14+PE	C16-3
6	EB2440	1	Decal	
7	HT1009	1	Cover plate	
8	EEA4591	1	Female strip (2-sections)	Typ BLZF
8	EEA4592	1	Female strip (3-sections)	Typ BLZF
8	EEA4597	1	Female strip (24-sections)	Typ BLZF
8	EEA5034	1	Female strip (4-sections)	Typ BLZF
8	EEA4948	1	Female strip (5-sections)	Typ BLZF
8	EEA4593	1	Female strip (6-sections)	Typ BLZF
8	EEA4594	1	Female strip (8-sections)	Typ BLZF
8	EEA4947	1	Female strip (9-sections)	Typ BLZF
8	EEA4595	1	Female strip (10-sections)	Typ BLZF
8	EEA4596	1	Female strip (12-sections)	Typ BLZF
8	EEA5705	1	Wire plug (15-sections)	Typ BLZF
9	EEA2603	1	Wire plug (2-sections)	Typ BL
9	EEA2698	1	Wire plug (3-sections)	Typ BL
9	EEA1720	1	Wire plug (4-sections)	Typ BL
9	EEA3087	1	Wire plug (6-sections)	Typ BL
9	EEA2604	1	Wire plug (8-sections)	Typ BL
9	EEA2605	1	Wire plug (10-sections)	Typ BL
9	EEA2606	1	Wire plug (12-sections)	Typ BL
9	EEA2607	1	Wire plug (24-sections)	Typ BL
10	EEA4577	1	Fuse	5 A
11	EEA4058	1	Attachment board	Version 3.0
11	EEA4576	1	Attachment board	Version 4.0
12	EEA2937	1	Attachment board cplt.	12/24V
13	EEA3087	1	Wire plug (6-sections)	Typ BL
14	EB3499	1	Symbol sign	
15	EEA4658	1	Indicator module	

Control unit, cpl.

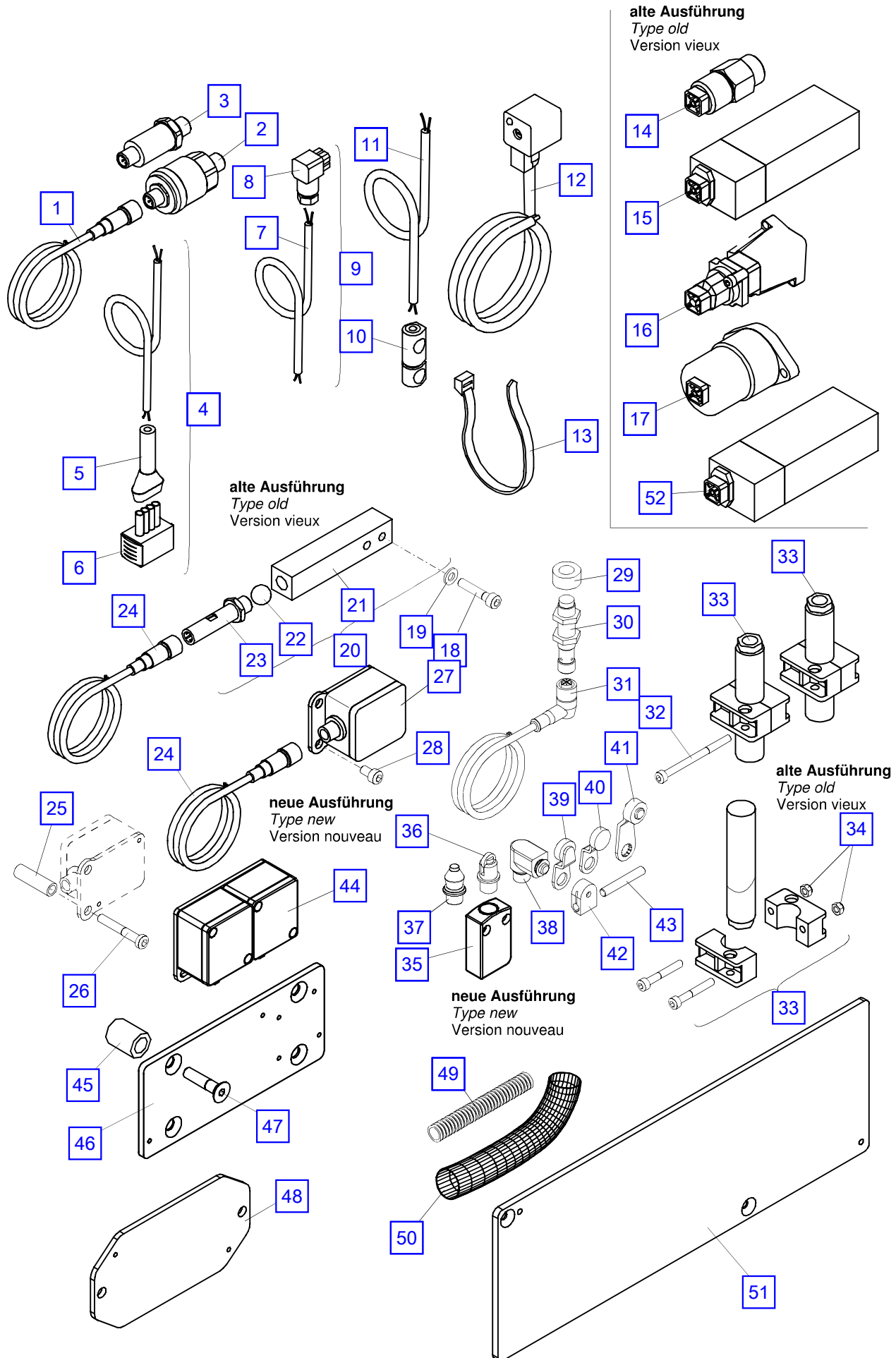


No.	Spare part	Qty.	Description	Dimension
1	EEA1717	1	Control unit, cpl.	
2	EEA2740	1	Control unit, cpl.	
3	EEA4806	1	Control unit, cpl.	
4	EEA4807	1	Control unit, cpl.	
5	EEA4808	1	Control unit, cpl.	
6	EEA2234	1	Emergency cut-off button	22 mm
6	EEA6077	1	Emergency cut-off button	
7	HT1042	1	Cover plate	
8	EEA1931	1	Attachment board	
9	EEA2603		Wire plug (2-sections)	Typ BL
10	EEA2604		Wire plug (8-sections)	Typ BL

Valve casing, cpl.



No.	Spare part	Qty.	Description	Dimension
1	EEA1716	1	Valve casing, cpl.	
2	EEA2704	1	Cover	
3	EEA1930B	1	Drawer electronics, cpl.	PAL 50
	EEA12797	1	Spool position board	
	EEA12797B	1	Spool position board	
4	EEA2604		Wire plug (8-sections)	Typ BL
5	EEA2606		Wire plug (12-sections)	Typ BL
6	HT16686	1	Cover plate	
7	EEA3019	1	Attachment board cplt.	AOS 24V
7	EEA3429	1	Attachment board cplt.	AOS 12V
8	EEA3087	1	Wire plug (6-sections)	Typ BL

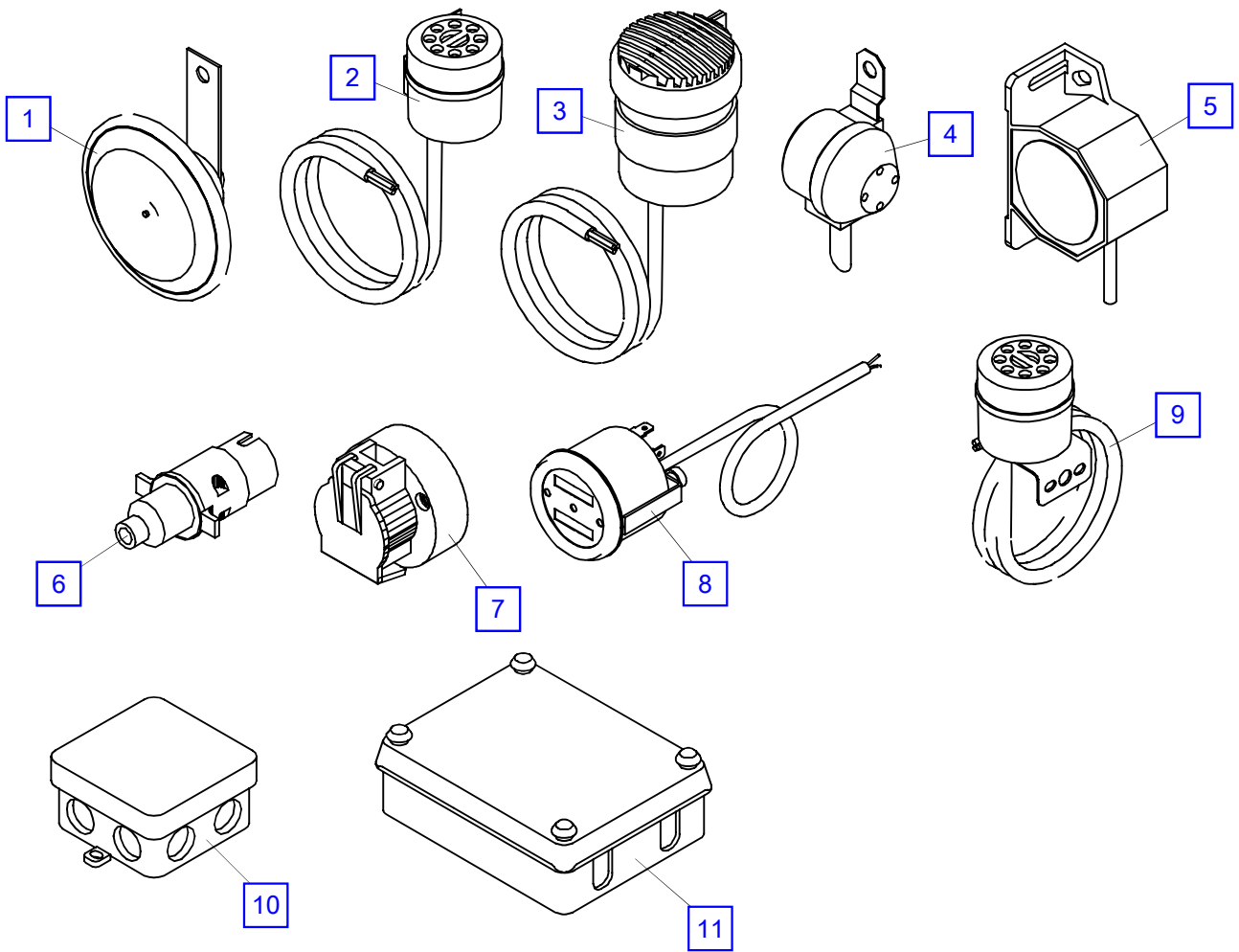


No.	Spare part	Qty.	Description	Dimension
1	EEA2574	2	Plug with cable (3-pole)	M 12 - 8 m
1	EEA5075	2	Plug with cable (3-pole)	M 12 - 3 m
2	EEA2559	2	Pressure transducer	24 V 400 bar
2	EEA2812	2	Pressure transducer	12V 400bar
3	EEA4164	2	Pressure transducer	12V 600 bar
3	EEA4165	2	Pressure transducer	24V 600 bar
4	EEA2595	1	Plug, cpl. with cable	4x0.34 l=1500
4	EEA2889	1	Plug with cable black (AMP) with cable	l=2500
4	EEA3037	1	Plug with cable grey (AMP) with cable	l=2150
5	EZ1731	1	Rubber grummet	
6	EEA2609	1	Plug, black	AMP
7	EEA1755		Cable (metre goods) Metered good	4x0.34 mm ²
8	EEA1718	1	Wire plug	
9	EEA2696	1	Plug with cable	1.5 m
10	EEA 031	1	Fuse	8 A
11	EEA 058		Cable (metre goods)	3x0.5 mm ²
11	EEA 134		Cable for drag chain (metro goods)	12x1 mm ²
11	EEA 162		Cable (metre goods)	3x1.5 mm ²
11	EEA 169		Cable (metre goods)	2x1 mm ²
11	EEA 170		Cable (metre goods)	2x1.5 mm ²
11	EEA 192		Cable (metre goods)	7x1.5 mm ²
11	EEA2141		Cable for drag chain (metro goods)	5x1 mm ²
11	EEA2478		Cable (metre goods)	2x2.5 mm ²
11	EEA5752		Cable for drag chain (metro goods)	22x1 mm ²
12	EEA 772	1	Plug with cable LED	1,5 m
12	EEA 773	1	Plug with cable LED	3 m
13	EK 155	1	Cable tie	l=102x2.5
13	EK 165	1	Cable tie	l=215x4.8
14	EV3612	1	Spool position control (APITECH)	
15	EV3613	1	Spool position control (DANFOSS)	
16	EV3614	1	Spool position control (RS 210)	
17	EV3615	1	Spool position control (VOAC)	
18	ES 087	2	Screw	M 6x30 ISO4762- 8.8
18	ES 855	2	Screw	M 6x25 ISO4762- 8.8
19	EK 190	2	Washer	d=6.4 ISO7089
20	HXE 953	1	Pendulum, cpl.	
21	HT3612	1	Housing	
22	EK 610	1	Ball	
23	EE 110	1	Inductive switch	
24	EEA1150	1	Plug with cable (3-pole)	M 12 - 12 m
25	HBS3084	2	Spacer (PJ170)	l=33 mm
26	ES 105	2	Screw	M 6x40 ISO4762 10.9
27	EEA4018	1	Pendulum, cpl.	
28	ES 414	2	Screw	M 6x10 ISO4762- 8.8
29	BH242-0803	1	Bushing	M 12x1
30	EEA3104	1	Sensor Opener	M 12x1 - M 12x1
31	EEA3105	1	Angle plug with cable (4-pole)	M 12 - 2 m

Accessories (1)

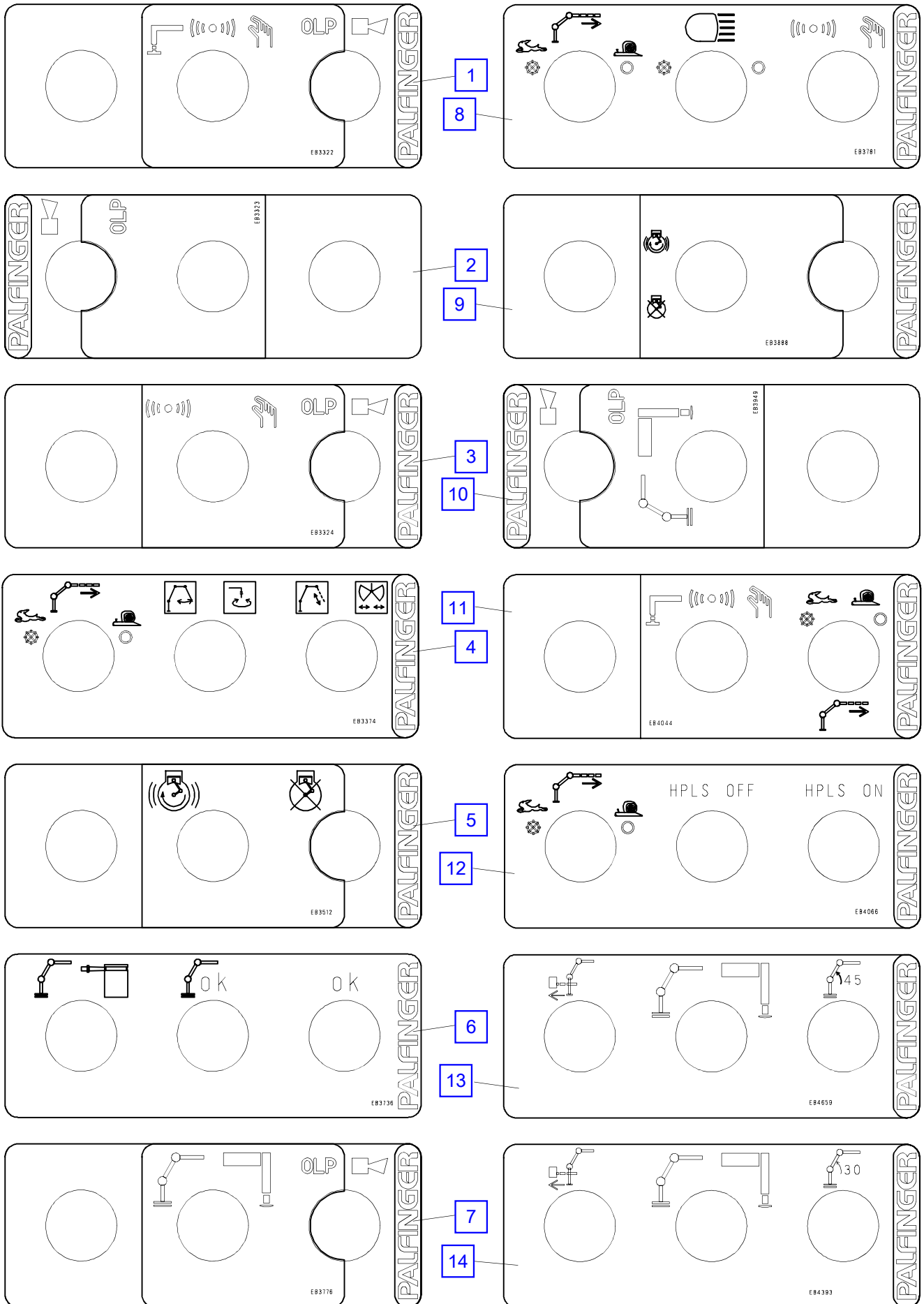
No.	Spare part	Qty.	Description	Dimension
32	ES 810	2	Screw	M 5x65 DIN 912
33	EEA1252	2	Inductive switch	
34	EM 247	4	Nut	M 5 DIN 562 VZ
35	EEA3942	1	Limit switch	
	EEA3944		Connection element with cable	2 m
	EEA3945		Connection element with cable	5 m
	EEA3949		Connection element with cable	10 m
36	EEA3943	1	Roller tappet	
37	EEA5454	1	Roller tappet	
38	EEA3986A	1	Drive	
39	EEA3987	1	Roller lever	l=42.5 mm, b=5 mm
40	EEA4272	1	Roller lever	
41	EEA9882	1	Roller lever	l=55 mm
42	EEA4579	1	Bearer	
43	HI7270	1	Pin	
44	EEA5030	1	Pendulum, cpl.	
45	HBS1533	2	Bushing	D20.0xd12.5xL=25 mm
46	HT6592	1	Plate	
47	ES 408	2	Screw	M 8x35 ISO14581- 8.8
48	HTR4023	1	Bracket plate	
49	EZ1266		Protection hose (metre goods)	D 12.2/15.7 mm
49	EZ1293		Protection hose (metre goods)	D 9.8/13 mm
50	EH 822	1	Protection hose	NW 50x500
50	EH 878	1	Protection hose	NW 102x1000
51	HT11022	1	Plate	
52	EV7149	1	Spool position control	

this page is intentionally left blank



No.	Spare part	Qty.	Description	Dimension
1	EEA 036	1	Horn	12 V
1	EEA 037	1	Horn	24 V
2	EEA 080	1	Horn (Alternating tone alert signal)	12/24 V
3	EEA3674	1	Horn for EN-12999	12/24 VDC
4	EEA1998	1	Buzzer	12 V
4	EEA1999	1	Horn	24 V
5	EEA2753	1	Horn for EN-12999	12 m (CE)
6	EEA 028	1	Plug (3-de poles)	
7	EEA 029	1	Plug box (3-de poles)	
8	EEA3427	1	Hour meter	
9	EEA6193	1	Horn (Alternating tone alert signal)	12/24 VDC (H5)
10	EEA 030	1	Branch box	
11	EEA 378	1	Clamp housing	

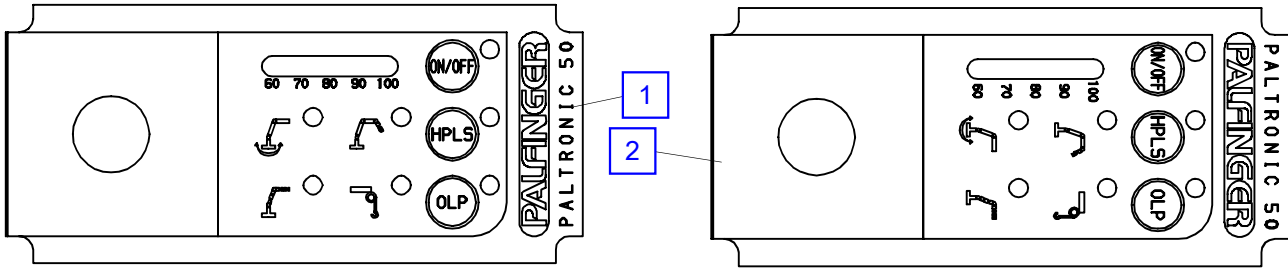
Decals (1)



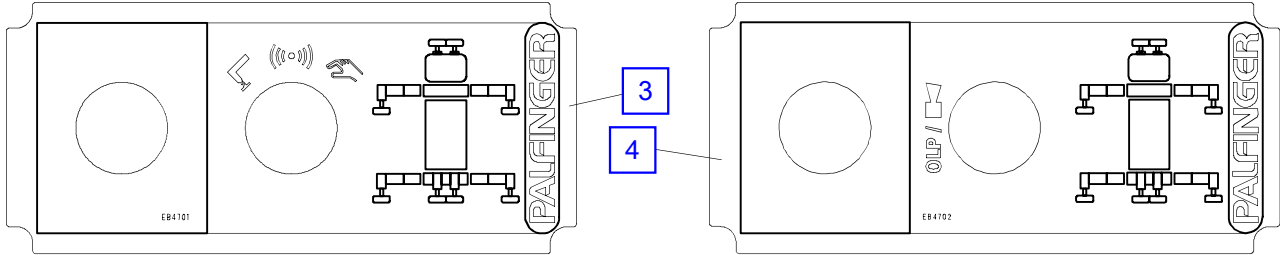
No.	Spare part	Qty.	Description	Dimension
1	EB3322	1	Symbol sign	
2	EB3323	1	Symbol sign	
3	EB3324	1	Symbol sign	
4	EB3374	1	Symbol sign	
5	EB3512	1	Symbol sign	
6	EB3736	1	Symbol sign	
7	EB3776	1	Symbol sign	
8	EB3781	1	Symbol sign	
9	EB3888	1	Symbol sign	
10	EB3949	1	Symbol sign	
11	EB4044	1	Symbol sign	
12	EB4066	1	Symbol sign	
13	EB4659	1	Symbol sign	
14	EB4393	1	Symbol sign	

No.	Spare part	Qty.	Description	Dimension
1	EB3241	1	Symbol sign	
2	EB4479	1	Symbol sign	
3	EB4480	1	Symbol sign	
4	EB3499	1	Symbol sign	
5	EB 450	1	Symbol sign	10A
6	EB 382	1	Decal	12V
7	EB 383	1	Decal	24V
8	EB3902	1	Symbol sign	
9	EB3903	1	Symbol sign	
10	EB4710	1	Symbol sign	

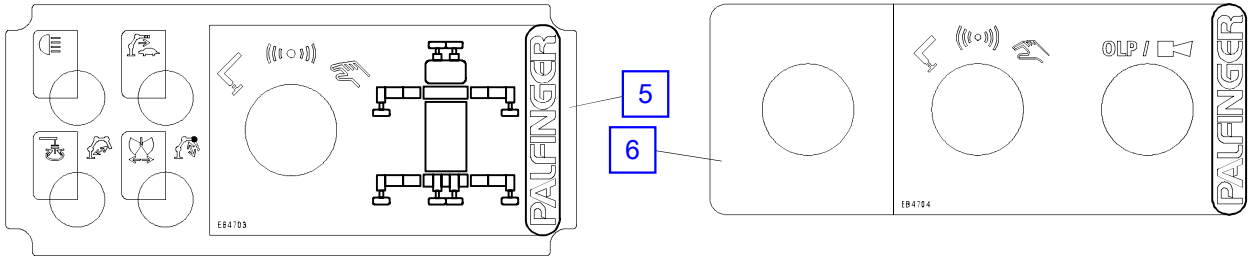
Decals (3)



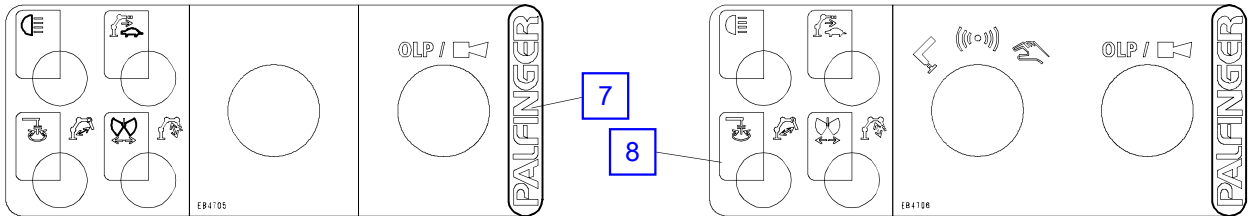
1
2



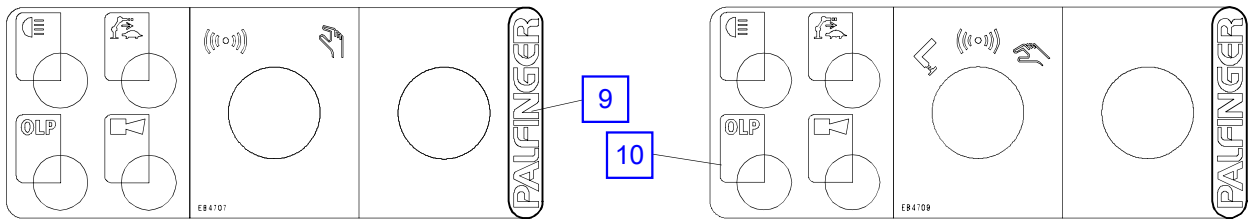
3
4



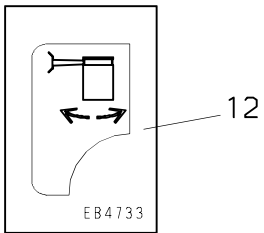
5
6



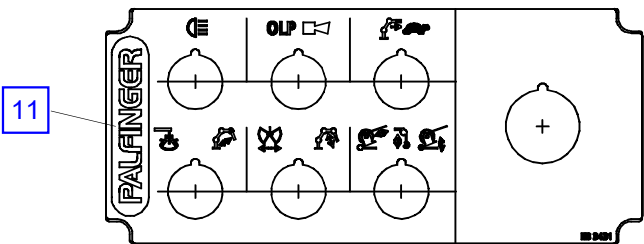
7
8



9
10

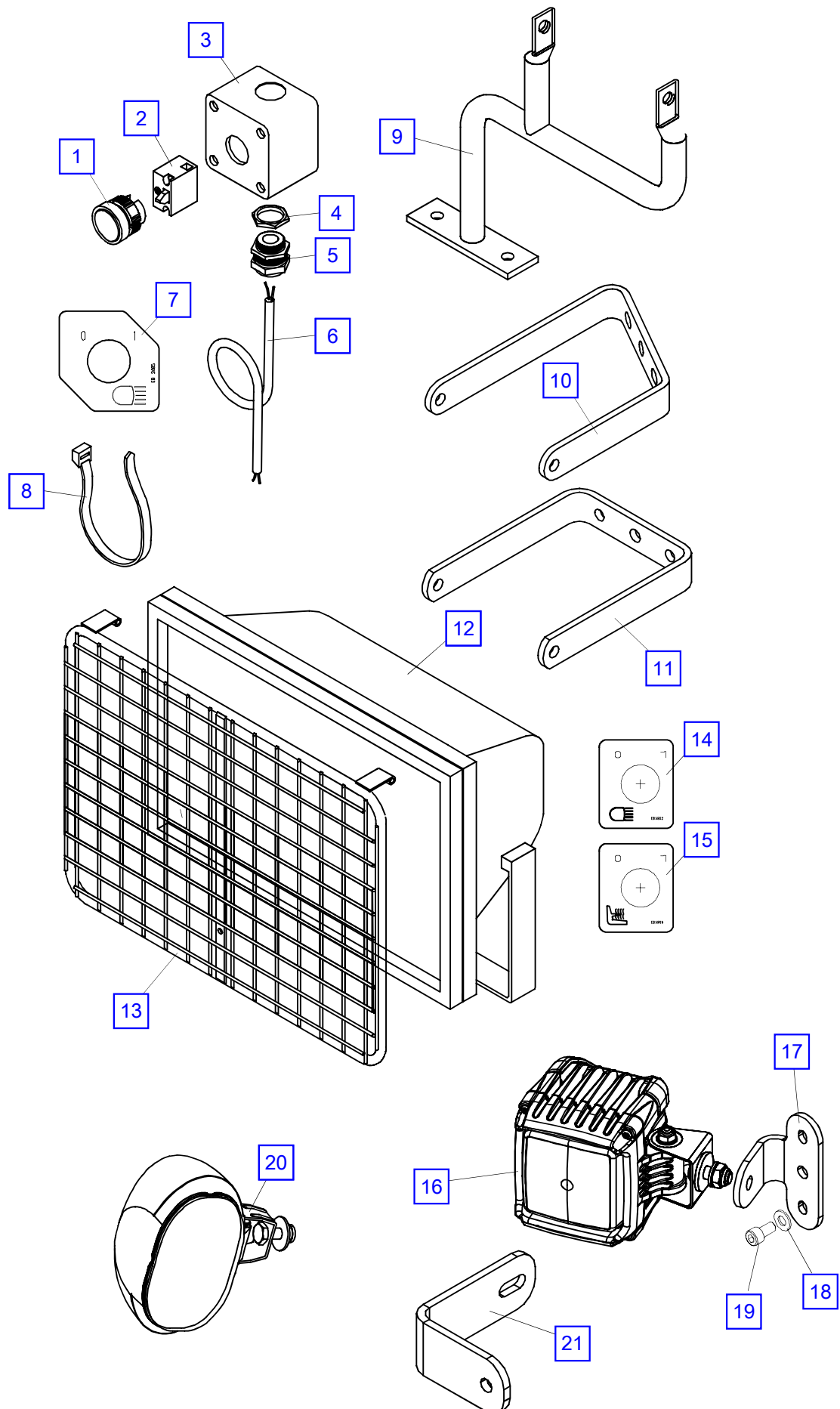


12



11

No.	Spare part	Qty.	Description	Dimension
1	EB2468	1	Symbol sign	
2	EB3221	1	Symbol sign	
3	EB4701	1	Symbol sign	
4	EB4702	1	Symbol sign	
5	EB4703	1	Symbol sign	
6	EB4704	1	Symbol sign	
7	EB4705	1	Symbol sign	
8	EB4706	1	Symbol sign	
9	EB4707	1	Symbol sign	
10	EB4709	1	Symbol sign	
11	EB3431	1	Symbol sign	
12	EB4733	1	Symbol sign	



No.	Spare part	Qty.	Description	Dimension
1	EEA 575	1	Button	
2	EEA 500	1	Sub switch	
3	EEA 499	1	Housing	
4	EEA 298	1	Nut	PG 13.5
5	EEA 510	1	Fitting	PG 13.5
6	EEA 169		Cable (metre goods)	2x1 mm ²
6	EEA 170		Cable (metre goods)	2x1.5 mm ²
7	EB2485	1	Symbol sign	
8	EK 084		Mounting band	l=360x7.5
8	EK 165		Cable tie	l=215x4.8
9	HXE2248	1	Bearer	
10	HA6884	1	Bearer	
11	HA7050	1	Bearer	L0441.3xB0025xS005
12	EEA 242	1	Headlight	12/24 VDC
	EEA 243	1	Spare lamp/light	24V 100W
	EEA3507	1	Spare lamp/light	12V 50W
12	EEA 243	1	Spare lamp/light	24V 100W
12	EEA3507	1	Spare lamp/light	12V 50W
13	EZ 934	1	Screen	
14	EB3902	1	Symbol sign	
15	EB3903	1	Symbol sign	
16	EEA5407	1	Headlight	Power Beam 3000
	EEA14722	1	Plug (2-pole)	
	EEA5044	1	Plug, cpl.	
17	HA11802	1	Bearer	L0109xB0100xS005
18	EK 003	2	Washer	D 8.4 ISO7089
19	ES 264	2	Screw	M 8x16 ISO4762- 8.8
20	EEA11204	1	Headlight24	24 VDC
	EEA11504	1	Spare lamp/light	H3 24V 70W
	EEA14722	1	Plug (2-pole)	
	EEA5044	1	Plug, cpl.	
20	EEA11088	1	Headlight12	12 VDC
	EEA11503	1	Spare lamp/light	H3 12V 55W
	EEA14722	1	Plug (2-pole)	
	EEA5044	1	Plug, cpl.	
21	HA11466	1	Bearer	

Spare Parts Catalogue

PK 6500

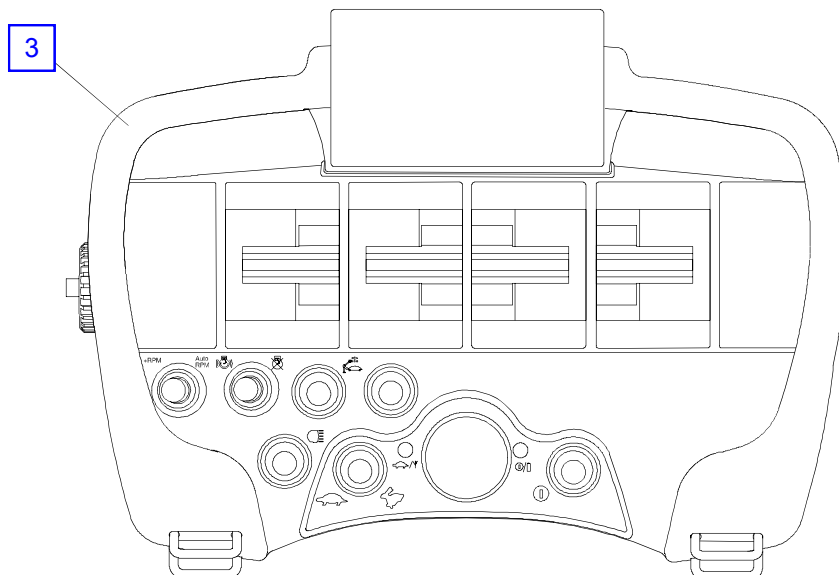
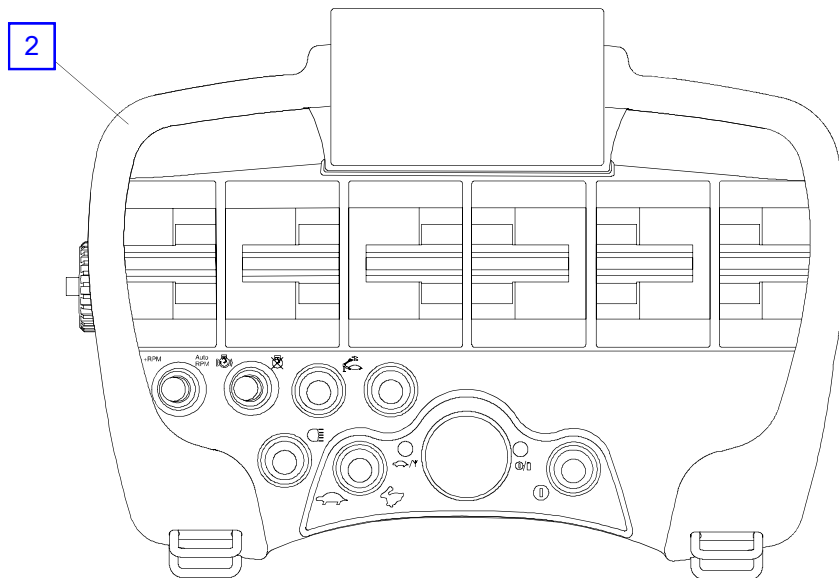
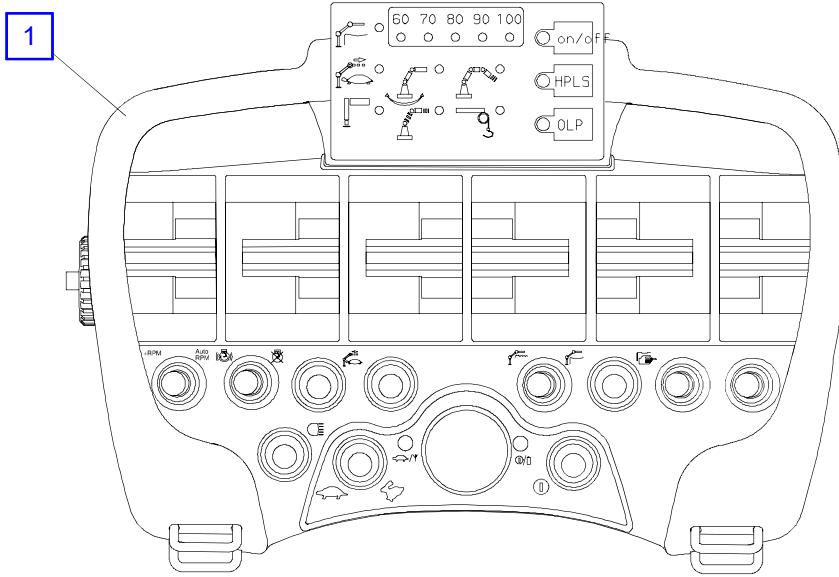
(AB_Classic_FFST-P2)

Edition 01/2001

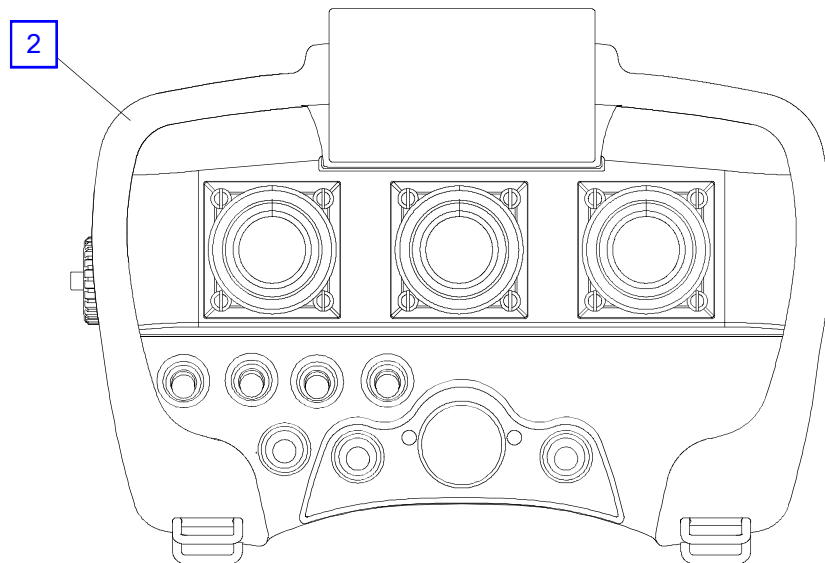
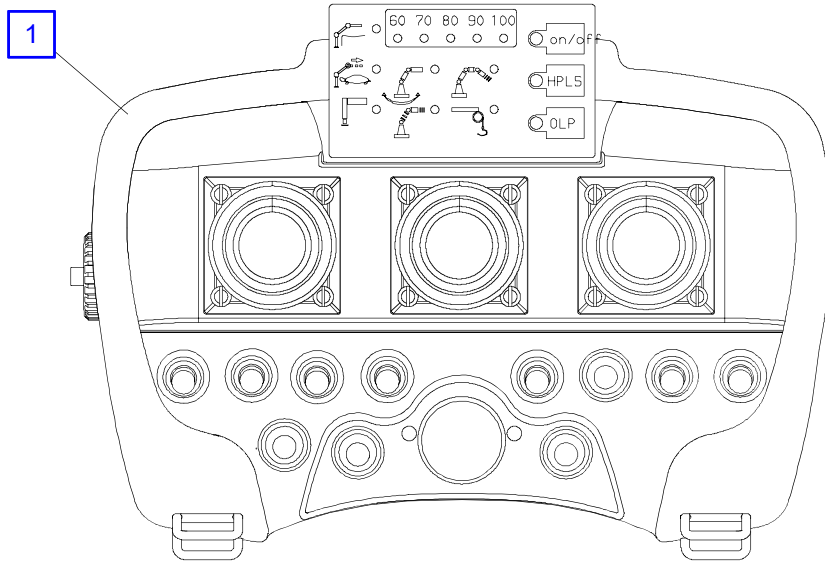
EN

PALFINGER AG
Lamprechtshausener Bundesstraße 8
5101 Bergheim / Austria
www.palfinger.com

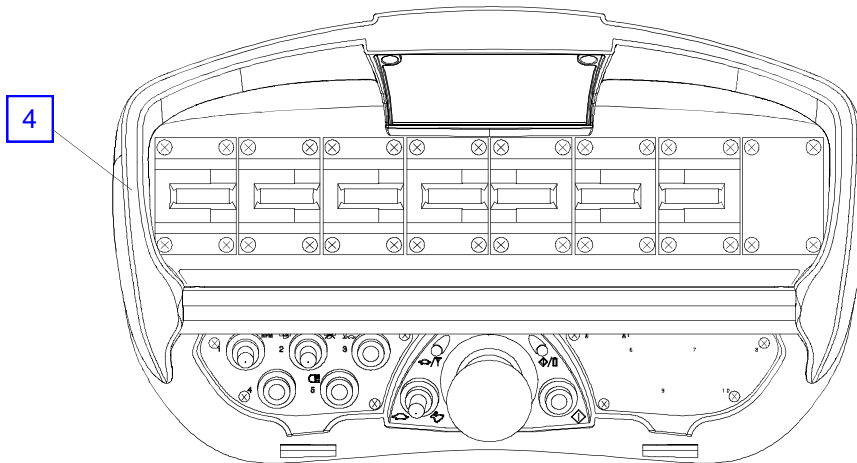
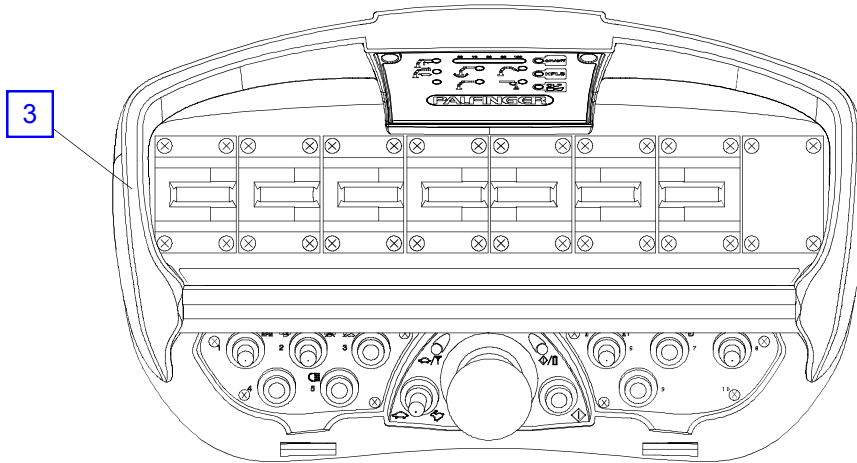
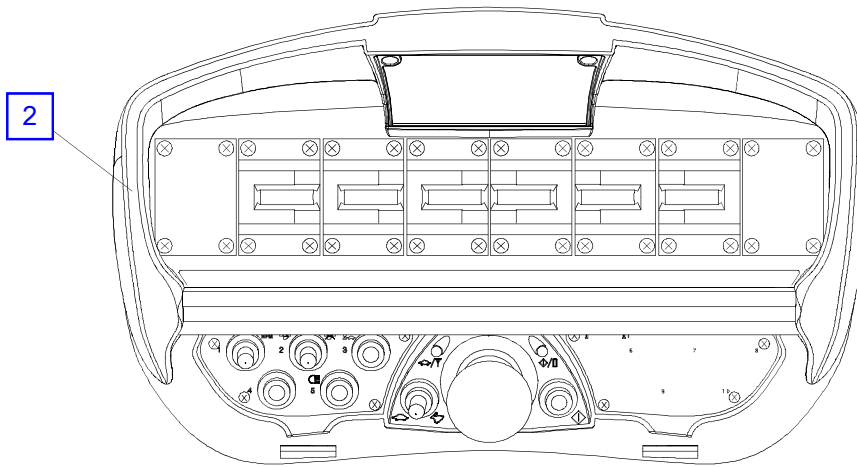
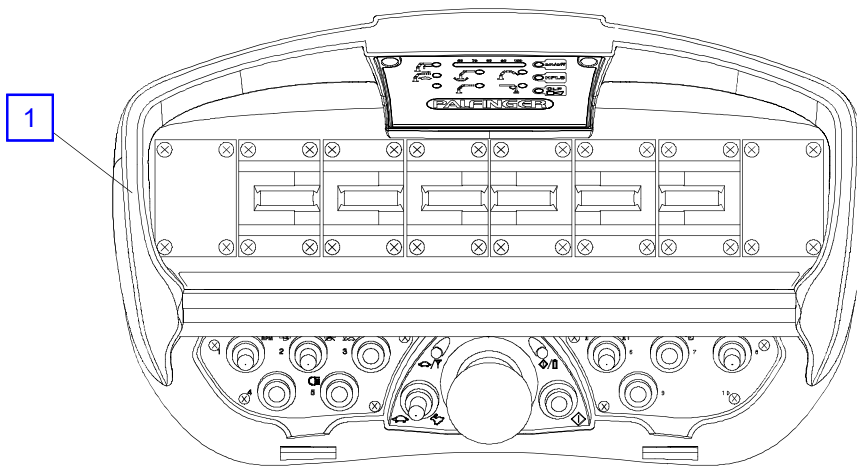
Page	
010	PORTABLE CONTROL
AB03 010.0100	Portable control small
AB03 010.0200	Portable control small
AB03 010.0300	Portable control large
AB03 010.0400	Portable control large
AB03 010.0500	Portable control large
AB03 010.0600	Portable control large
AB03 010.0700	Portable control large
AB03 010.0800	Portable control small
AB03 010.0900	Portable control large
020	RECEIVER
AB03 020.0100	Receiver
030	PLUG
AB03 030.0100	Plug
AB03 030.0200	Plug
040	ACCESSORIES
AB03 040.0100	Accessories
AB03 040.0200	Decals



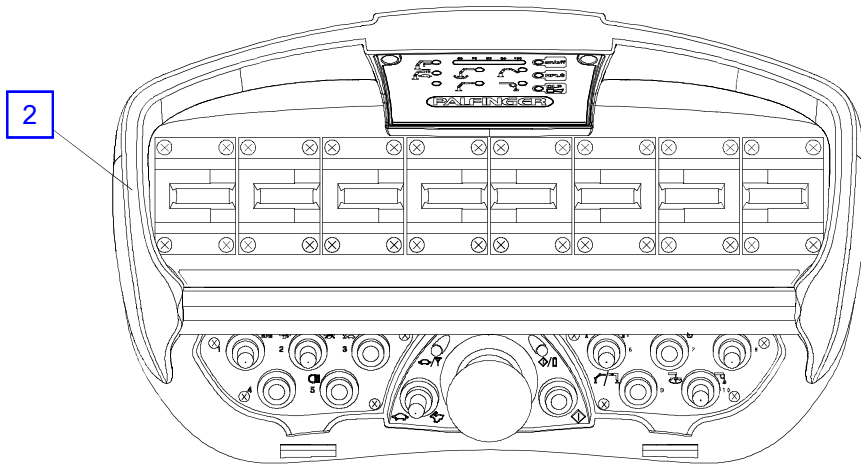
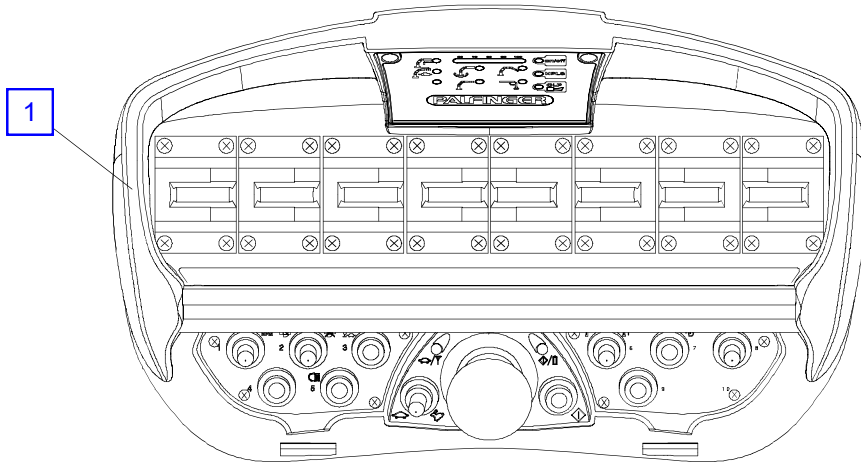
No.	Spare part	Qty.	Description	Dimension
1	EEA4479	1	Transmitter	L1
1	EEA4479A	1	Transmitter (Europe frequenz) (6-sections)	L2
1	EEA4494	1	Transmitter	L1
1	EEA4494A	1	Transmitter (USA/CDN frequency) (6-sections)	L2
1	EEA5655	1	Portable control (Japan frequenz) (6-sections)	L2
2	EEA4480	1	Transmitter	L1
2	EEA4480A	1	Transmitter (Europe frequenz) (without display) (6-sections)	L2
2	EEA4495	1	Transmitter (without display) (6-sections) (USA/CDN frequency)	
2	EEA5656	1	Portable control (6-sections) (without display) (Japan frequenz)	L2
3	EEA6217	1	Transmitter	L1
3	EEA6217A	1	Transmitter (4-sections) (without display) (Europe frequenz)	L2
3	EEA6218	1	Portable control (4-sections) (without display) (USA/CDN frequency)	L2



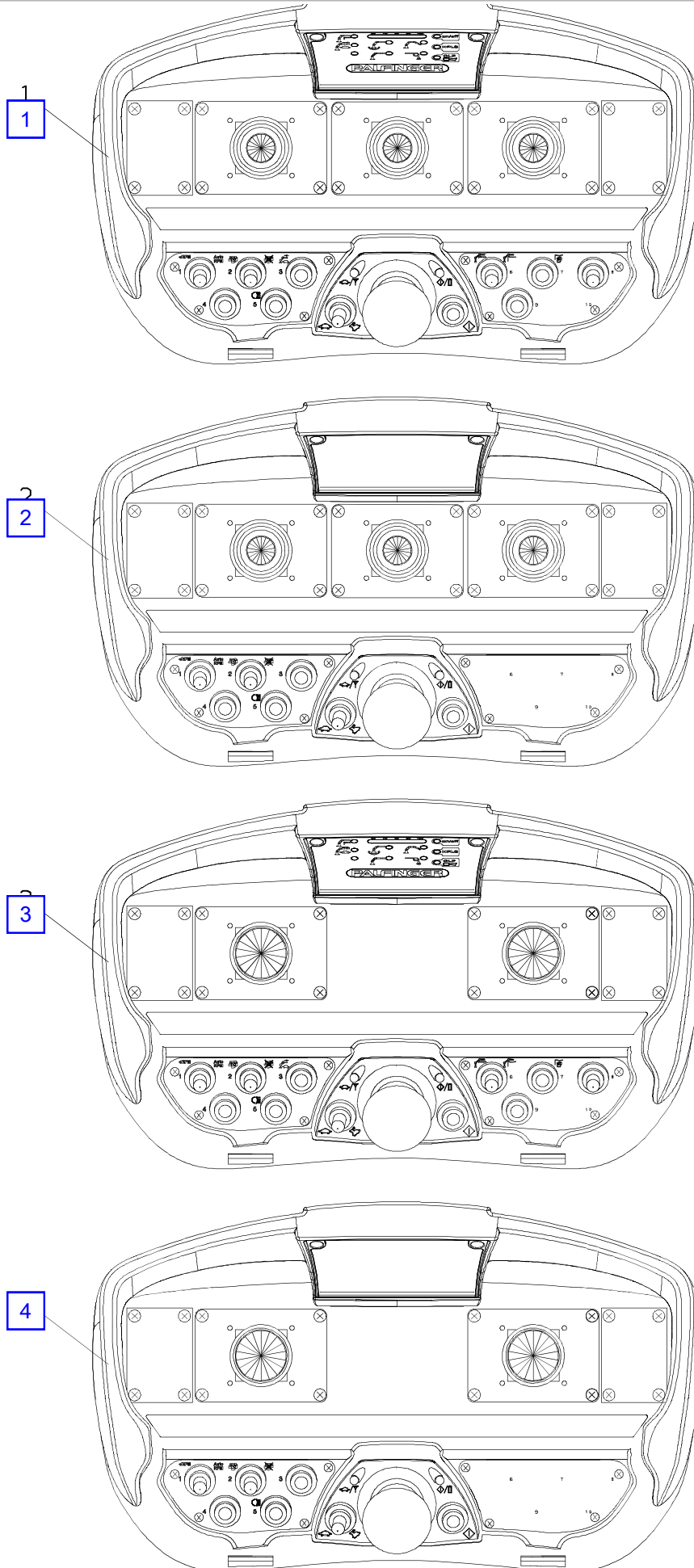
No.	Spare part	Qty.	Description	Dimension
1	EEA4471	1	Transmitter (6-sections) (Europe frequenz)	
1	EEA4486	1	Transmitter (6-sections) (USA/CDN frequency)	
2	EEA4472	1	Transmitter (6-sections) (without display) (Europe frequenz)	
2	EEA4487	1	Transmitter (6-sections) (without display) (USA/CDN frequency)	



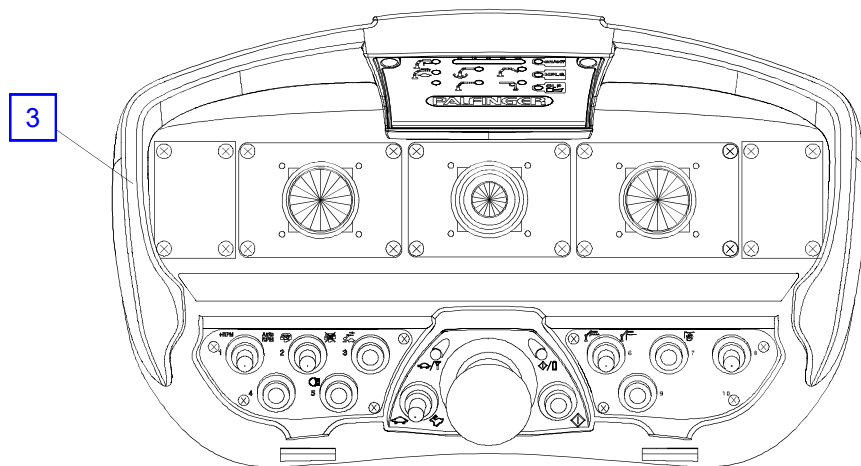
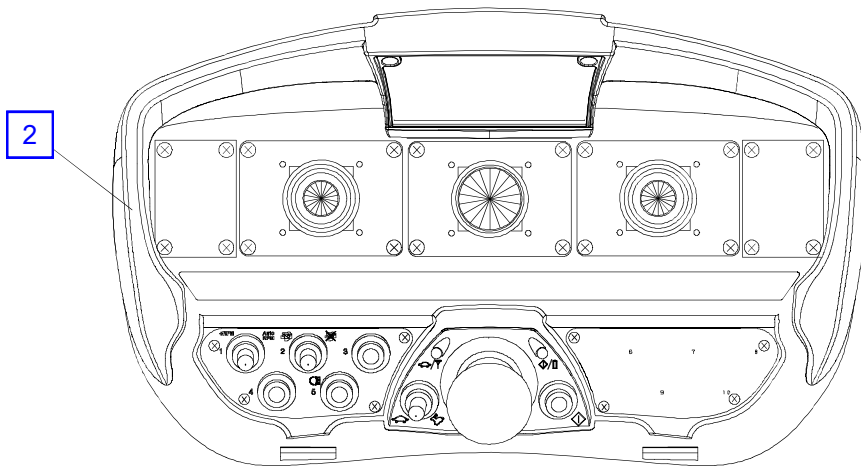
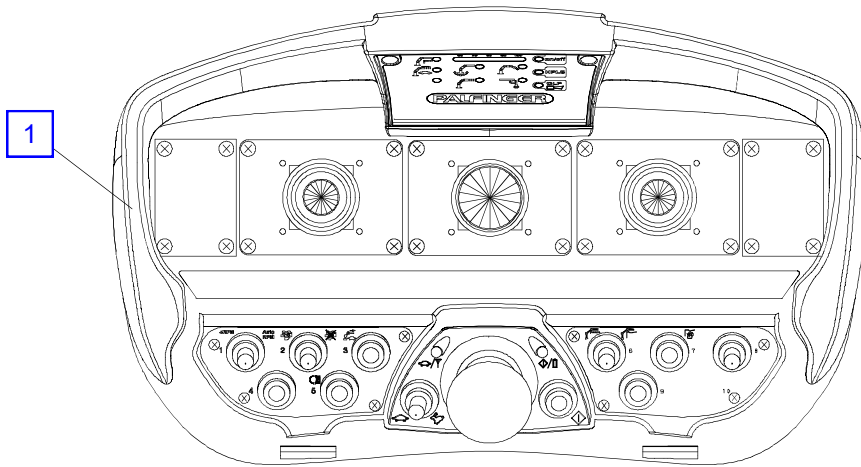
No.	Spare part	Qty.	Description	Dimension
1	EEA5009	1	Transmitter	L1
1	EEA5009A	1	Transmitter (6-sections) (Europe frequenz)	L2
1	EEA5053	1	Transmitter (6-sections) (USA/CDN frequency)	
2	EEA5050	1	Transmitter	L1
2	EEA5050A	1	Transmitter (6-sections) (without display) (Europe frequenz)	L2
2	EEA5054	1	Transmitter (6-sections) (without display) (USA/CDN frequency)	
3	EEA4481	1	Transmitter	L1
3	EEA4481A	1	Transmitter (7-sections) (Europe frequenz)	L2
3	EEA4496	1	Transmitter (7-sections) (USA/CDN frequency)	
4	EEA4482	1	Transmitter	L1
4	EEA4482A	1	Transmitter (7-sections) (without display) (Europe frequenz)	L2
4	EEA4497	1	Transmitter (7-sections) (without display) (USA/CDN frequency)	



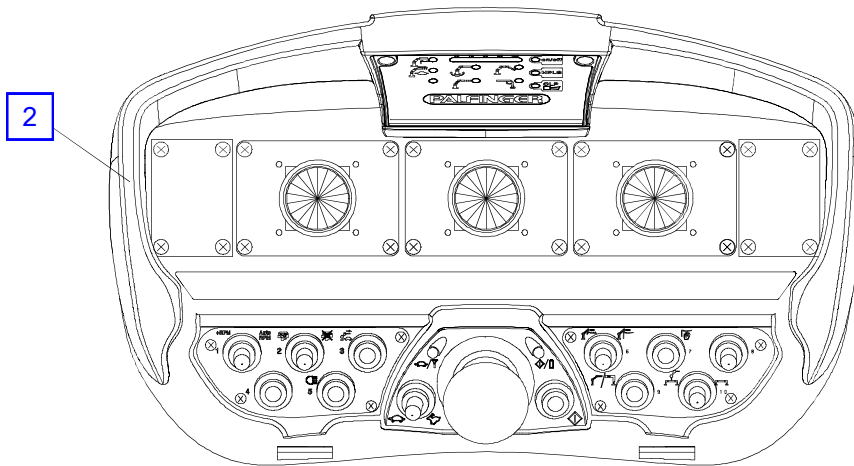
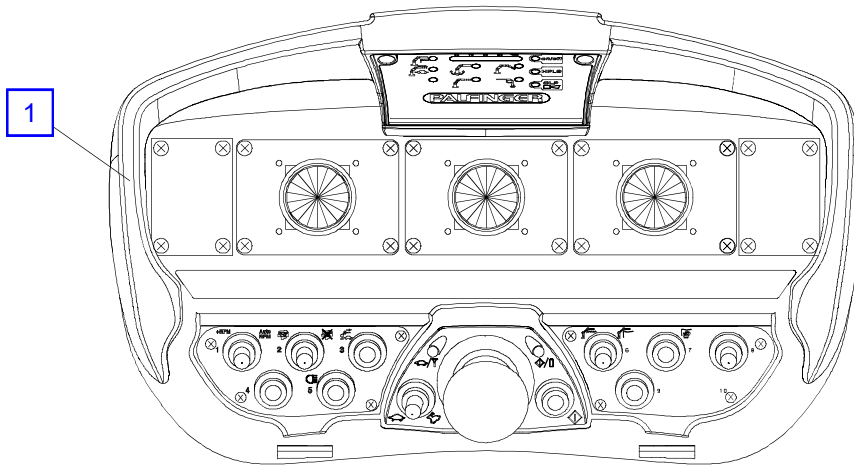
No.	Spare part	Qty.	Description	Dimension
1	EEA4483	1	Transmitter	L1
1	EEA4483A	1	Transmitter (8-sections) (Europe frequenz)	L2
1	EEA4498	1	Transmitter (8-sections) (USA/CDN frequency)	
2	EEA4484	1	Transmitter	L1
2	EEA4484A	1	Transmitter (8+1-sections) (Europe frequenz)	L2
2	EEA4499	1	Transmitter	L1
2	EEA4499A	1	Transmitter (8+1-sections) (USA/CDN frequency)	L2



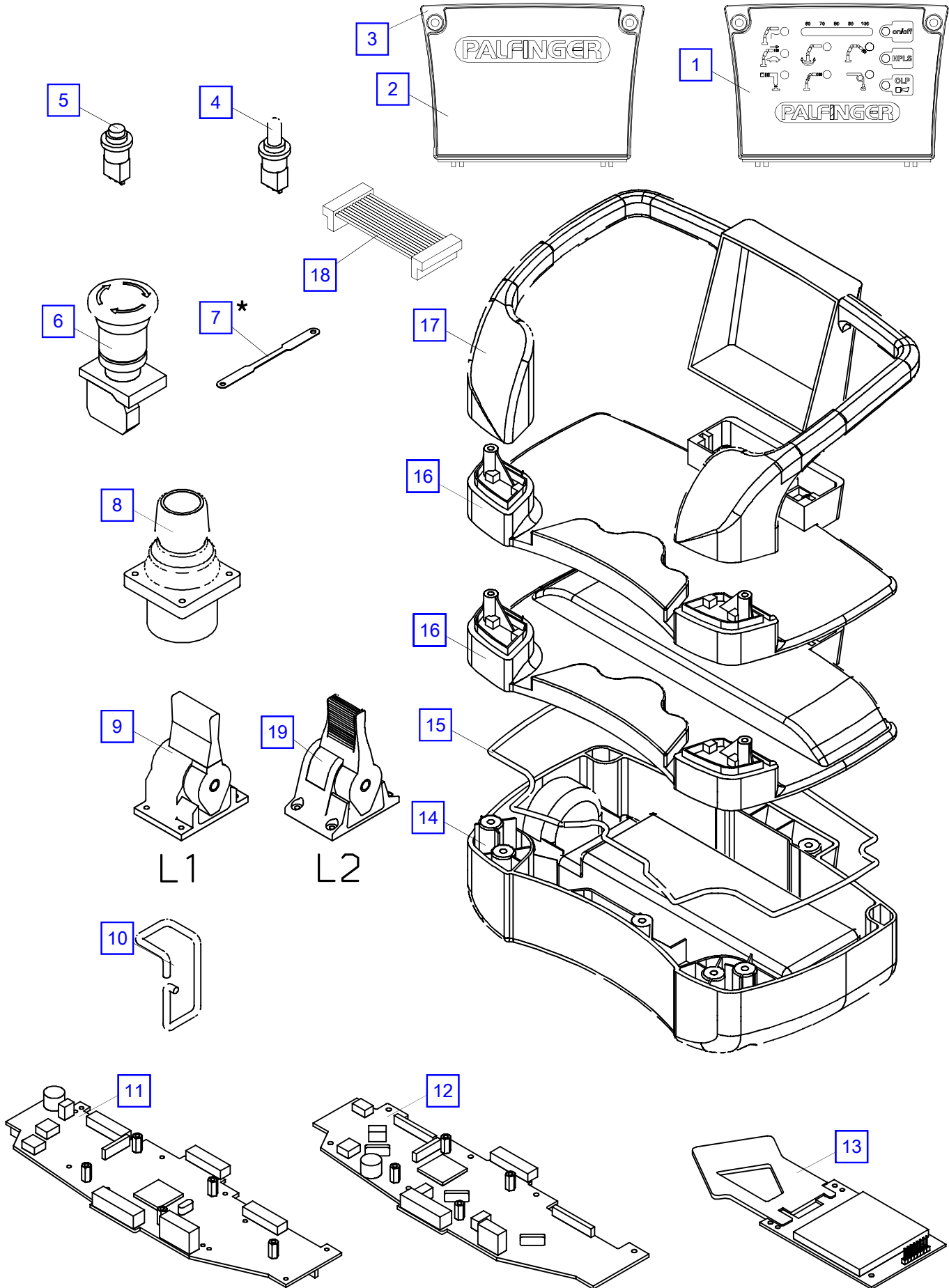
No.	Spare part	Qty.	Description	Dimension
1	EEA5048	1	Transmitter (6-sections) (Europe frequenz)	
1	EEA5051	1	Transmitter (6-sections) (USA/CDN frequency)	
2	EEA5049	1	Transmitter (6-sections) (without display) (Europe frequenz)	
2	EEA5052	1	Transmitter (6-sections) (without display) (USA/CDN frequency)	
3	EEA4473	1	Transmitter (6-sections) (Europe frequenz)	
3	EEA4488	1	Transmitter (6-sections) (USA/CDN frequency)	
4	EEA4474	1	Transmitter (6-sections) (without display) (Europe frequenz)	
4	EEA4489	1	Transmitter (6-sections) (without display) (USA/CDN frequency)	



No.	Spare part	Qty.	Description	Dimension
1	EEA4475	1	Transmitter (7-sections) (Europe frequenz)	
1	EEA4490	1	Transmitter (7-sections) (USA/CDN frequency)	
2	EEA4476	1	Transmitter (7-sections) (without display) (Europe frequenz)	
2	EEA4491	1	Transmitter (7-sections) (without display) (USA/CDN frequency)	
3	EEA4477	1	Transmitter (8-sections) (Europe frequenz)	
3	EEA4492	1	Transmitter (8-sections) (USA/CDN frequency)	



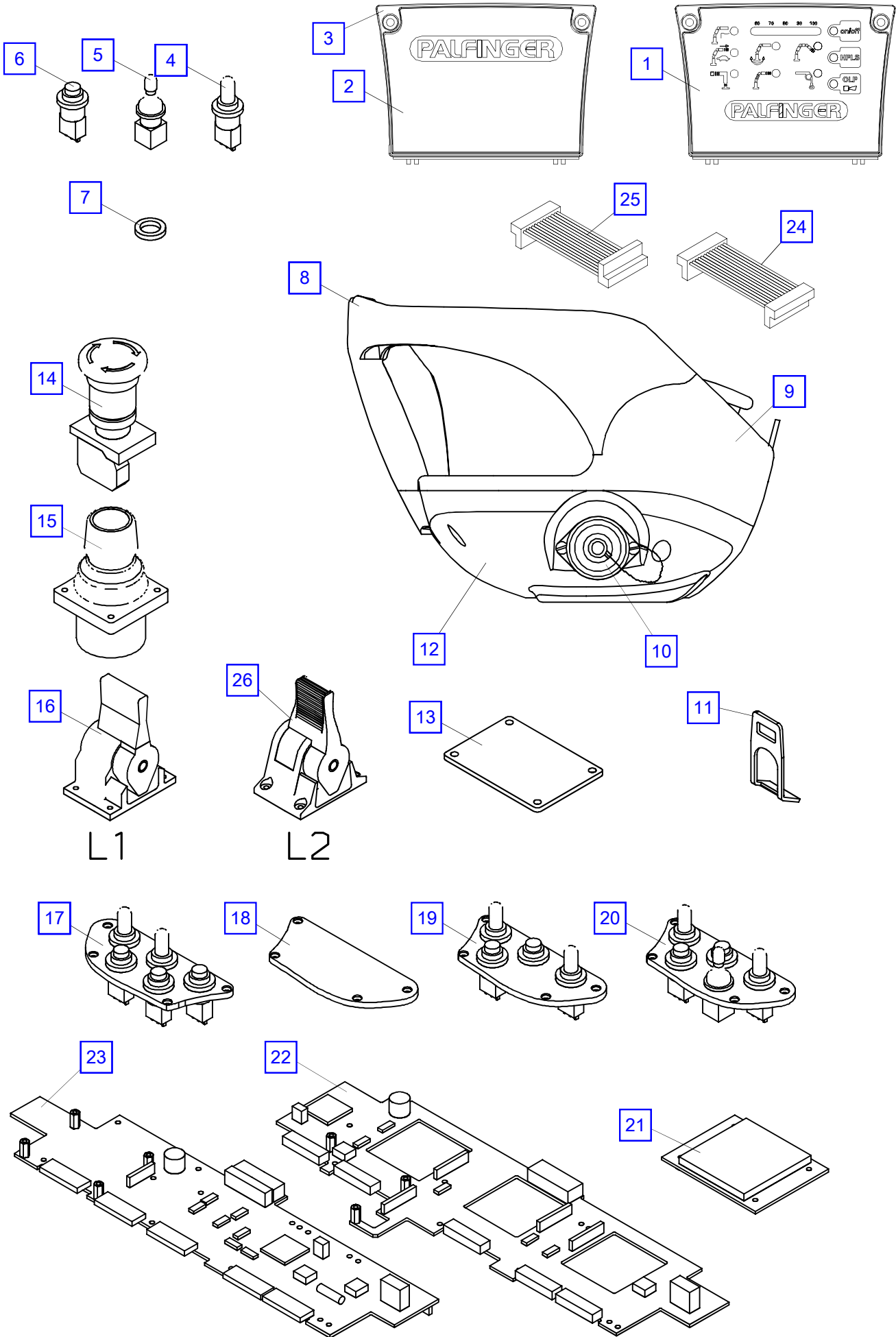
No.	Spare part	Qty.	Description	Dimension
1	EEA4478	1	Transmitter (9-sections) (Europe frequenz)	
1	EEA4493	1	Transmitter (9-sections) (USA/CDN frequency)	
2	EEA4823	1	Transmitter (tandem) (9-sections) (Europe frequenz)	
2	EEA4824	1	Transmitter (tandem) (9-sections) (USA/CDN frequency)	



* **Sicherungsband für Not-Ausschalter**
Fixation strap for emergency cut off switch
Bande de fixation pour le commutateur d'arrêt d'urgences

No.	Spare part	Qty.	Description	Dimension
1	EEA4793	1	Display	
2	EB4944	1	Decal	
3	EEA4717	1	Planking plate	
4	EEA4013	1	Rocker switch	ON-ON
4	EEA2582	1	Rocker switches (detent)	ON-OFF-ON
	EEA2578	1	Cap	
4	EEA2569	1	Rocker switch	ON-OFF-ON
	EEA2578	1	Cap	
5	EEA2570	1	Push button	
	EEA5589	1	Rubber cap	
6	EEA4786	1	Emergency cut-off	
7	EK1461	1	Safety stirrup	
8	EEA4784	1	Cross levers	
9	EEA2506	1	Linear levers (5-pole) (5-pole)	L1
10	EEA4926	1	Belt attachment	
11	EEA4790	1	Attachment board (linear levers)	L1
11	EEA5471	1	Frequency Europe,JapanAttachment board (linear levers)	L2
12	EEA4791	1	Frequency Europe,JapanAttachment board (cross levers)	
13	EEA4794	1	High Frequency module, cpl. (Europe frequenz)	
13	EEA4707	1	High Frequency module, cpl. (USA/CDN frequency)	
14	EEA4787	1	Housing base	
	EEA4301	1	Cap	
	EEA4714	1	Plug	
15	EK1230	1	Seal	
16	EEA4789	1	Housing with switch (cross levers) (with LED) (with switch)	
16	EEA5056	1	Housing with switch (cross levers) (without LED) (with switch)	
16	EEA5057	1	Housing with switch (linear levers) (with LED) (with switch)	
16	EEA4858	1	Housing with switch (linear levers) (without LED) (with switch)	
17	EEA6189	1	Housing top	
18	EEA10000	1	Connecting cable - Display (Display)	
19	EEA9901	1	Linear levers (4-pole) (4-pole)	L2

Portable control large

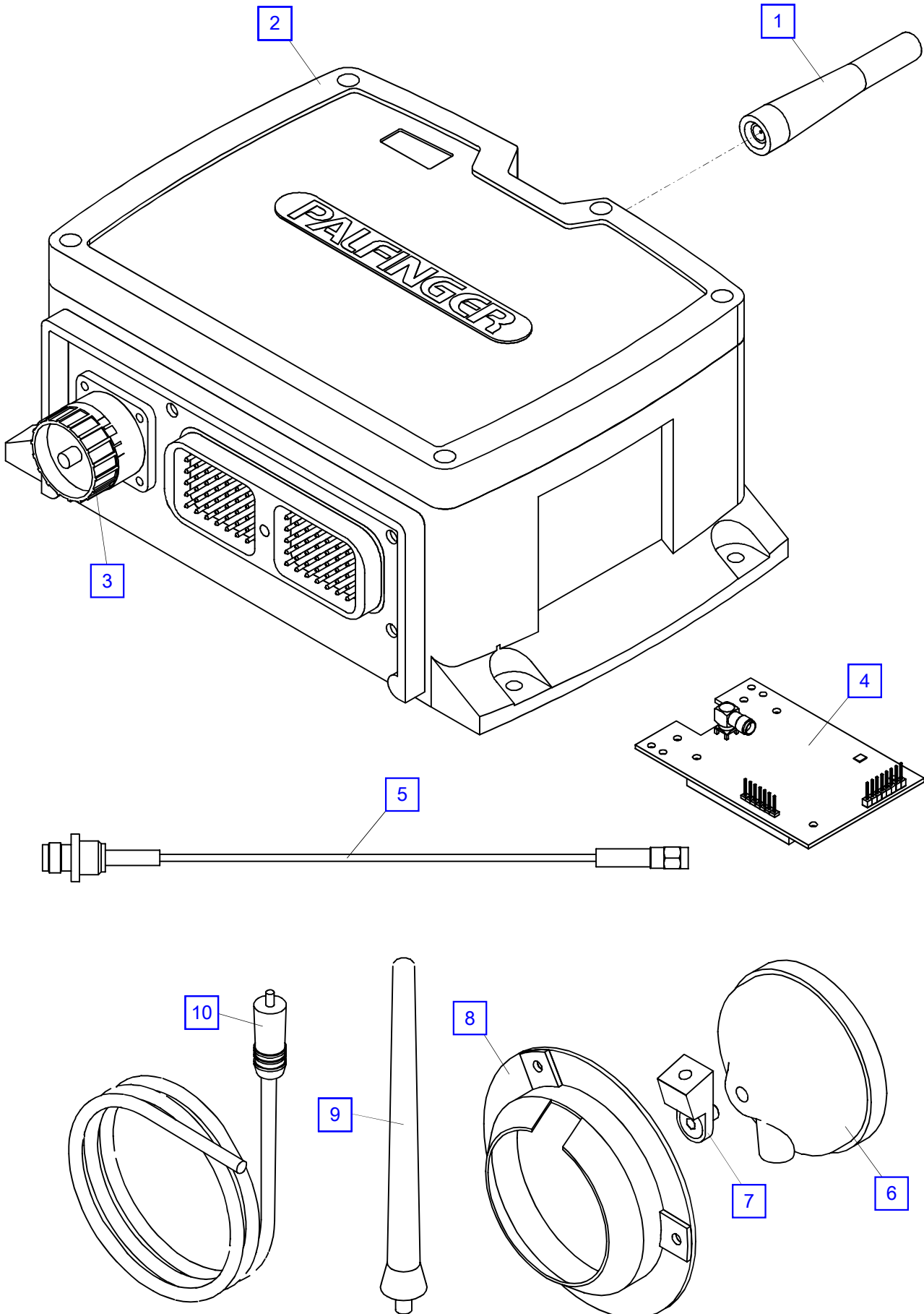


No.	Spare part	Qty.	Description	Dimension
1	EEA4793	1	Display	
2	EB4944	1	Decal	
3	EEA4717	1	Planking plate	
4	EEA4013	1	Rocker switch	ON-ON
4	EEA2582	1	Rocker switches (detent)	ON-OFF-ON
	EEA2578	1	Cap	
4	EEA2569	1	Rocker switch	ON-OFF-ON
	EEA2578	1	Cap	
5	EEA4059	1	Rocker switches (detent)	ON-OFF-ON
	EEA4430	1	Cap (detent) (2-positions)	
6	EEA2570	1	Push button	
	EEA5589	1	Rubber cap	
7	EEA4919	1	Distance ring (for 3-4-5)	
8	EEA4715	1	Housing top (linear levers)	
8	EEA4709	1	Housing top (cross levers)	
9	EEA4914	1	Housing (linear levers)	
9	EEA4859	1	Housing (cross levers)	
10	EEA4714	1	Plug	
	EEA4301	1	Cap	
11	EEA2763	1	Belt attachment	
12	EEA4708	1	Housing base	
13	EK1228	1	Planking plate (cross levers)	
13	EEA2541	1	Planking plate (linear levers)	
14	EEA5438	1	Emergency cut-off button	
15	EEA4000	1	Cross levers	2 axis
15	EEA4001	1	Cross levers	3 axis
16	EEA2506	1	Linear levers (5-pole) (5-pole)	L1
17	EEA4920	1	Switch unit (for EEA4481/96) (for EEA4483/98) (for EEA4484/99) (for EEA4823/24) (for EEA4473/88)	
17	EEA4921	1	Switch unit	
18	EEA2759	1	Cover	
19	EEA4922	1	Switch unit	
20	EEA4923	1	Switch unit (for EEA4484/99)	
20	EEA4924	1	Switch unit (for EEA4823/24)	
20	YE81387	1	Switch unit (for Epsilon)	
21	EEA4860	1	High Frequency module, cpl. (Europe frequenz)	

Portable control large

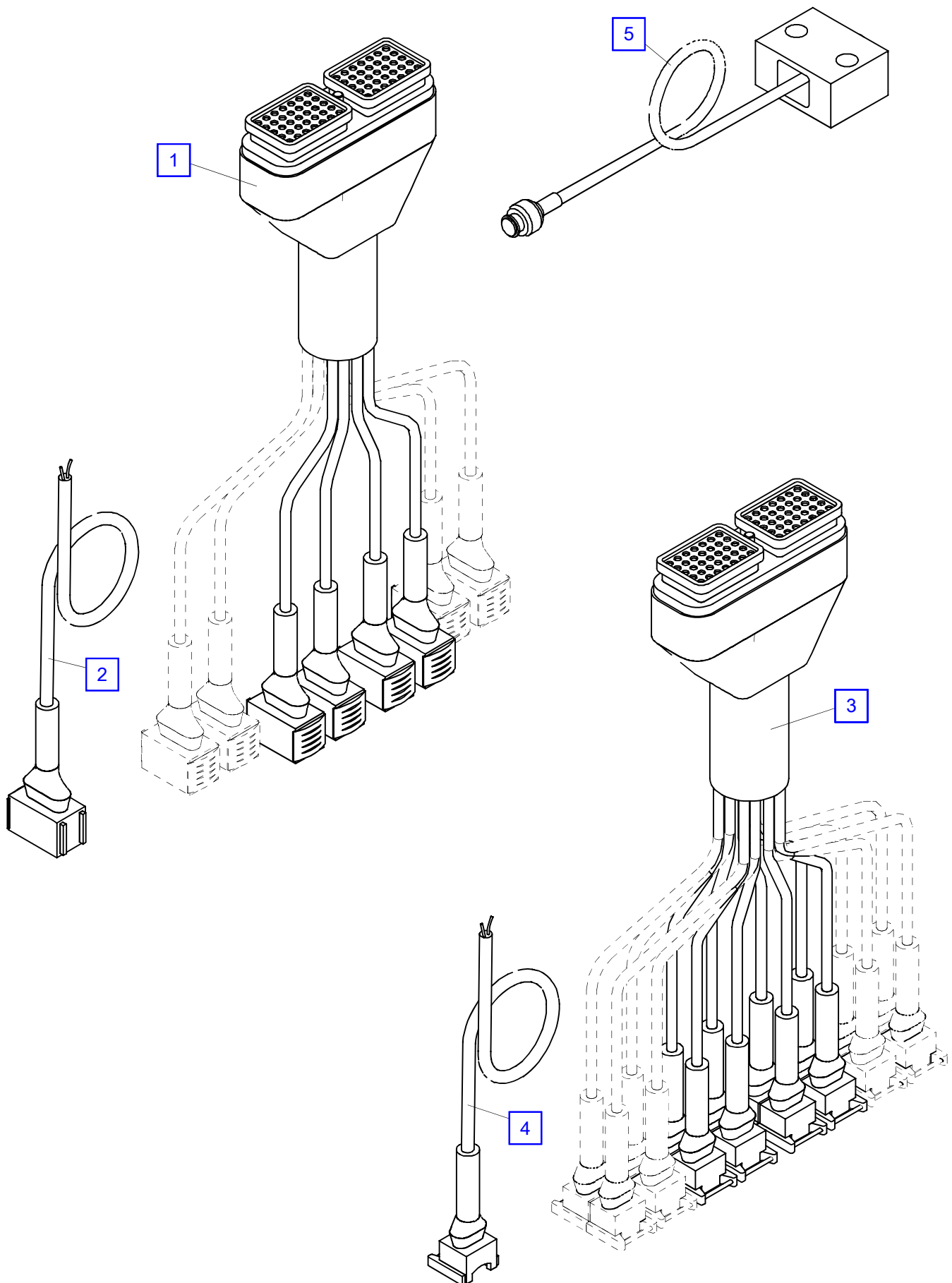
No.	Spare part	Qty.	Description	Dimension
21	EEA4718	1	High Frequency module, cpl. (USA/CDN frequency)	
22	EEA4916	1	Frequency Europe,JapanAttachment board (cross levers)	
23	EEA4915	1	Attachment board (linear levers)	L1
23	EEA5470	1	Frequency Europe,JapanAttachment board (linear levers)	L2
24	EEA9999	1	Connecting cable - Display (Display)	
25	EEA4846	1	Connecting cable - Joystick (Joy stick)	
26	EEA9901	1	Linear levers (4-pole) (4-pole)	L2

this page is intentionally left blank



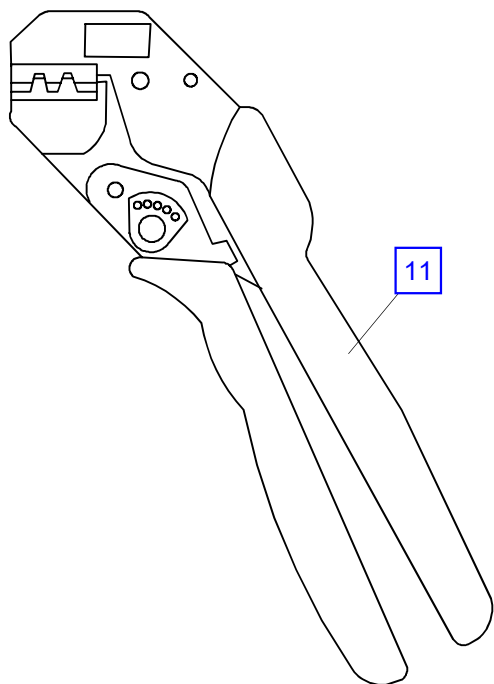
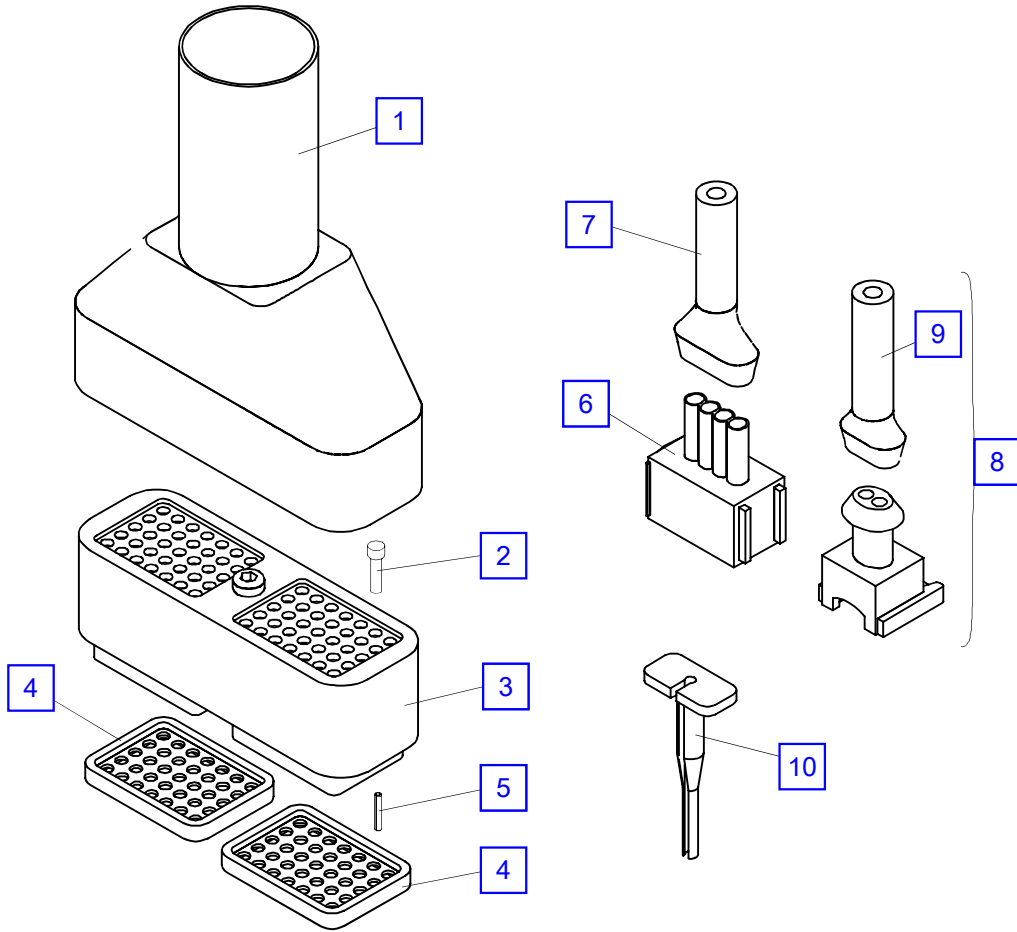
No.	Spare part	Qty.	Description	Dimension
1	EEA4796	1	Antenna EUROPA (Europe frequenz)	433 MHz
1	EEA4720	1	Antenna USA (USA/CDN frequency)	915 MHz
2	EEA4570	1	Receiver EUROPA (Europe frequenz)	433 MHz PVG 7Prop
2	EEA4610	1	Receiver USA (USA/CDN frequency)	915 MHz PVG 7Prop
2	EEA5653	1	Receiver (Japan frequenz)	PVG 7Prop
2	EEA5654	1	Receiver (Japan frequenz)	RSQ 7Prop
2	EEA4571	1	Receiver EUROPA (Europe frequenz)	433 MHz RSQ 8Prop
2	EEA4611	1	Receiver USA (USA/CDN frequency)	915 MHz RSQ 8Prop
2	EEA5709	1	Receiver EUROPA (Europe frequenz)	433 MHz PVG 8Prop
3	EEA4911	1	Cap	
4	EEA4795	1	High frequency part EUROPA (Europe frequenz)	433 MHz
4	EEA4719	1	High frequency part USA (USA/CDN frequency)	915 MHz
5	EEA4907	1	Connecting cable	
6	EEA5096	1	Bearer	
7	EEA5097	1	Adapter	
8	EEA5095	1	Bearer	
9	EEA5094	1	Antenna EUROPA (only EU)	433 MHz
9	EEA5093	1	Antenna USA (only USA)	915 MHz
10	EEA5098	1	Antenna cable	2.5 m
10	EEA5099	1	Antenna cable	5 m
10	EEA5100	1	Antenna cable	10 m

Plug

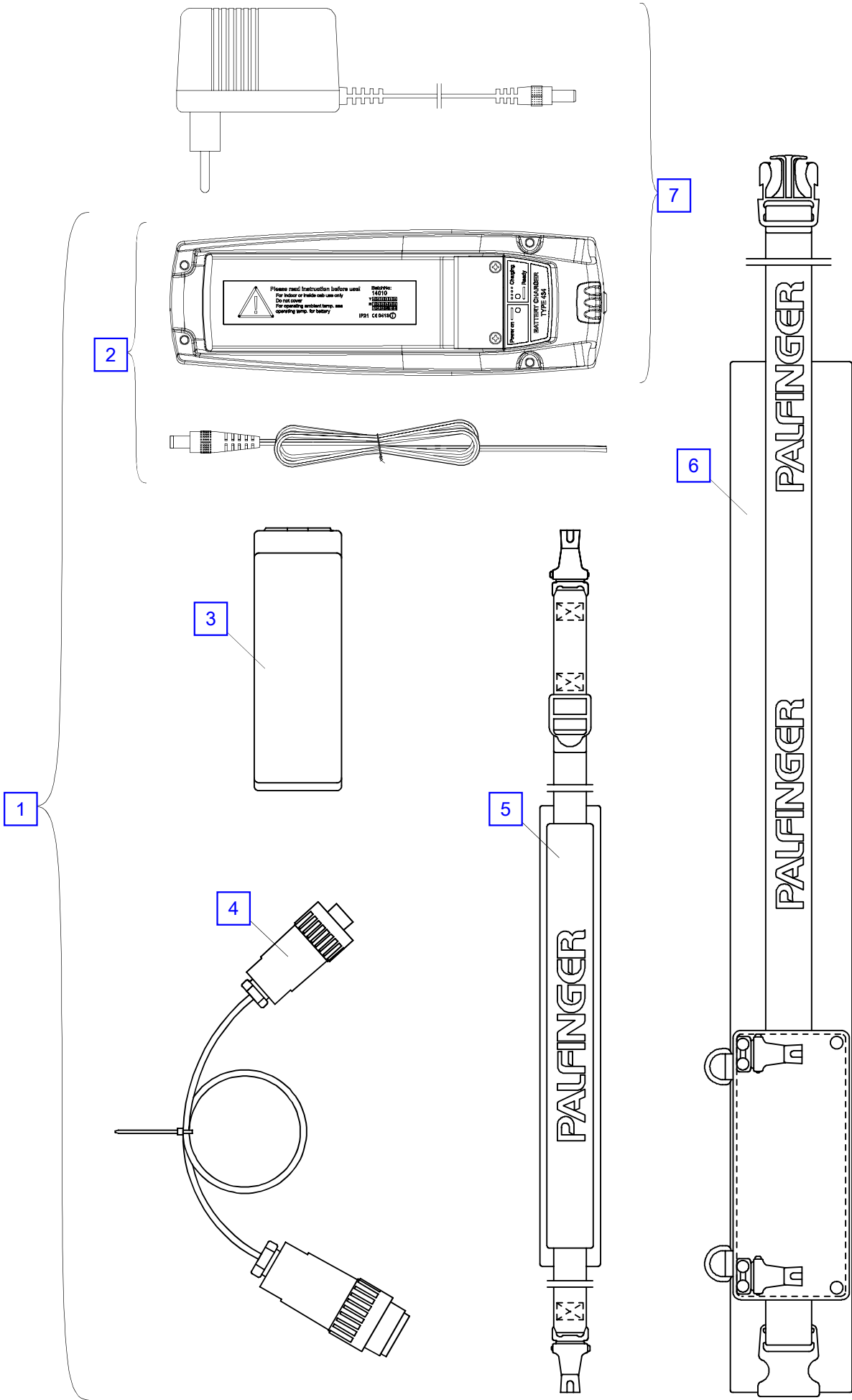


No.	Spare part	Qty.	Description	Dimension
1	EEA4202S	1	Cable harness (4-sections) (DANFOSS,AMP) (4-sections)	PVG
1	EEA4989	1	Cable harness (6-sections) (DANFOSS,AMP) (6-sections)	PVG
1	EEA4990	1	Plug,cpl. (DANFOSS,AMP) (8-sections)	
2	EEA4200	1	Cable harness, grey	l=2000
3	EEA4568	1	Cable harness (4-sections) (RSQ 240 RC) (4-sections)	RSQ
3	EEA4991	1	Plug,cpl. (RSQ 240 RC) (6-sections)	
3	EEA4992	1	Cable harness (8-sections) (RSQ 240 RC) (8-sections)	RSQ 2 m
4	EEA4201	1	Plug with cable (2-pole)	l=2000 mm
4	EEA5634	1	Plug with cable (2-pole)	l=2710 mm PWM
5	EEA4732	1	Antenna cable	2.5m
5	EEA4721	1	Antenna cable	5 m
5	EEA4733	1	Antenna cable	10m

Plug

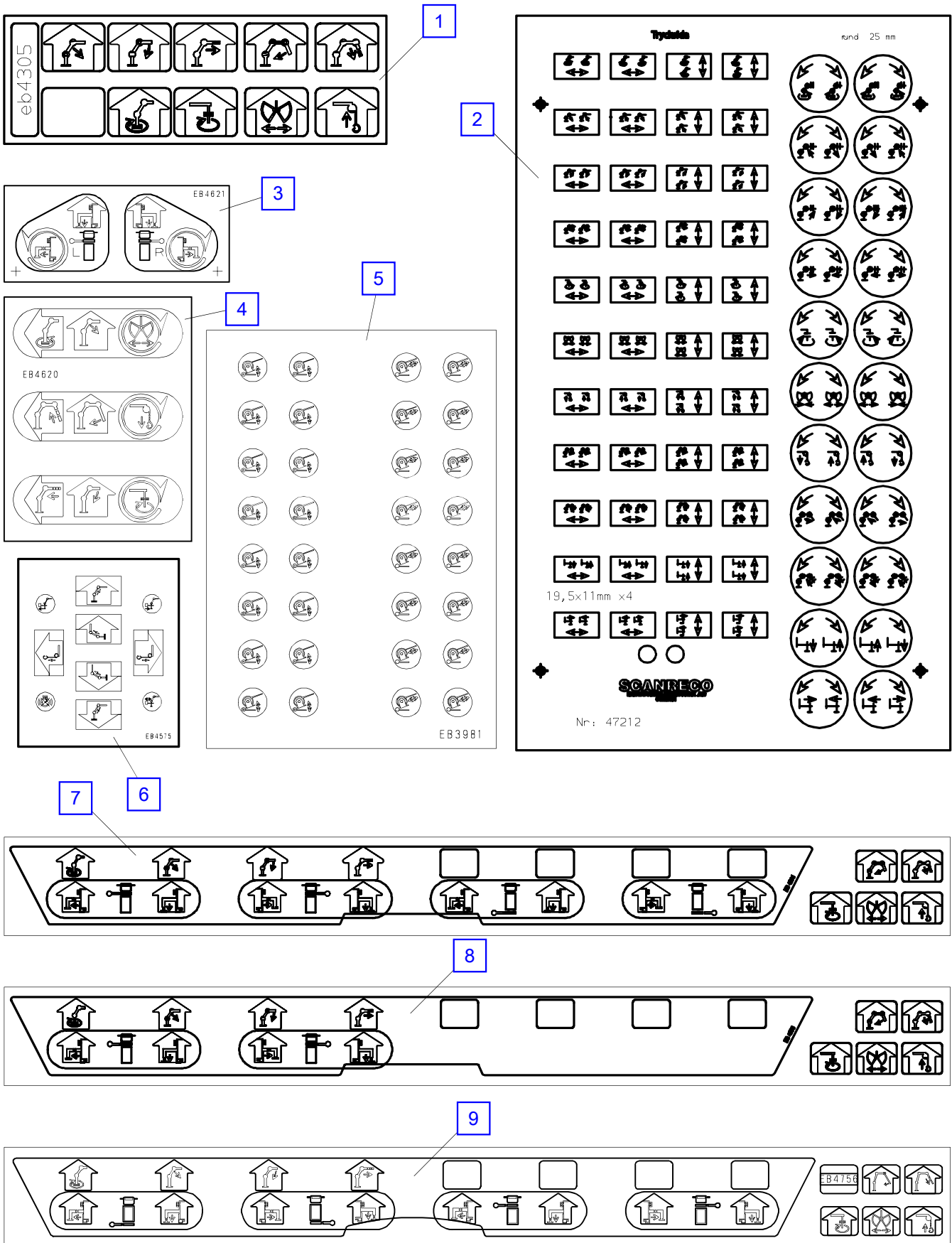


No.	Spare part	Qty.	Description	Dimension
1	EEA4169	1	Rubber cap	
2	EEA4423		Seal plug	
3	EEA4090	1	Plug (+4)	
4	EEA4424	2	Seal	
5	EEA4092	0	Contact	1-2.8 mm
5	EEA4093	0	Contact	0.5-1 mm
5	EEA4093		Contact	0.5-1 mm
6	EEA2608	1	Plug, grey	AMP
7	EZ1731	1	Rubber grummet	
8	EEA4425	1	Plug (2-pole) (+9)	
9	EEA4426	1	Rubber grummet	
10	EEA4411	1	Ejector	
11	EEA4412	1	Pliers	



No.	Spare part	Qty.	Description	Dimension
1	EZ2600	1	Accessories Set	
2	EEA4291	1	Charger	10-30V
3	EEA2512	2	Accu	7.2 VDC
4	EEA4699	1	Control cables	L=10m
5	EZ1607	1	Neck belt	
6	EZ1608	1	Lap belt	
7	EEA4404	1	Charger	110-220VAC

Decals



No.	Spare part	Qty.	Description	Dimension
1	EB4305	1	Symbol sign	
2	EK1143	1	Symbol sign	
3	EB4621	1	Symbol sign	
4	EB4620	1	Symbol sign	
5	EB3981	1	Decal	
6	EB4575	1	Symbol sign	
7	EB4301	1	Symbol sign	
8	EB4300	1	Symbol sign	
9	EB4756	1	Symbol sign	

Spare Parts Catalogue

PK 6500

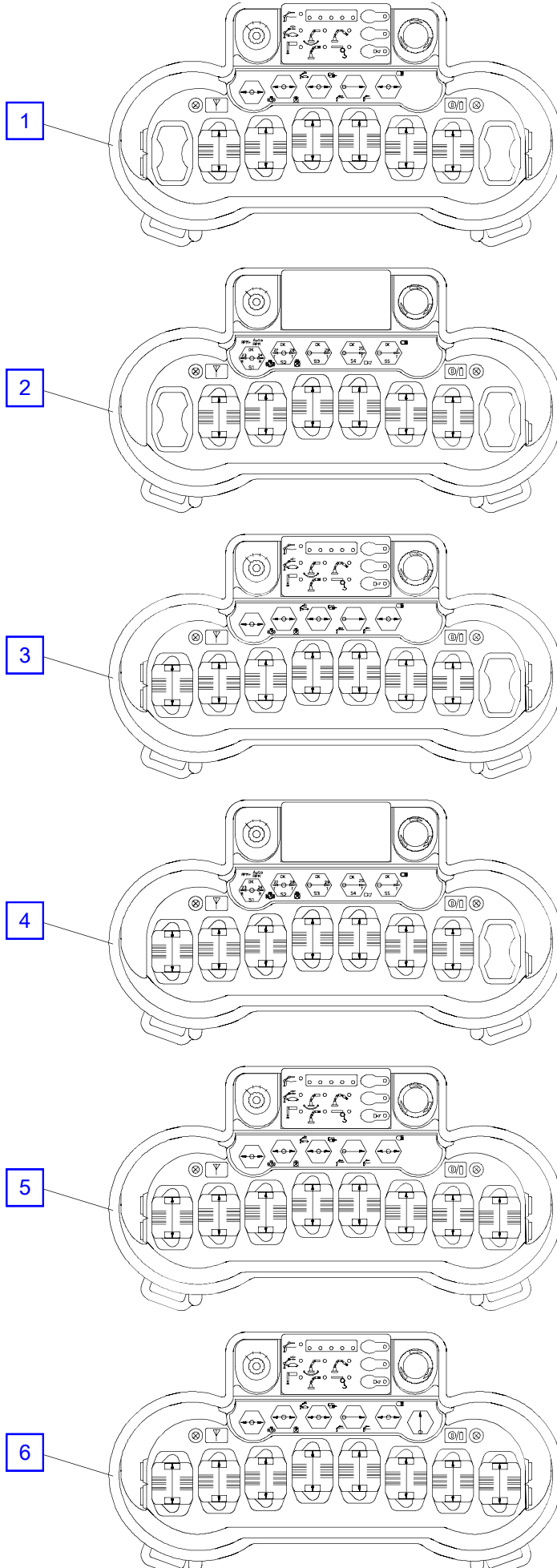
(AB_Classic_FFST-BMS2)

Edition 01/2001

EN

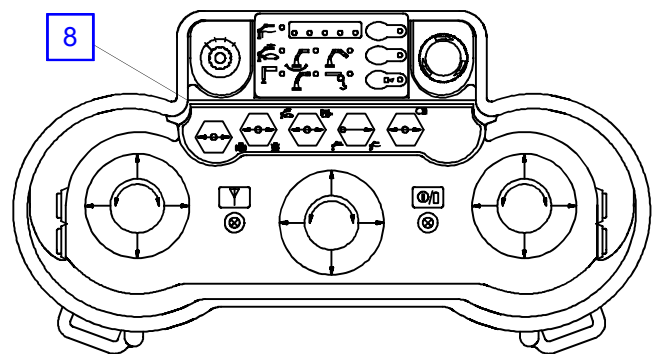
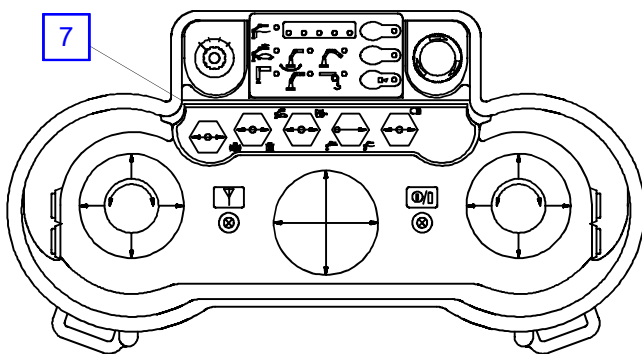
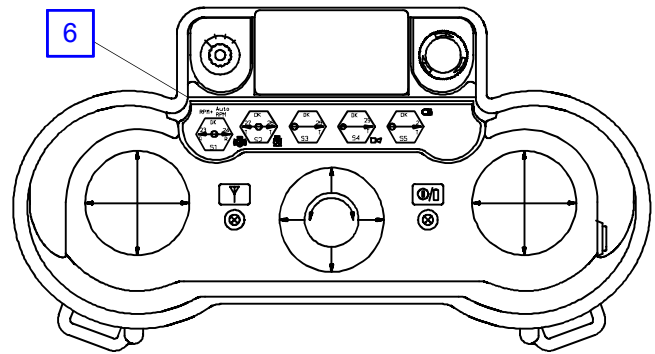
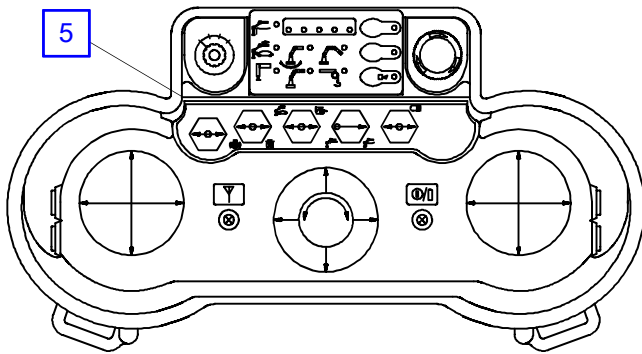
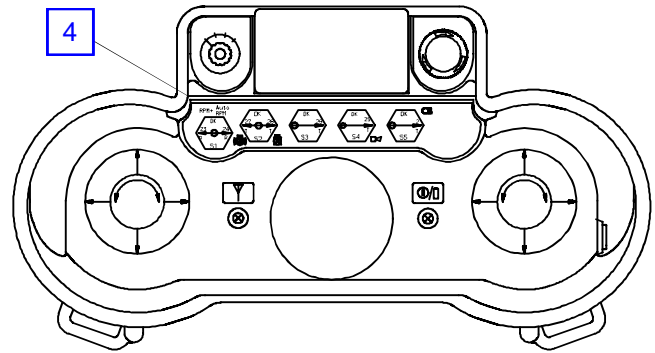
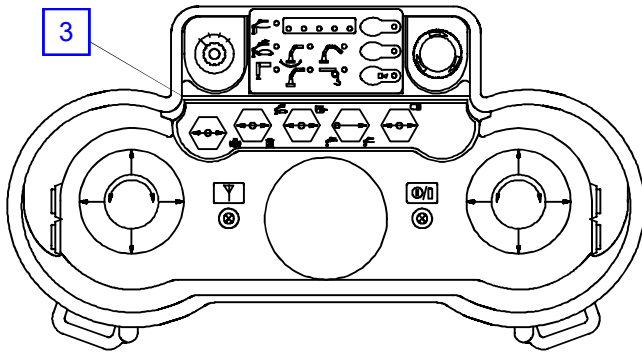
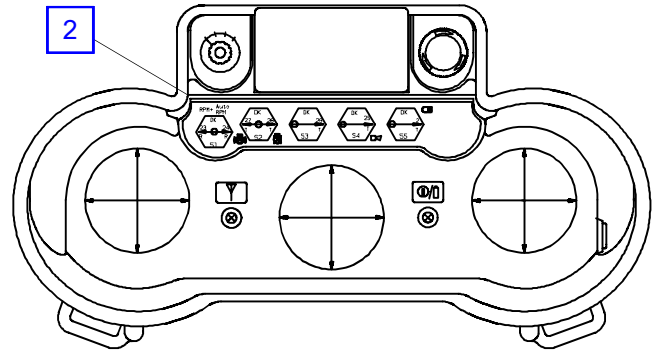
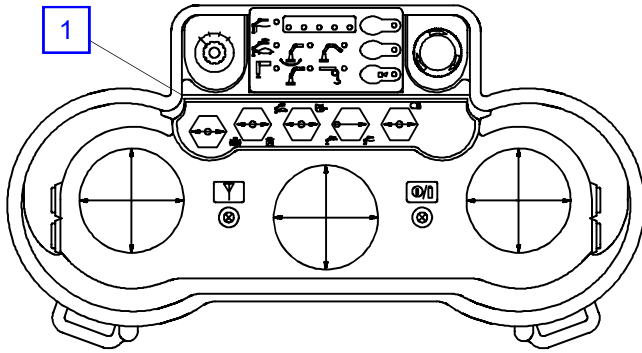
PALFINGER AG
Lamprechtshausener Bundesstraße 8
5101 Bergheim / Austria
www.palfinger.com

Page	
010	PORTABLE CONTROL
AB04 010.0100	Portable control
AB04 010.0200	Portable control
AB04 010.0300	Portable control
AB04 010.0400	Portable control
AB04 010.0500	Portable control
020	RECEIVER
AB04 020.0100	Receiver
030	PLUG
AB04 030.0100	Plug
AB04 030.0200	Plug
040	ACCESSORIES
AB04 040.0100	Accessories
AB04 040.0200	Accessories

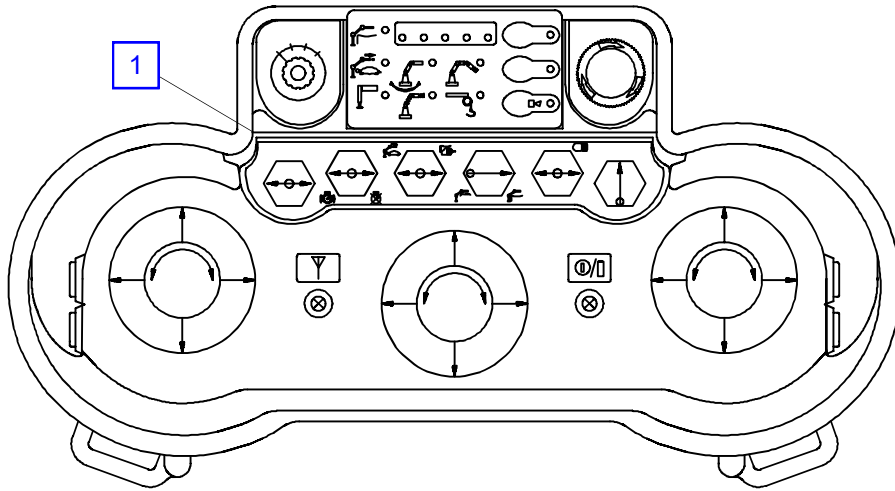


No.	Spare part	Qty.	Description	Dimension
1	EEA4509	1	Transmitter (Europe frequenz) (6-sections)	
1	EEA4523	1	Transmitter (USA/CDN frequency) (6-sections)	
2	EEA4510	1	Transmitter (6-sections) (Europe frequenz) (without display)	
2	EEA4524	1	Transmitter (USA/CDN frequency) (without display) (6-sections)	
3	EEA4511	1	Transmitter (Europe frequenz) (7-sections)	
3	EEA4525	1	Transmitter (USA/CDN frequency) (7-sections)	
4	EEA4512	1	Transmitter (Europe frequenz) (without display) (7-sections)	
4	EEA4526	1	Transmitter (USA/CDN frequency) (without display) (7-sections)	
5	EEA4513	1	Transmitter (Europe frequenz) (8-sections)	
5	EEA4527	1	Transmitter (USA/CDN frequency) (8-sections)	
6	EEA4514	1	Transmitter (Europe frequenz) (8+1-sections)	
6	EEA4528	1	Transmitter (8+1-sections) (USA/CDN frequency)	

Portable control

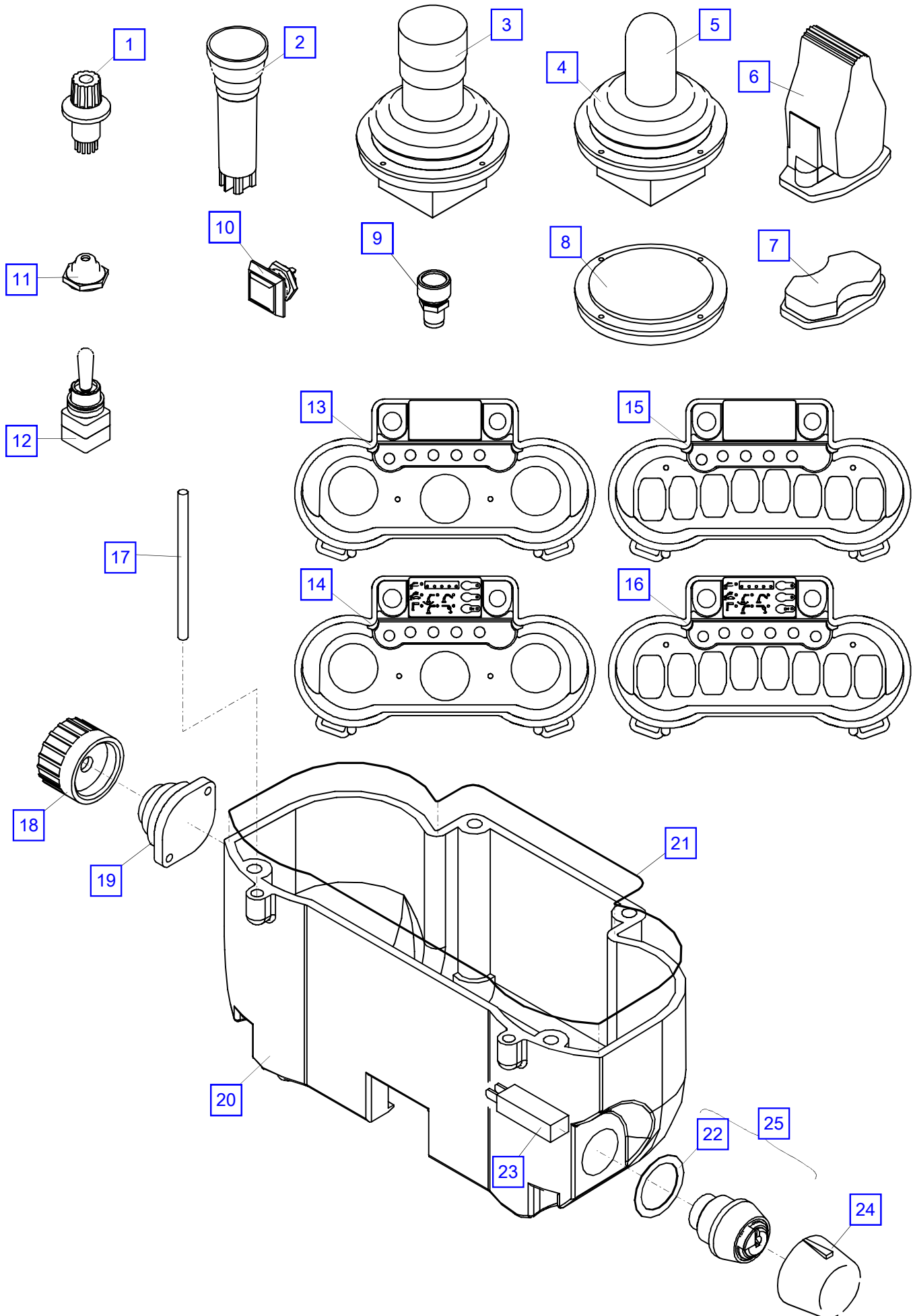


No.	Spare part	Qty.	Description	Dimension
1	EEA4501	1	Transmitter (6-sections) (Europe frequenz)	
1	EEA4515	1	Transmitter (6-sections) (USA/CDN frequency)	
2	EEA4502	1	Transmitter (6-sections) (without display) (Europe frequenz)	
2	EEA4516	1	Transmitter (6-sections) (without display) (USA/CDN frequency)	
3	EEA4503	1	Transmitter (6-sections) (Europe frequenz)	
3	EEA4517	1	Transmitter (6-sections) (USA/CDN frequency)	
4	EEA4504	1	Transmitter (6-sections) (without display) (Europe frequenz)	
4	EEA4518	1	Transmitter (6-sections) (without display) (USA/CDN frequency)	
5	EEA4505	1	Transmitter (7-sections) (Europe frequenz)	
5	EEA4519	1	Transmitter (7-sections) (USA/CDN frequency)	
6	EEA4506	1	Transmitter (7-sections) (without display) (Europe frequenz)	
6	EEA4520	1	Transmitter (7-sections) (without display) (USA/CDN frequency)	
7	EEA4507	1	Transmitter (8-sections) (Europe frequenz)	
7	EEA4521	1	Transmitter (8-sections) (USA/CDN frequency)	
8	EEA4508	1	Transmitter (9-sections) (Europe frequenz)	
8	EEA4522	1	Transmitter (9-sections) (USA/CDN frequency)	



No.	Spare part	Qty.	Description	Dimension
1	EEA4825	1	Transmitter (9-sections) (Europe frequenz)	
1	EEA4826	1	Transmitter (9-sections) (USA/CDN frequency)	

Portable control

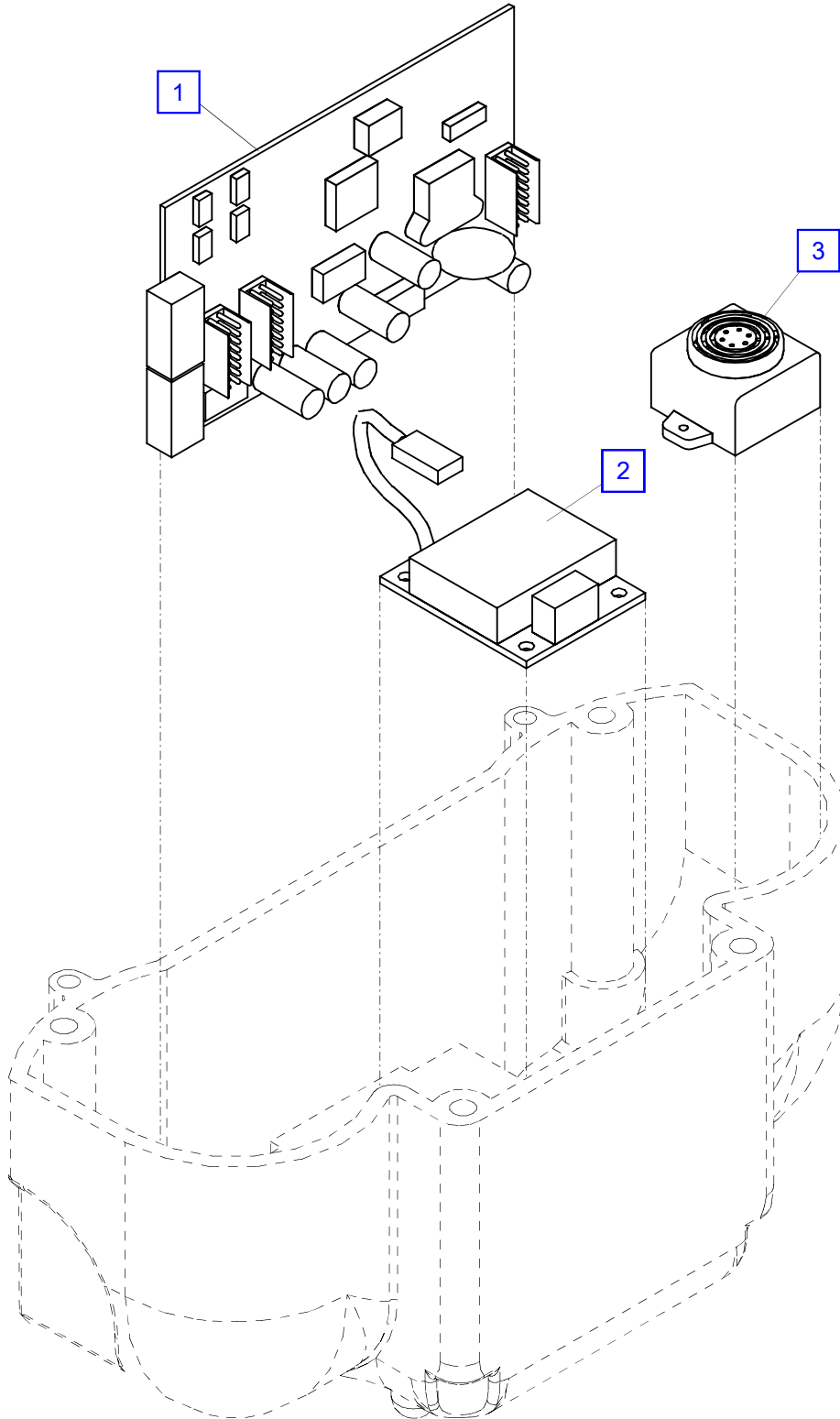


No.	Spare part	Qty.	Description	Dimension
1	EEA4749	1	Rotary switch	
	EK1194	1	Knob	
1	EK1194	1	Knob	
2	EEA3846	1	Emergency cut-off button	
3	EEA4748	1	Cross levers	
4	EK1217	1	Rubber cap	
5	EEA4747	1	Cross levers	
6	EEA2598	6	Linear lever	
7	EK1191	1	Planking plate	
8	EK1192	1	Planking plate	
9	EEA6199	1	LED, red/green (cpl.)	5 mm
9	EEA6200	1	LED housing (without LED)	5 mm
9	EEA6201	1	LED, green	5 mm
10	EEA3850	1	Push button, black	
10	EEA4751	1	Push button, green	
10	EK1195	1	Frame	24x24x8 mm
10	EK1196	1	Frame	41,5x24x8 mm
11	EZ2173	1	Rubber cap	
11	EZ2645	1	Rubber cap	
12	EEA4752	1	Toggle switch	R-0-R
	EZ2645	1	Rubber cap (EZ2645)	
12	EEA4753	1	Toggle switch	T-0-T
	EZ2173	1	Rubber cap (EZ2137)	
12	EEA4755	1	Toggle switch	0-R
	EZ2645	1	Rubber cap (EZ2645)	
12	EEA4804	1	Toggle switch	0-R
	EZ2645	1	Rubber cap (EZ2645)	
13	EEA4797	1	Housing top (cross levers) (without display)	XL 3K
14	EEA4798	1	Housing top (cross levers) (with display)	XL 3K LED
15	EEA4799	1	Housing top (linear levers) (without display)	XL 8L
16	EEA4800	1	Housing top (linear levers) (with display)	XL 8L LED
17	EZ2178	1	Pin	
18	EEA3848	1	Cap	
19	EEA3847	1	Plug	
20	EEA4801	1	Housing base (with display)	XL 3V PA1
20	EEA4802	1	Housing base (without display)	XL 3V PA2
21	EK1216	1	Seal	
22	EZ2179	1	Nut	
23	EEA3851	1	Contact	N/O

Portable control

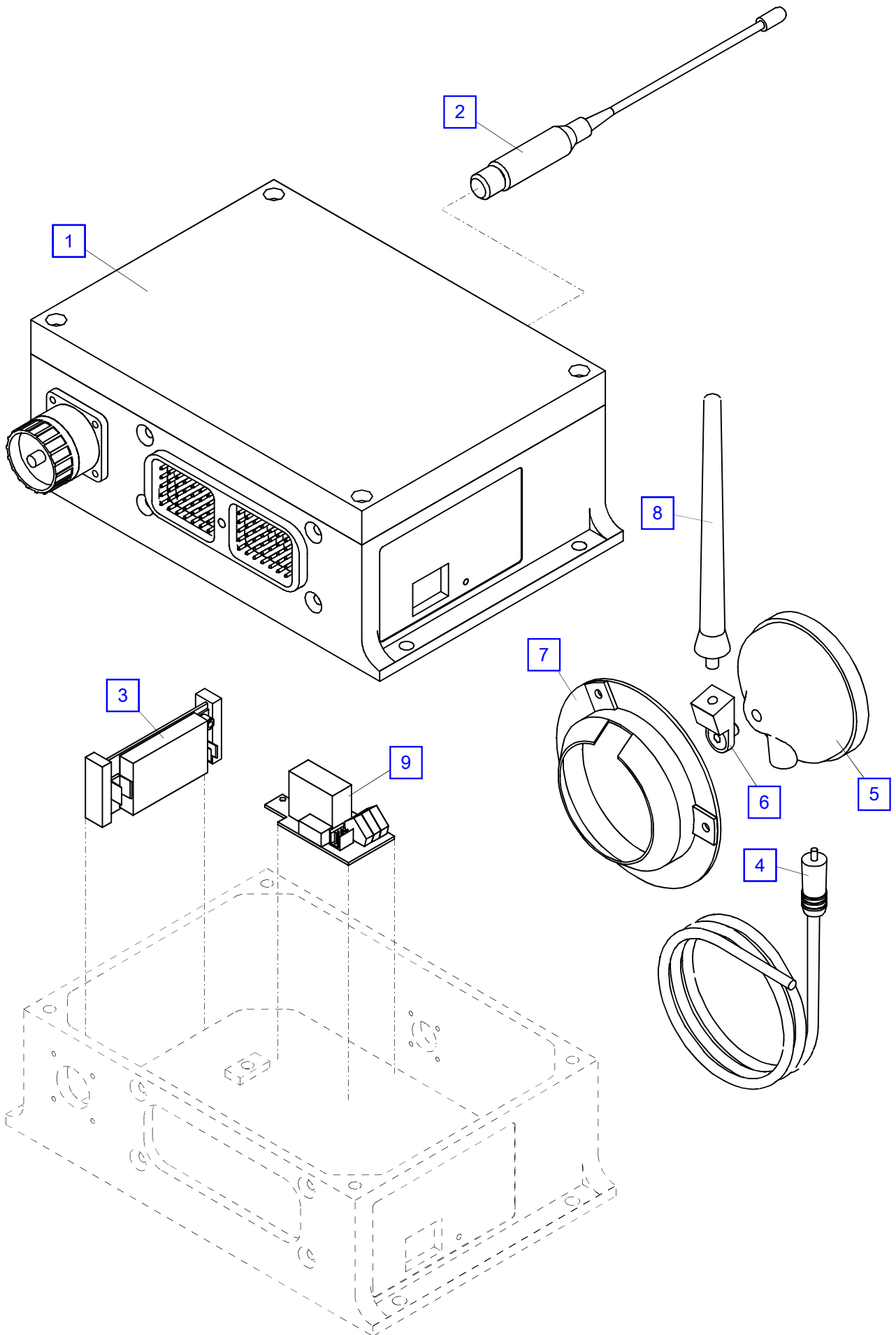
No.	Spare part	Qty.	Description	Dimension
24	EZ2181	1	Key (black)	
25	EEA4750	1	Key switch	

this page is intentionally left blank



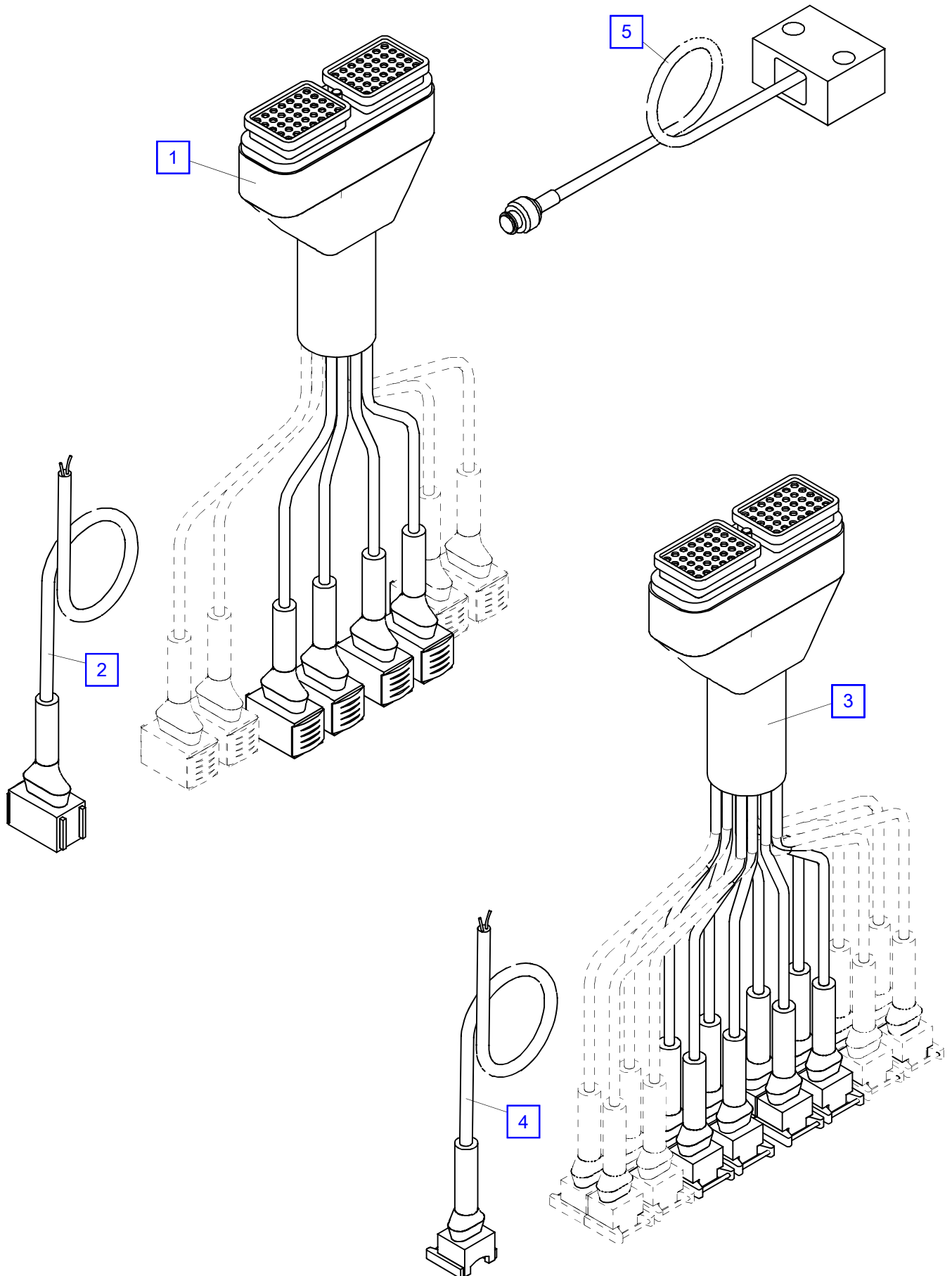
No.	Spare part	Qty.	Description	Dimension
1	EEA4758	1	Attachment board	
2	EEA4759	1	High frequency part (Europe frequenz)	CS434TRT-1
2	EEA4760	1	High frequency part (USA/CDN frequency)	CS458TRT-1
3	EEA3856	1	Buzzer	

Receiver



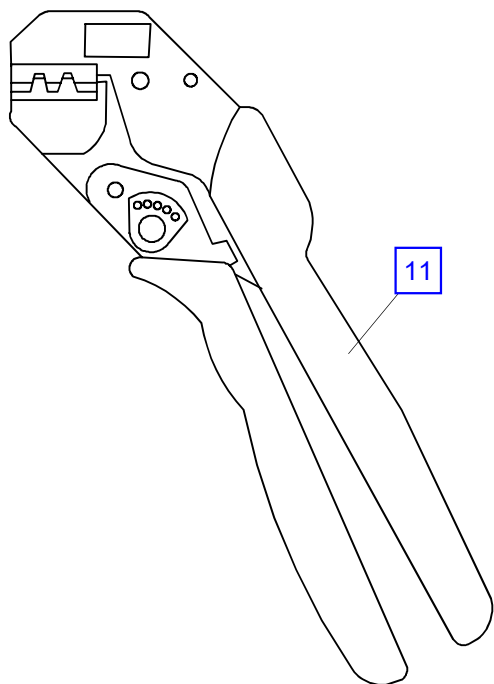
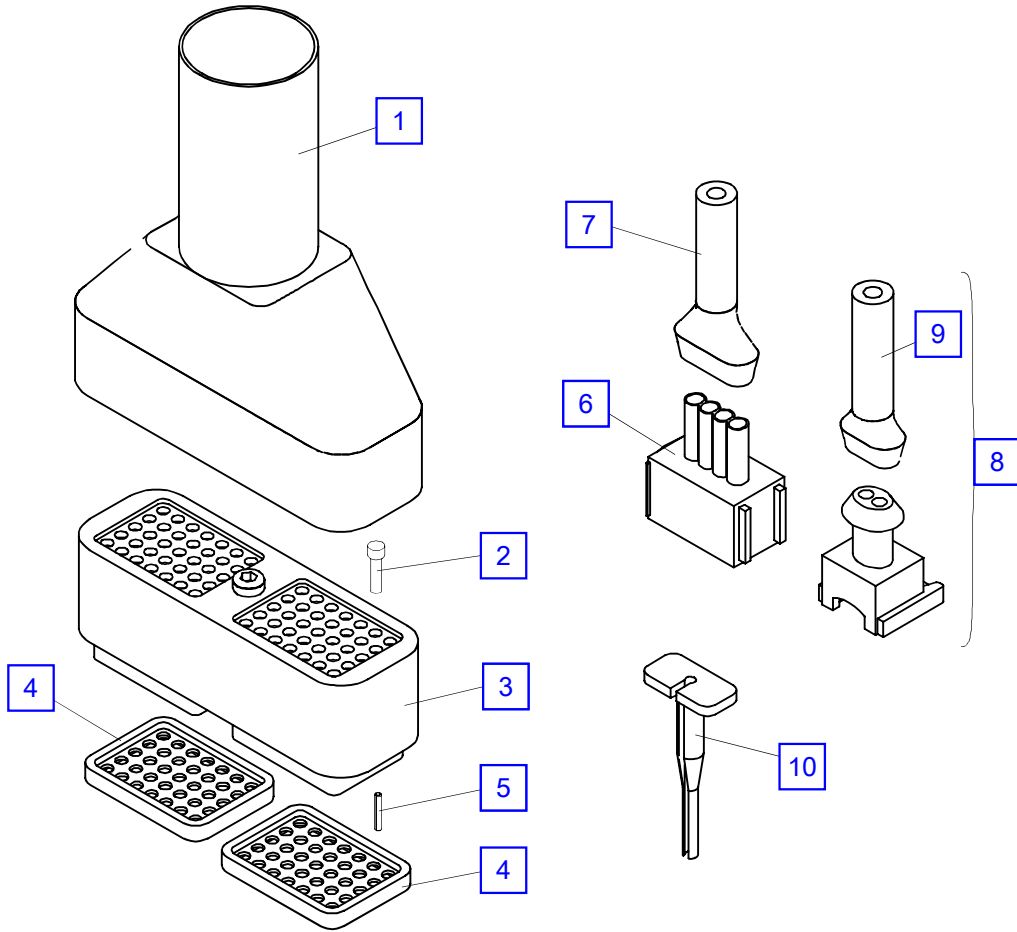
No.	Spare part	Qty.	Description	Dimension
1	EEA4572	1	Receiver EUROPA (Europe frequenz)	433 MHz PVG 7Prop
1	EEA4612	1	Receiver USA (USA/CAN frequency)	915 MHz PVG 7Prop
1	EEA4573	1	Receiver EUROPA (Europe frequenz)	433 MHz RSQ
1	EEA4613	1	Receiver USA (USA/CAN frequency)	915 MHz RSQ
2	EEA4651	1	Antenna	
3	EEA4761	1	High frequency part USA (Europe frequenz)	433 MHz
3	EEA4762	1	High frequency part USA (USA/CDN frequency)	915 MHz
4	EEA5098	1	Antenna cable	2.5 m
4	EEA5099	1	Antenna cable	5 m
4	EEA5100	1	Antenna cable	10 m
5	EEA5096	1	Bearer	
6	EEA5097	1	Adapter	
7	EEA5095	1	Bearer	
8	EEA5094	1	Antenna EUROPA (only EU)	433 MHz
8	EEA5093	1	Antenna USA (only USA)	915 MHz
9	EEA6164	1	Attachment board	

Plug

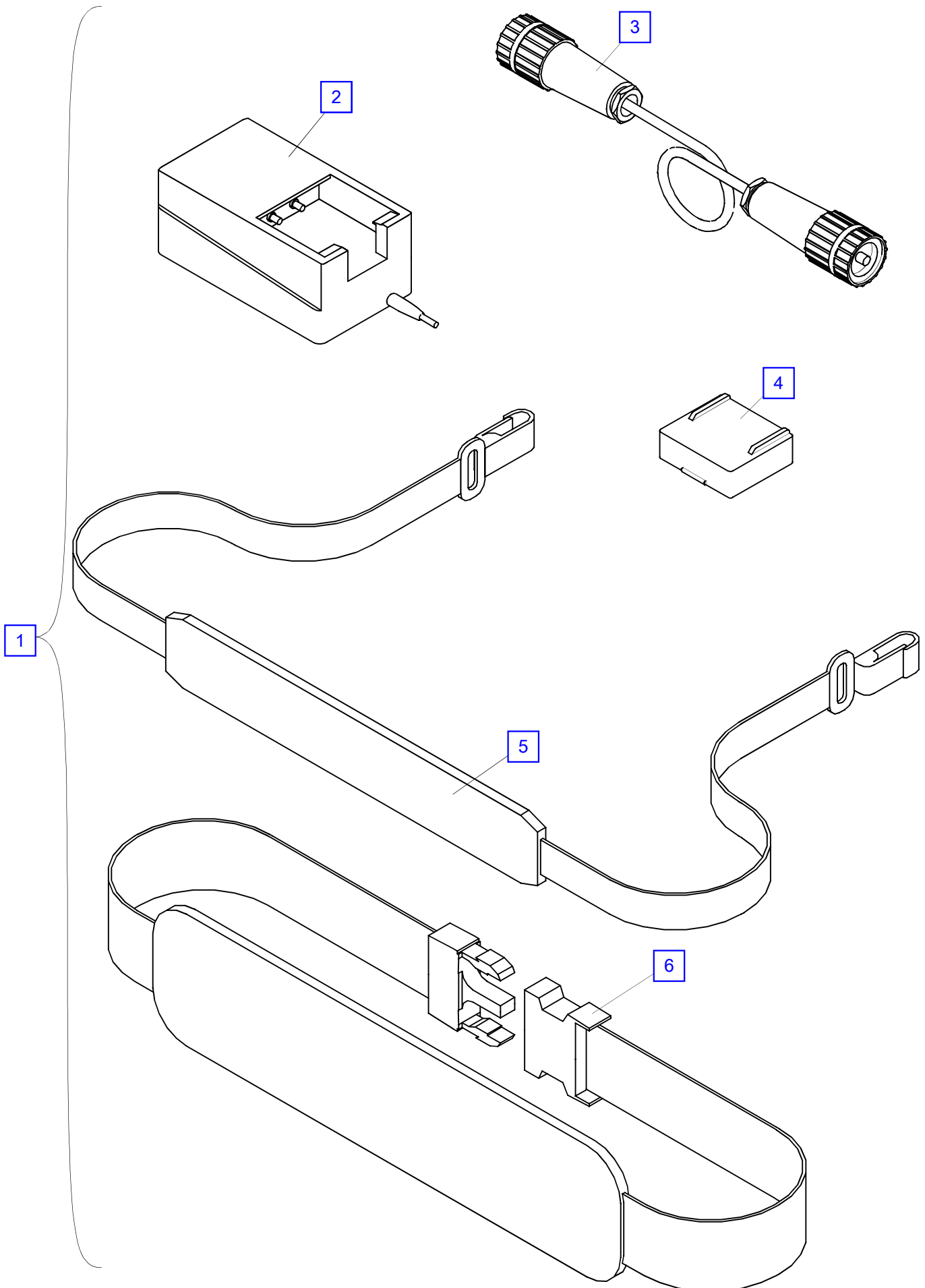


No.	Spare part	Qty.	Description	Dimension
1	EEA4202S	1	Cable harness (4-sections) (DANFOSS,AMP) (4-sections)	PVG
1	EEA4989	1	Cable harness (6-sections) (DANFOSS,AMP) (6-sections)	PVG
1	EEA4990	1	Plug,cpl. (DANFOSS,AMP) (8-sections)	
2	EEA4200	1	Cable harness, grey	l=2000
3	EEA4568	1	Cable harness (4-sections) (RSQ 240 RC) (4-sections)	RSQ
3	EEA4991	1	Plug,cpl. (RSQ 240 RC) (6-sections)	
3	EEA4992	1	Cable harness (8-sections) (RSQ 240 RC) (8-sections)	RSQ 2 m
4	EEA4201	1	Plug with cable (2-pole)	l=2000 mm
4	EEA5634	1	Plug with cable (2-pole)	l=2710 mm PWM
5	EEA4732	1	Antenna cable	2.5m
5	EEA4721	1	Antenna cable	5 m
5	EEA4733	1	Antenna cable	10m

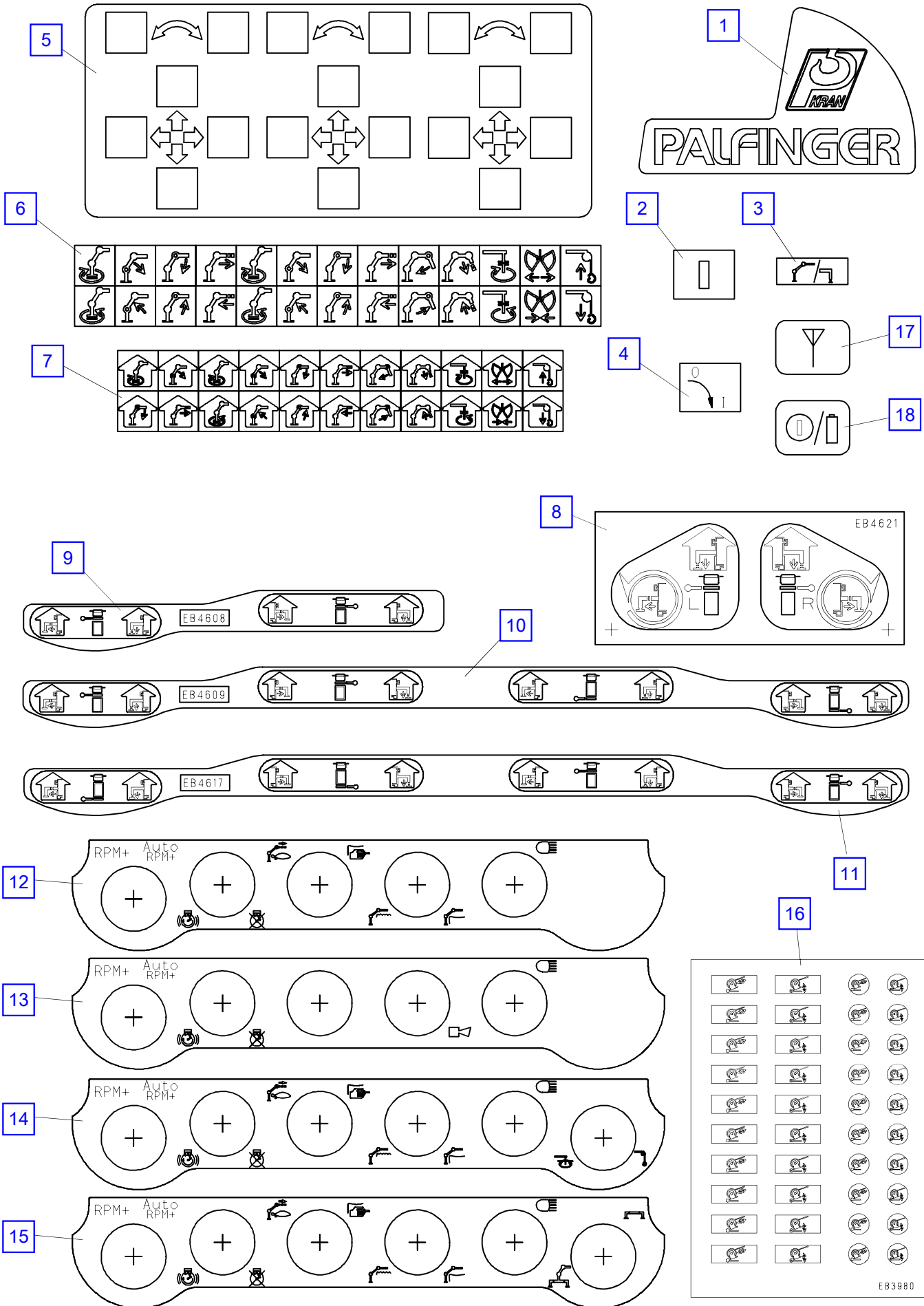
Plug



No.	Spare part	Qty.	Description	Dimension
1	EEA4169	1	Rubber cap	
2	EEA4423		Seal plug	
3	EEA4090	1	Plug (+4)	
4	EEA4424	2	Seal	
5	EEA4092	0	Contact	1-2.8 mm
5	EEA4093	0	Contact	0.5-1 mm
5	EEA4093		Contact	0.5-1 mm
6	EEA2608	1	Plug, grey	AMP
7	EZ1731	1	Rubber grummet	
8	EEA4425	1	Plug (2-pole) (+9)	
9	EEA4426	1	Rubber grummet	
10	EEA4411	1	Ejector	
11	EEA4412	1	Pliers	



No.	Spare part	Qty.	Description	Dimension
1	EZ2601	1	Accessories Set	
2	EEA3834	1	Charger	10-30VDC
2	EEA4744	1	Charger	90-270VAC EURO
2	EEA4745	1	Charger	90-270VAC UL
3	EEA4743	1	Control cables	l = 15m
4	EEA3835	1	Accu	
5	EZ2606	1	Neck belt	
6	EZ2605	1	Lap belt	



No.	Spare part	Qty.	Description	Dimension
1	EZ2607	1	Company decal	
2	EZ2609	1	Decal	
3	EK1214	1	Decal	
4	EZ2608	1	Decal	
5	EK1212	1	Decal	
6	EK1210	1	Decals	
7	EK1211	1	Decals	
8	EB4621	1	Symbol sign	
9	EB4608	1	Symbol sign	
10	EB4609	1	Symbol sign	
11	EB4617	1	Symbol sign	
12	EK1213	1	Decal	LED
13	EK1218	1	Decal	ohne LED
14	EK1219	1	Decal	8+1-Fach
15	EK1221	1	Decal	Kreuz Tandem
16	EB3980	1	Decal	
17	EB9717	1	Symbol sign	
18	EB9718	1	Symbol sign	

