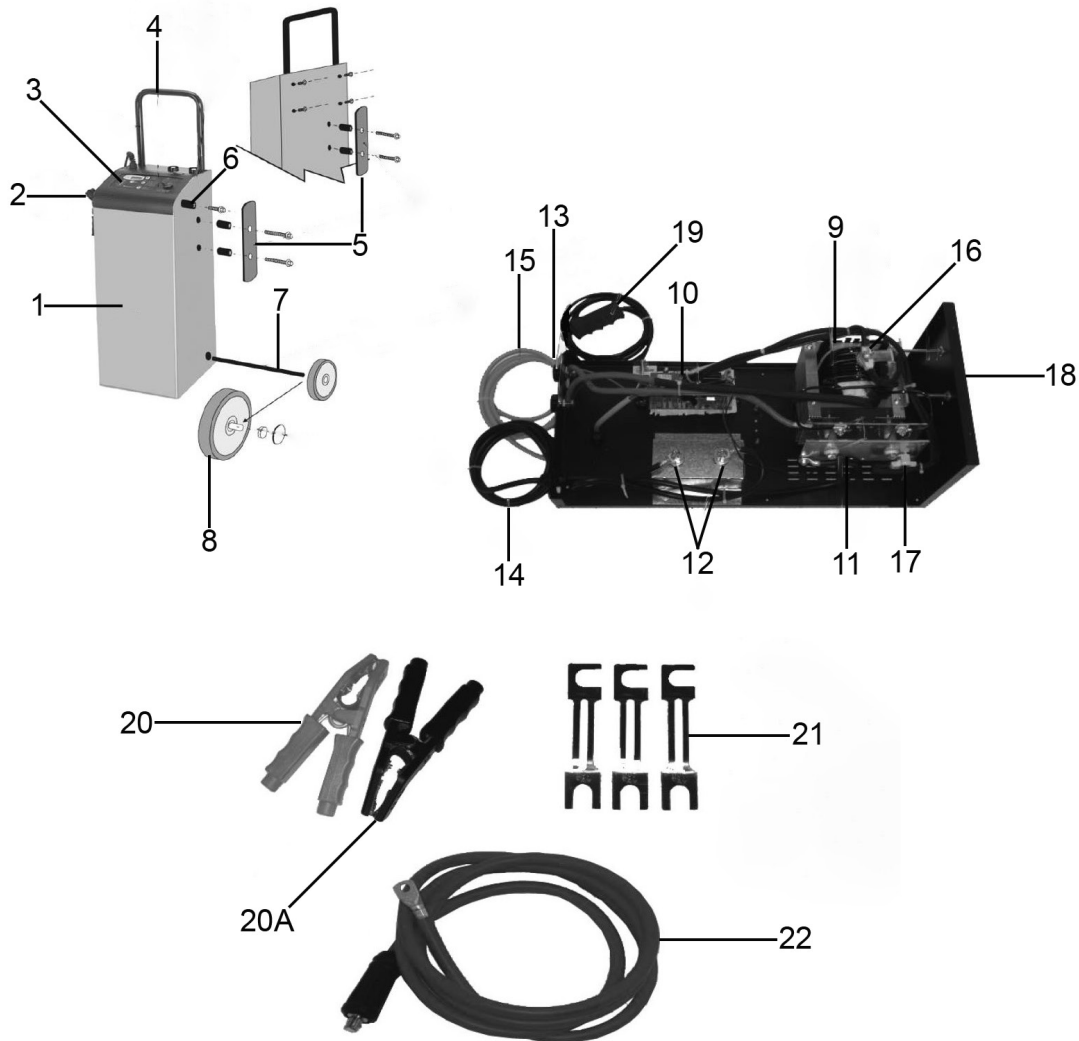




Parts Information:  
**Electronic Charger Starter 100/650A**  
**12/24V**  
**Model No: ECS650**



Item	Part No.	Description
1	ECS650.01	Front Panel
2	ECS650.02	Top Panel
3	ECS650.03	Display Panel
4	ECS650.04	Handle
5	ECS650.05	Cable Reel Kit
6	ECS650.06	Clamp Support Kit
7	ECS650.07	Wheel Axle
8	ECS650.08	Wheel, Fixed (Set Of 2)
9	ECS650.09	Transformer
10	ECS650.10	PCB
11	ECS650.11	Rectifier
12	ECS650.12	Fuse Support
13	ECS650.13	Power Outlet

Item	Part No.	Description
14	ECS650.14	Cable, Negative
15	ECS650.15	Mains Cable
16	ECS650.16	Thermostat 13A
17	ECS650.17	Thermostat 11A
18	ECS650.18	Base
19	ECS650.19	Remote Start Cable + Control
20	ECS650.20	Clamp, Positive
20A	ECS650.20A	Clamp, Negative
21	120/122452	Fuse
22	ECS650.22	Cable, Positive
--	ECS650.16B	Bracket For Thermostat (Not Shown)
--	ECS650.17B	Bracket For Thermostat (Not Shown)
--	120/802131	Fuse, Pack of 10 (Not Shown)

**NOTE:** It is our policy to continually improve products and as such we reserve the right to alter data, specifications and component parts without prior notice. There may be alternative versions of this product, please contact us should you require this information.

**IMPORTANT:** No liability is accepted for incorrect use of product. Spare parts must be fitted by a competent person

**WARRANTY:** Guarantee is 12 months from purchase date, proof of which will be required for any claim.

**Sealey Group**, Kempson Way, Suffolk Business Park, Bury St Edmunds, Suffolk. IP32 7AR



01284 757500



01284 703534



sales@sealey.co.uk



www.sealey.co.uk