



E-PARTS



# The industry's BEST motors!



## Universal Tarp Motors

- ✓ **5 mounting holes**  
Fits all competitor's mounting plates
- ✓ **Extended output shaft**  
Features 2 roller bar attachment holes to fit any brand tarp system



All motors come with 3 year warranty!

- ✓ 100% sealed motor and gear casting
- ✓ Solid cast end bell
- ✓ 100% quality control tested
- ✓ Replaces all competitors motors
- ✓ Fits all competitors front-to-rear systems

Two voltage options available:

- ✓ Part 1801965—24VDC 900W
- ✓ Part 1802061—12VDC 600W



# DURABUILT

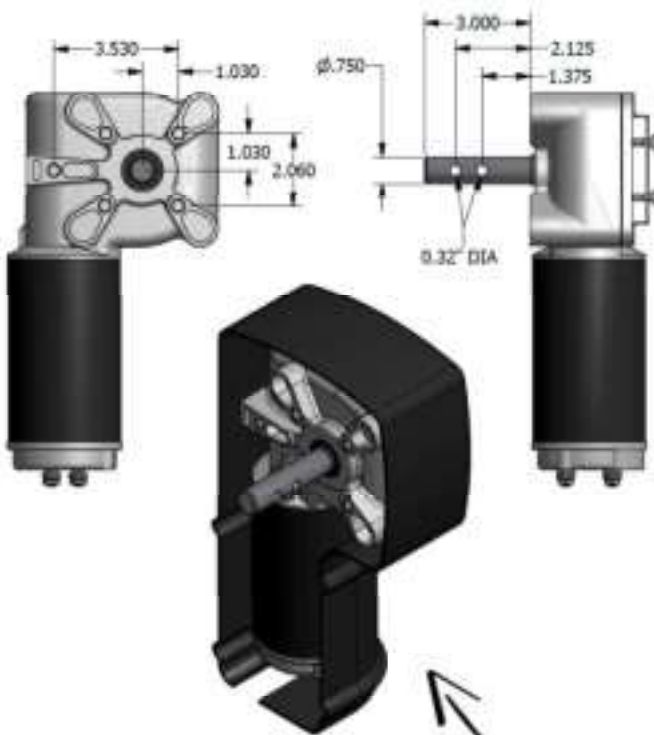
DIRECT DRIVE MOTORS

THOMPSONS



## E-PARTS

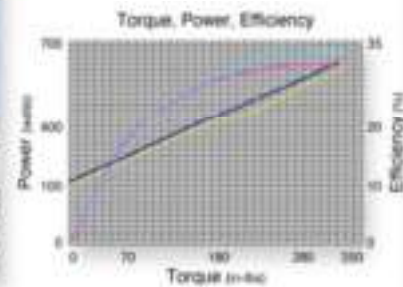
### Durabuilt 24VDC 1802061 (#2222)



- ✗ 24VDC— 900W Heavy Duty Motor
- ✗ No load speed 57rpm
- ✗ Stall torque 137 lbf\*ft
- ✗ Max stall current 175A
- ✗ Extended output shaft
- ✗ 2 roller bar attachment holes
- ✗ For covering systems up to 53'
- ✗ 90:1 Gear Ratio provides extra torque
- ✗ **3 years warranty**

Also available as 12VDC—600W  
(Part number 1802061)

All motors come with motor cover for added protection



### 100% Quality Control Tested

#### Testing parameters

- **Input power**
  - Supply voltage
  - Current
- **Output power**
  - Drive shaft speed (RPM)
  - Torque
- **Durability**
  - Cyclic testing
  - Field testing

#### Guaranteed Quality and Value

High-precision test equipment is used to characterize all motors, including competitor motors, at real work-load conditions. Data is automatically recorded and charted for quality control and brand comparison.

Characterization testing is followed immediately by life-cycle stand testing and field testing.

After that, motors are disassembled and inspected to ensure Donovan always provides the best motor at the best price.