



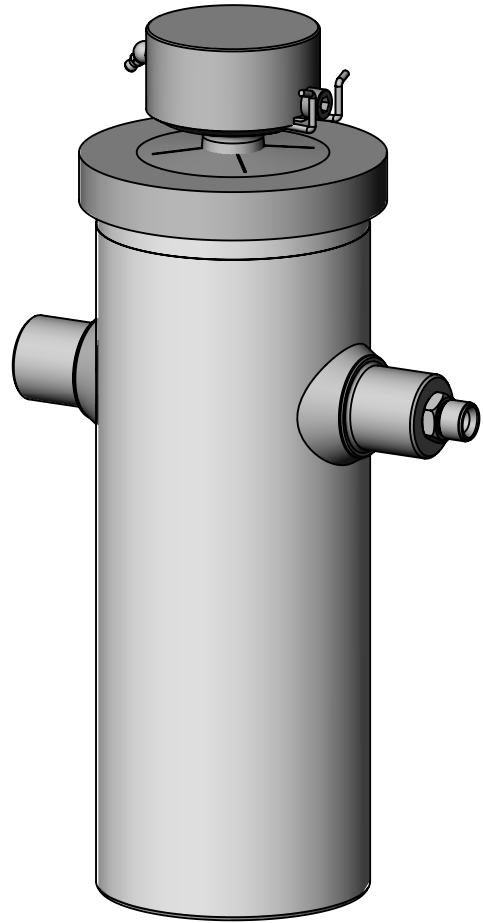
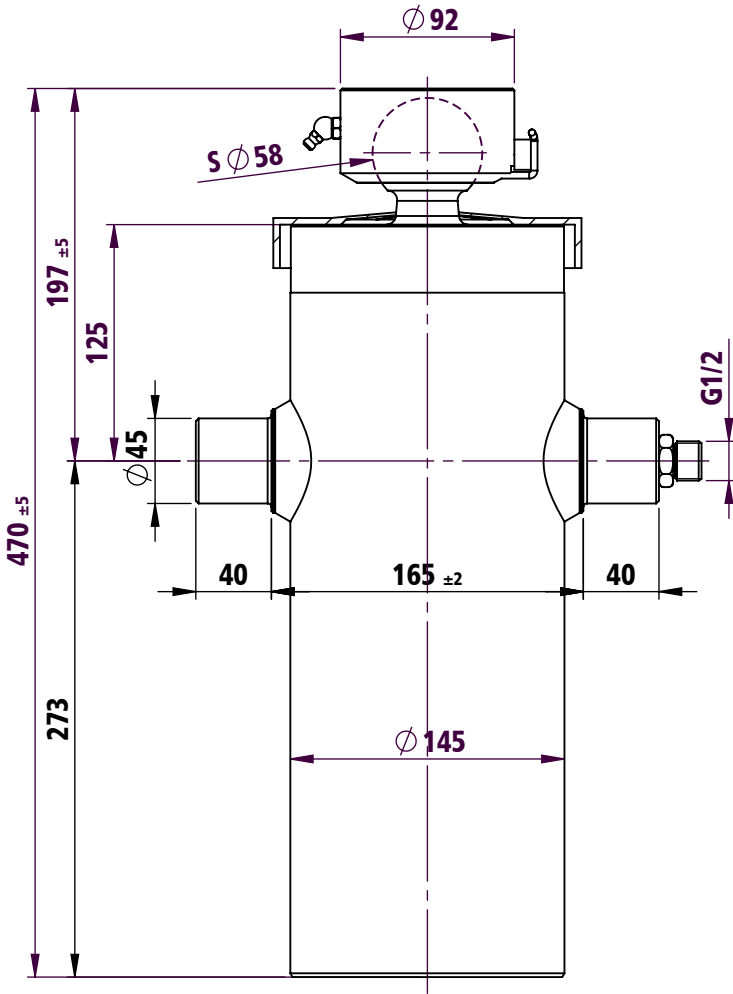
Light duty, ball - pins

Part Number

3103601205002

Tipping weight

9-17 ton



mounting dimension		197 mm + 20 mm min pull out					total stroke		1435 mm		max pressure		200 bar	
model: BL360 1435 120 5 CRL			code: 3103601205002			weight: 44 kg			HS Penta					
extension	1	2	3	4	5	-	-	-	-	-	-	number of stages: 5		
diameter [mm]	120	105	90	75	60	--	--	--	--	--	--			
stroke [mm]	293	293	280	283	286	--	--	--	--	--	--	total: 1435 mm		
thrust [kN]	226	173	127	88	57	--	--	--	--	--	--	max thrust admitted: 90 kN		
oil [dm ³]	3.3	2.5	1.8	1.3	0.8	--	--	--	--	--	--	total: 9.7 dm ³		

TECHNICAL NOTES AND SPECIFICATIONS

- The normal application of telescopic cylinder is to lift up tipping bodies, loaded with different materials, and consequently discharge this material whilst the cylinder is extended all along its stroke.
- The body weight plus the max payload are the max tipping weight that can be raised by the cylinder. This value, calculated at the max pressure, is a rough indication of the tipping power of the cylinder and must be used as a first criteria for the selection of the cylinder. The real tipping mass can only be calculated by the design engineer of the dump truck, and must take into account the geometry of the dump body and operating conditions. Never exceed the maximum thrust.
- Never exceed maximum pressure.
- The cylinder has been designed for loads along the longitudinal axis: the cylinder is a lifting device only and may not be used as structural member or be subject to side load.
- Chrome coating type CRL (40 h corrosion test ISO 9227-rating 9 ISO 10289/minimum thickness: 15 µm) on telescopic stages.
- H.S.PENTA warranty does not apply to any kind of corrosion of coated or non-coated parts. See terms of warranty.
- Maximum extension speed less than 0.2 m/s.
- Hydraulic oil temperature admitted between -40°C and +100°C.
- In case the cylinders must be stored, do not remove the package. Store them in a dry place, not exposed to rain. Do not store the cylinders for more than 6 (six) months.
- Further specifications see mounting instructions, hydraulic oil specification sheet, user & maintenance manual.

REMARKS

[2012.02.16] [2012.02.16]

Old code: BL08558C (Codice vecchio: BL08558C)

REVISIONS

.	01
	02
	03
	04