



Cod. 139#. \emptyset .stroke.01

3D VIEW



VISTA 3D DINAMICA



2D VIEW

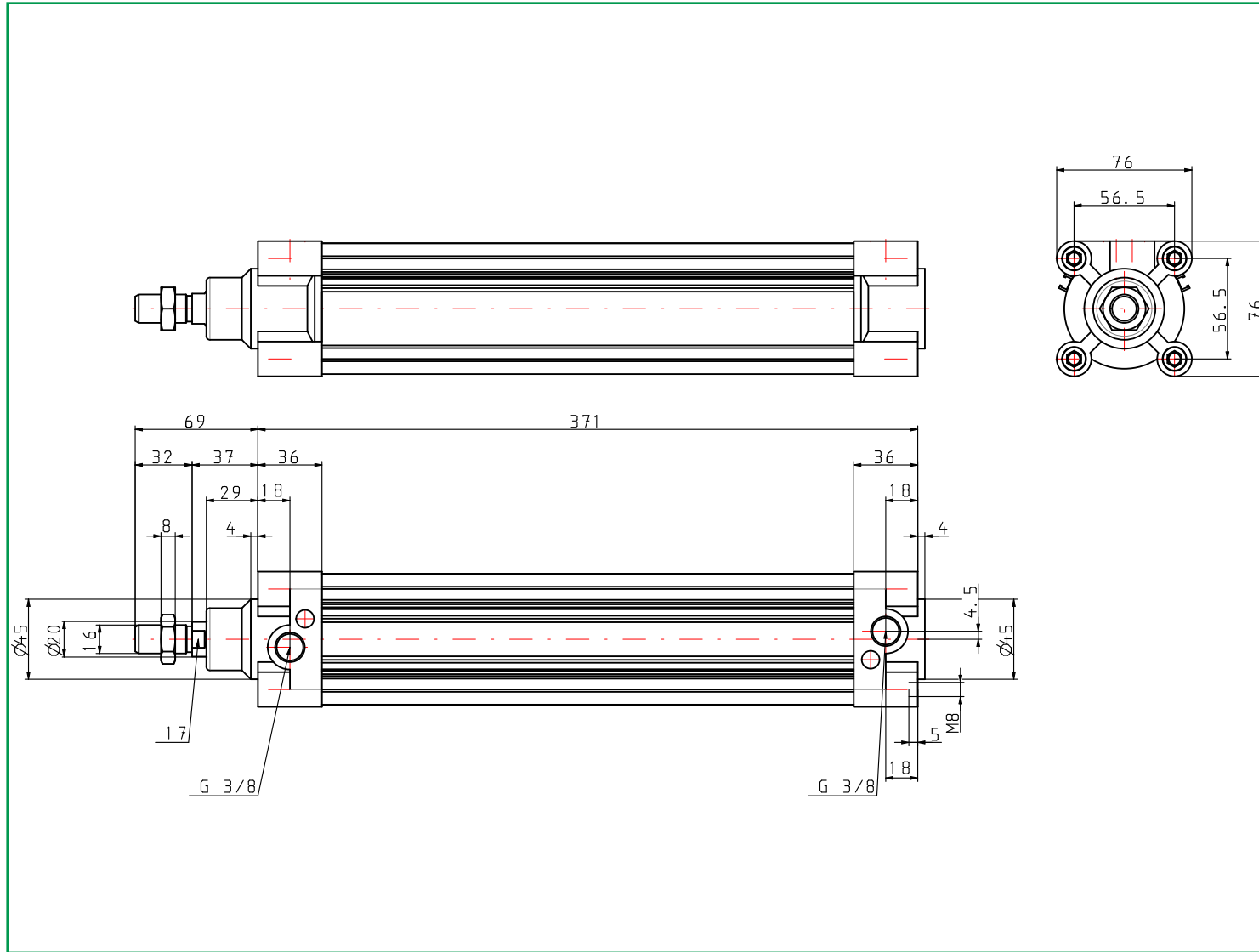




TABELLA BOM:

N°	Description	Amount
1	1391.63.250.01	1
1.1	1320.63.18F	1

DETTAGLI TECNICI:

The technical drawing includes a main side view of the cylinder with dimensions: AM, WG, WH, L2, PL, G, L3, VA, KV, SW, MM, KK, VD, EE, PM, RT, DM, and ØB. It also shows two detail callouts, 'Det.A', for the rod end seal (Ø32±0.063) and the head end seal (Ø80±0.100). A top view shows dimensions: TG, E, and VB.

Bore	AM	B(d11)	BG	E	EE	G	KK	KV	KW	L2	L3	LB	MM	PL	PM	RT	SW	TG	VA	VB	VD	VF	VG	WH
32	22	30	16	47	G 1/8"	29.5	M10x1.25	17	6	19	4	94	12	13	3	M6	10	32.5	4	33	4	12	48	26
40	24	35	16	54	G 1/4"	33	M12x1.25	19	7	22	4	105	16	16	4	M6	13	38	4	41	4	12	54	30
50	32	40	18	65	G 1/4"	32	M16x1.5	24	8	29	5	106	18	18	5	M8	17	46.5	4	51	4	16	69	37
63	32	45	18	76	G 3/8"	36	M16x1.5	24	8	29	5	121	18	18	4.5	M8	17	56.5	4	51	4	16	69	37
80	40	45	16	95	G 3/8"	38.5	M20x1.5	30	9	35	/	128	16	16	2.5	M10	22	72	4	65	4	20	86	46
100	40	55	16	113	G 1/2"	41.5	M20x1.5	30	9	36	/	138	18	18	8	M10	22	89	4	71	4	20	91	51
125	54	60	21	138	G 1/2"	45	M27x2	41	12	45	/	160	25	25	8	M12	27	110	6	75	6	25	119	65
160	72	65	25	180	G 3/4"	49	M36x2	55	18	50	/	180	28	16	11	M16	36	140	6	70	6	30	152	80
200	72	75	25	216	G 3/4"	49	M36x2	55	18	60	/	180	25	25	11	M16	36	175	6	75	6	30	167	95