

* incl. 20 [-5; +30] mm pull out

3D model is available on request or www.hyva.com

| Specifications | Max. pump flow | | Tipping time | | |
|---|----------------|-------------------------------------|--------------|-------------------------------------|--------|
| Max. working pressure | 250 bar | With KO ¹ | 151 L/min | With KO ¹ | 19 sec |
| Weight | 230 kg | Without KO ¹ | 106 L/min | Without KO ¹ | 27 sec |
| Working volume | 48 L | With KO ¹ below -20°C | 106 L/min | With KO ¹ below -20°C | 27 sec |
| Total volume | 52 L | Without KO ¹ below -20°C | 74 L/min | Without KO ¹ below -20°C | 39 sec |
| Max. cyl. load (start tipping) | 220 kN | | | Allowable lowering time | 19 sec |
| Max. cyl. load (end of stroke) ² | 142 kN | | | | |
| Max. cyl. load (end of stroke) ³ | 165 kN | | | | |

Technical notes

- This cylinder is a lifting device only.
- It should not be used as a structural member and should not be subjected to side loads.
- Tipping valve must have a pressure relief at the cylinder port set not higher than max. working pressure.
- Verify max. cyl. load.
- Working temperature range is between -40°C and +80°C.
- Max. duration of extension is 0.5 hours (excluded hard chromed stages).
- Cylinder is painted black (RAL9005) with a min. thickness conforming to the 480 hours neutral salt spray test as per ISO 9227.
- ¹ Hyva knock-off.
- ² Unsubstantial unloading (sticky load).
- ³ Substantial unloading.

Related documentation

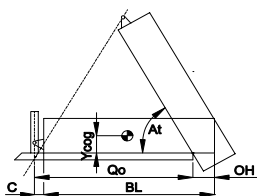
- Bracket options: 015BRA10 & 015BRA12
- Mounting instructions: CYL-0030
- Oil specifications: OIL-0011
- Spec sheet explanation: CYL-0041

Configuration

| Extension | 1 | 2 | 3 | 4 | 5 | 6 | 7 | Total |
|-------------------------|------|------|------|------|---|---|---|-------|
| Effective diameter [mm] | 137 | 118 | 99 | 80 | | | | 4980 |
| Stroke* [mm] | 1230 | 1250 | 1250 | 1250 | | | | |

Tipping weight

For detailed tipping calculations please refer to: <https://tipper.hyva.com>

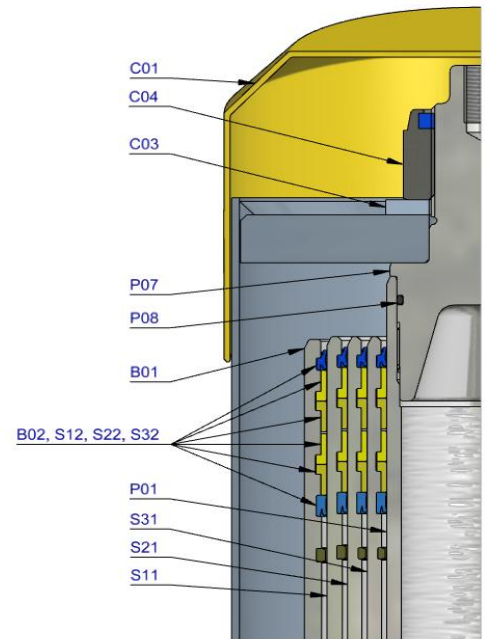


- BL body length
- OH rear overhang
- Ycog vert. pos. centre of gravity
- Qo pivot length
- C bracket length
- At tipping angle

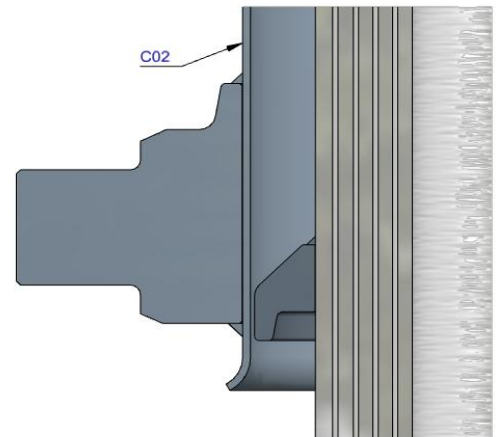
| BL [mm] | 6600 | 800 | 6300 | 800 | 6000 | 800 | | |
|-----------|------|-----|------|-----|------|-----|-----|-----|
| OH [mm] | 500 | 800 | 500 | 800 | 500 | 800 | 200 | 500 |
| At [°] | 44 | 47 | 47 | 49 | 49 | 52 | 49 | 52 |
| Ycog [mm] | 600 | 39 | 44 | 37 | 41 | 47 | 38 | 43 |
| | 900 | 43 | 49 | 40 | 45 | 53 | 42 | 49 |
| | 1200 | 41 | 47 | 44 | 51 | 47 | 47 | 50 |

Tipping weight [ton] at maximum pressure of 250 bar for a vertically mounted cylinder and C is 229 mm

| Pos. | Part no. | Description | Qty. |
|------|-----------|-------------------------------|------|
| C01 | 71839040 | DUST COVER FC LOW 15-244 | 1 |
| C02 | 71706481 | COVER 242-1245 PIN60 A340 FIX | 1 |
| C03 | 01702956K | WASHER M48 DIN 125B ZP | 1 |
| C04 | 01702907K | TOPNUT NYLOC M48x3 DIN 985 ZP | 1 |
| P01 | 70432443 | PISTON MN3 S 080-1445-HC | 1 |
| P02 | 70209300K | SLIDER MN 080 (2 x 1/2) A22 | 1 |
| P03 | 70216080K | OUTER STOPRING MN 080 A22 | 1 |
| P04 | 70224080 | BOTTOM PLATE PISTON MN 080 | 1 |
| P05 | 01745035K | CIRCLIP 70 DIN 472 (74.5x2.5) | 1 |
| P06 | 70260210K | O-RING PISTON BOTTOM 080 | 1 |
| P07 | 70232305 | PISTON HEAD MN3 080 | 1 |
| P08 | 70260110K | O-RING 63.09 X 3.53 MM | 1 |

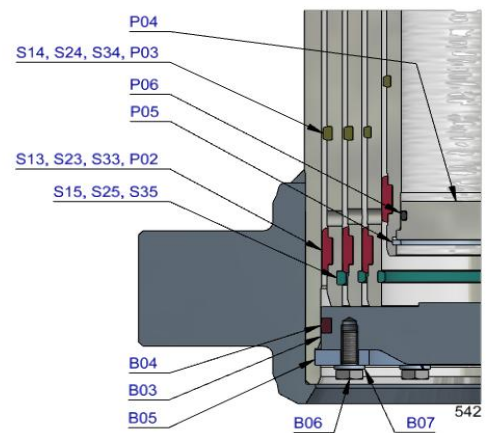


| | | | |
|-----|-----------|-----------------------------|---|
| S31 | 70663440 | STAGE MN2 099-1440 | 1 |
| S32 | 70203099K | PACKSET MN 099 | 1 |
| S33 | 70209310K | SLIDER MN 099 (2 x 1/2) A22 | 1 |
| S34 | 70216099K | OUTER STOPRING MN 099 A22 | 1 |
| S35 | 70217099K | LIFTRING MN 099 A22 | 1 |



| | | | |
|-----|-----------|-----------------------------|---|
| S21 | 70664440 | STAGE MN2 118-1440 | 1 |
| S22 | 70203118K | PACKSET MN 118 | 1 |
| S23 | 70209320K | SLIDER MN 118 (2 x 1/2) A22 | 1 |
| S24 | 70216118K | OUTER STOPRING MN 118 A22 | 1 |
| S25 | 70217118K | LIFTRING MN 118 A22 | 1 |

| | | | |
|-----|-----------|---------------------------|---|
| S11 | 70665440 | STAGE MN2 137-1440 | 1 |
| S12 | 70203137K | PACKSET MN 137 | 1 |
| S13 | 70207137K | SLIDER MN 137 A35 | 1 |
| S14 | 70216137K | OUTER STOPRING MN 137 A22 | 1 |
| S15 | 70217137K | LIFTRING MN 137 A22 | 1 |



| | | | |
|-----|---------------|------------------------------------|---|
| B01 | 70366440R1145 | BASE MN2 157-1479-4/4BSAE-190-C242 | 1 |
| B02 | 70203157K | PACKSET MN 157 | 1 |
| B03 | 70225355 | BOTTOM PLATE MN2 157 | 1 |
| B04 | 70270157K | SEAL BOTTOM PLATE MN 157 | 1 |
| B05 | 70220157 | LOCKING PLATE MN 157 | 3 |
| B06 | 01732055K | BOLT HEX M8X20X1.25 SET 6 PCS | 1 |
| B07 | 01732559K | WASHER SPRING M8 SET 6 PCS | 1 |

Seal kit complete

| | |
|-----------|--|
| 71907540K | Consists of all packsets with packset grease and O-rings |
|-----------|--|

Notes

The inner stopring and piston bottom are pre-mounted on spare bases, stage and pistons. Therefore, when ordering new tubes, it is not required to order these parts separately.

For repair instructions see: CYL-0040. Serial no. is located on type plate and near type plate support.