

# TELESCOPIC CYLINDER

TYPE : AE

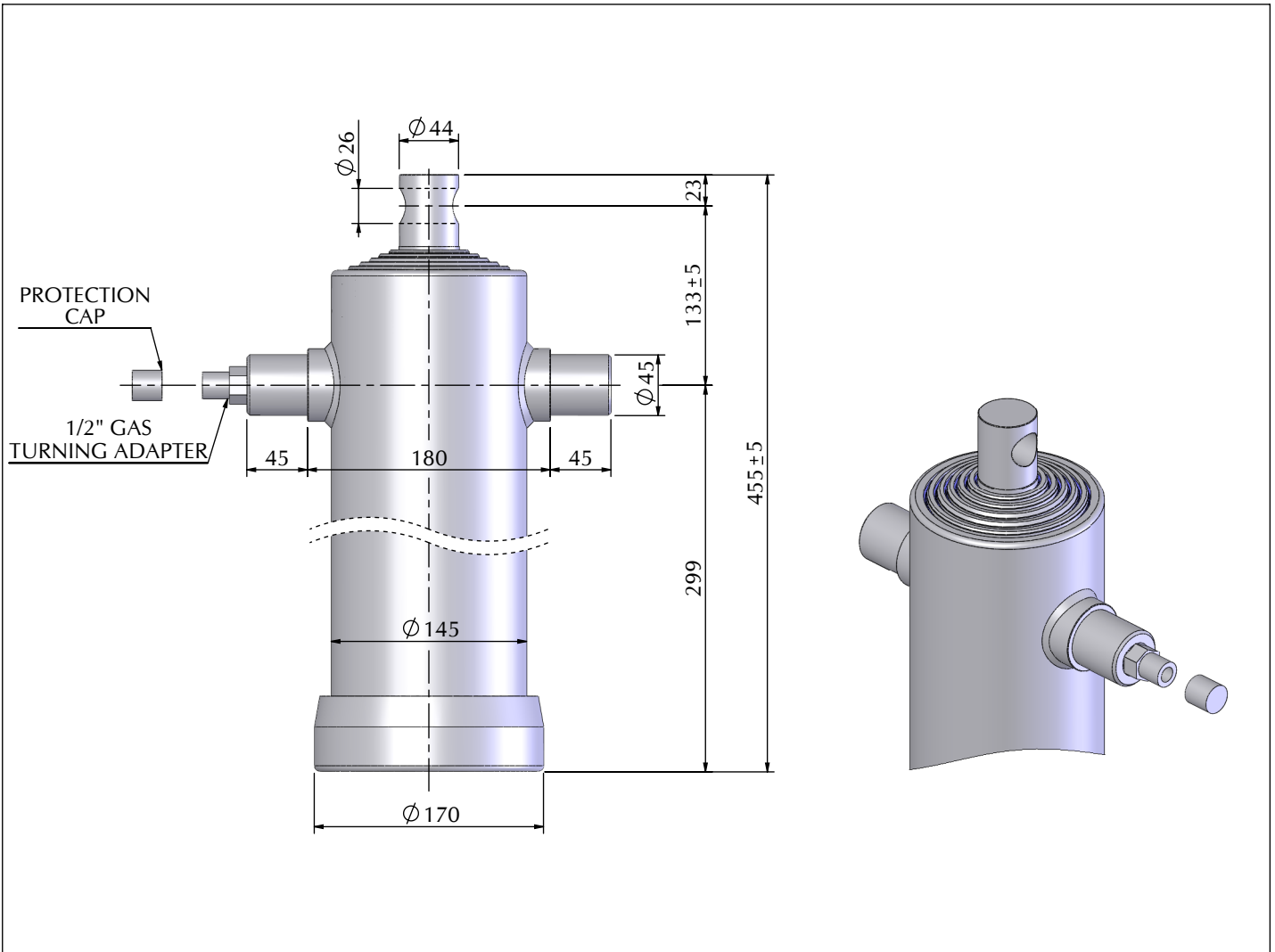
SERIE : Ø145/6

CYL. TYPE

**AE 6/1800/145 - D=133**

For Tipping Weight See Advices Below

## Technical Characteristics



### Cylinder stages

Ø Stage	Ø032	Ø045	Ø060	Ø075	Ø090	Ø105	Ø120	Ø140	Ø160						
Thrust at 150 Bar [Tons]	---	2.40	4.20	6.60	9.50	13.00	17.00	---	---						
Stages of cylinder		●	●	●	●	●	●								

### Specifications

Stages number	06
Cylinder Stroke [ mm ]	1800
Cylinder weight only [ kgs ]	43.90
Working volume [ Ltrs ]	11.80
Max Working pressure [ Bar ]	180

### Brackets and Accessories

Closed brackets [ 2 Units per cylinder ]	<b>SC#ESSIN</b>	1.00 [Kgs] x 2=
Open brackets [ 2 Units per cylinder ]	<b>SSA#E</b>	0.80 [Kgs] x 2=
Cradle Type	<b>CU#EB</b>	12.90 [Kgs] x 1=

### Technical Information

<input type="checkbox"/> Oil	: See oil specification sheet
<input type="checkbox"/> Tipping weight	: Net weight + Payload

### Recommendation

<input type="checkbox"/> This Mariz cylinder is designed as a lifting device only
<input type="checkbox"/> It must not be used as a structural member or be subject to side loads
<input type="checkbox"/> Pump flow in consultation with Mariz engineering department

### Advices

All our cylinders are manufactured to suit the particular application in the differing world markets/climate. Should you require details of the exact lifting capacity of the cylinder that has been selected for your application/veichle then please contact our technical department who will be only pleased to explain or advise.

## MARIZ SRL

MARIZ IS CONSTANTLY ENGAGED IN IMPROVING ITS PRODUCTS AND THEREFORE RESERVES THE RIGHT TO MODIFY WITHOUT ANY NOTICE CHARACTERISTICS SHOWN  
Viale dell'Industria, 32 • I-35014 FONTANIVA (PD) ITALY • Tel. +39 049 5942402 Fax +39 049 5942212 • www.mariz.com • info@mariz.com

Edit.: 01 • 2015

Rev.: 00 • 2015

Date: 18/03/2015

Pag.: AE 6.1800.145\_01