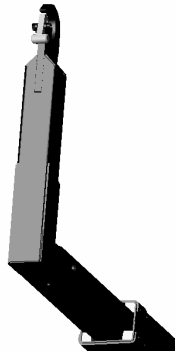


HYVALIFT



HOOKLOADER

HYVALIFT 06-S

Spare parts catalogue

Factory address : TECHNAMICS B.V.
Zeppelinstraat 21, 7903 BR Hoogeveen

tel. : 00 31 - 528 - 22 98 50
fax : 00 31 - 528 - 26 62 11

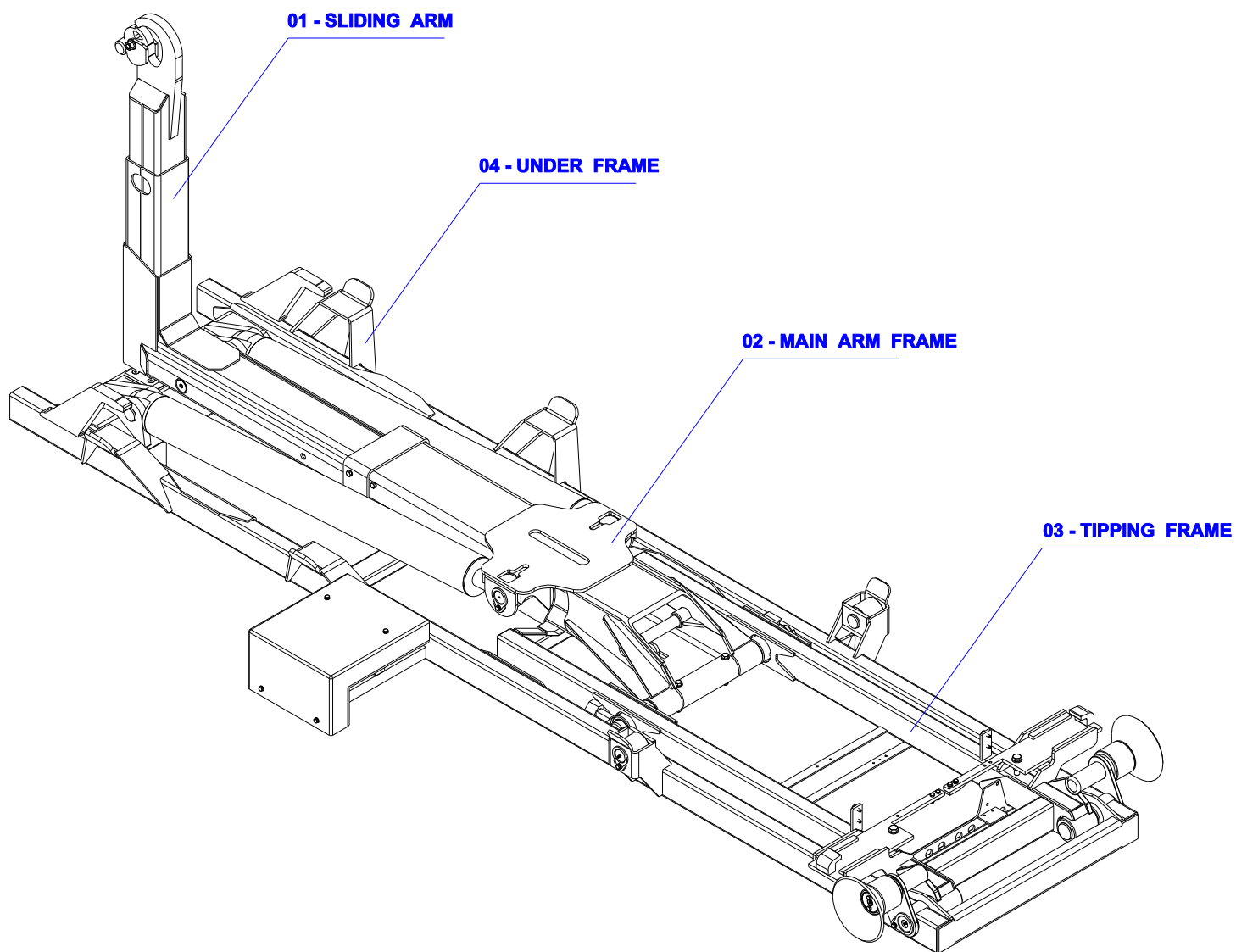
All rights are legally reserved by TECHNAMICS B.V.
All changes due to technical development of the product are reserved.

CTS 06-S - TABLE OF CONTENTS :

Overall view	3
Notes	4
01 - Sliding Arm 06-S II. DIN/C.H.E.M./CTS/POL	5 – 6
02 - Main arm Frame 06-S IV. DIN/C.H.E.M./CTS/POL	7 – 10
03 - Tipping Frame 06-S IV. C.H.E.M. Mechanical lock	11 – 12
04 - Tipping Frame 06-S IV. CTS C3/DIN Mechanical lock + electrical stop	13 – 14
05 - Tipping Frame 06-S IV. POL	15 – 16
06 - Tipping Frame 06-S IV. Outside/Inside locking container II.	17 – 20
07 - Tipping Frame 06-S Inside locking container II. : version G II.- width 1060/1100	21 – 24
08 - Under Frame 06-S IV. DIN/C.H.E.M./CTS	25 – 26
09 - Under Frame 06-S T 10	27 – 28
10 - Under Frame 06-S IV. POL	29 – 30
11 - Under Frame 06-33-S IV. : version G II.- width 1060/1100	31 – 32
12 - Hydraulic Loop – Standard	33 – 36
13 - Hydraulic Loop – Outside/Inside locking container II.	37 – 38

14 - Hydraulic Loop – Bucher HDM 11S/3 – Inside locking container II. : version G II.- width 1060/1100	39 – 40
15 - Hydraulic Loop – Bucher HDM 11S/3 – Hydraulic oil tank	41 – 46
16 - Hydraulic Loop – Hydrocontrol HC-NVD 2 – Hydraulic oil tank	47 – 52
17 - Hydraulic Loop – quick connect couplings C	53 – 56
18 - Hydraulic schema – Standard	57 – 58
19 - Hydraulic schema – Outside/Inside locking container II.	59 – 62
20 - Hydraulic schema – Inside locking container II. : version G II.- width 1060/1100	63 – 64
21 - Pneumatic loop – Standard	65 – 66
22 - Pneumatic loop – Blocking containers CTS/DIN	67 – 70
23 - Pneumatic loop – Outside/Inside locking container II.	71 – 72
24 - Pneumatic schema – Standard	73 – 74
25 - Pneumatic schema – Blocking containers CTS C3/DIN	75 – 76
26 - Pneumatic schema – Outside/Inside locking container II.	77 – 78
27 - Electric loop – 2 section	79 – 80
28 - Electric loop – 3 section	81 – 82
29 - Electric schema – Blocking containers CTS C3/DIN	83 – 84
30 - Electric schema – Blocking containers CTS C2-38 + CTS C3	85 – 86
31 - Electric schema – Outside/Inside locking container II.	87 – 88

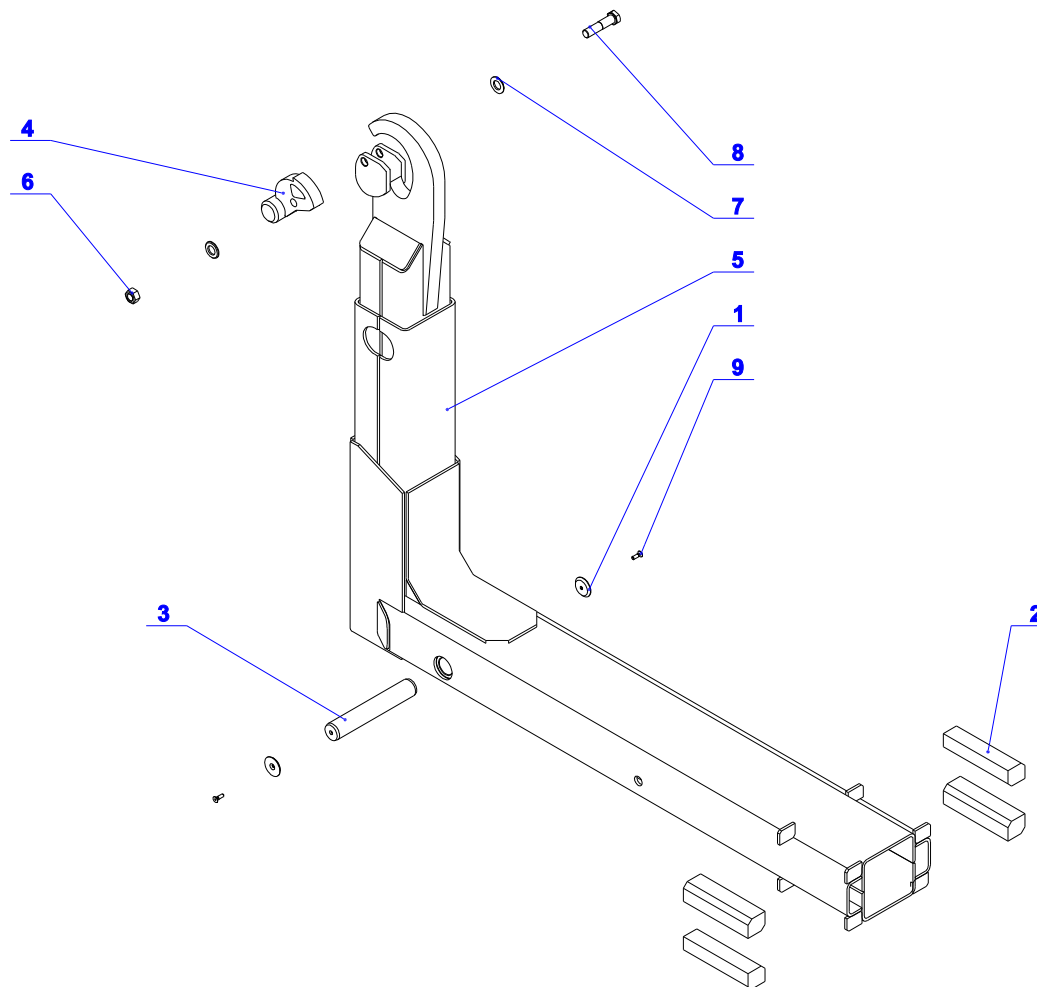
This Spare Parts Catalogue is valid for hookloaders made in 2008 and newer.

OVERALL VIEW :

Notes :



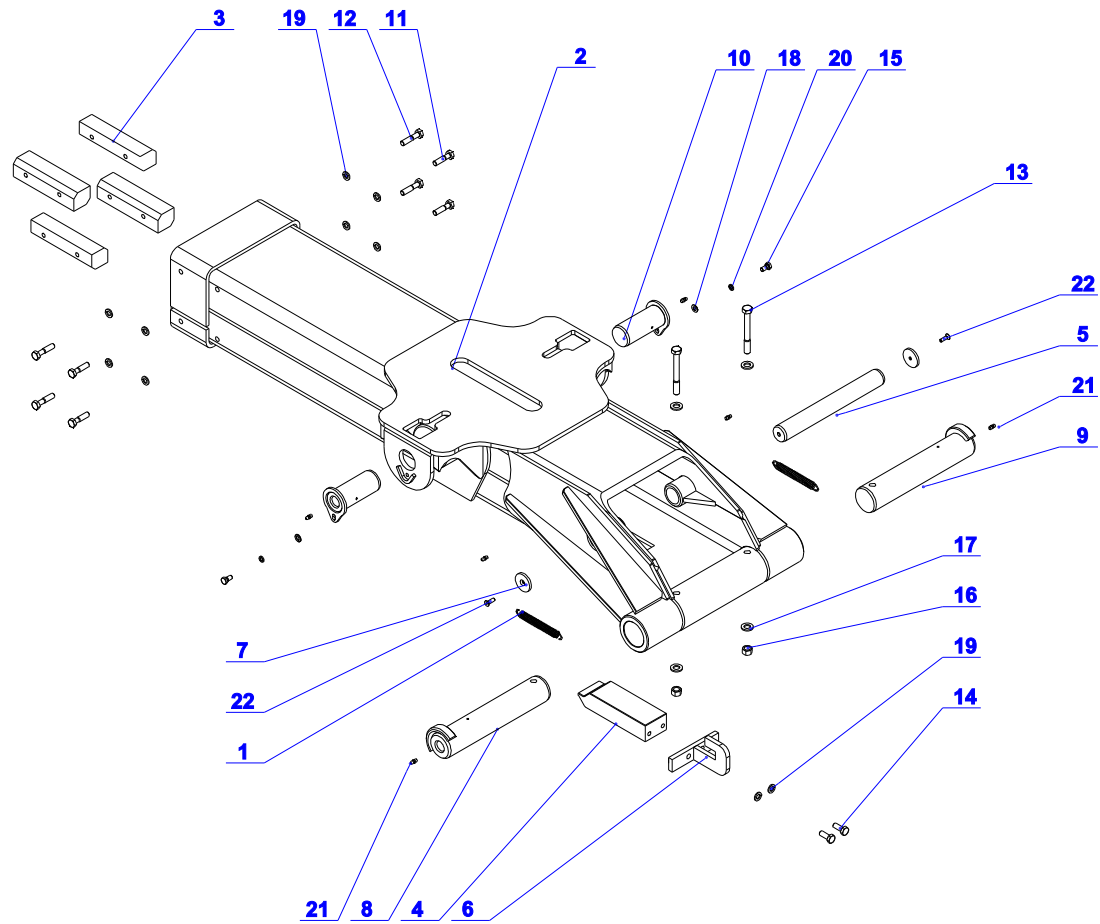
HYVALIFT

01 - SLIDING ARM 06-S III. DIN/C.H.E.M./CTS/POL

01 - SLIDING ARM 06-S III. DIN/C.H.E.M./CTS/POL

Position	Part	Part no.	Standard, Dwg. no.	Pieces
1.	Washer	310360046	36-510-4	2
2.	Synthetic guide block	150130001	69-902-4	4
3.	Pin 35-210	320070136	69-922-3	1
4.	Drop lock	341350010	69-935-4	1
5.	Sliding Arm 06-33-S III. DIN/C.H.E.M.	340090352	69-156-1	1
	Sliding Arm 06-33-S III. CTS	340090354		1
	Sliding Arm 06-33-S III. POL	340090356		1
	Sliding Arm 06-36-S III. DIN/C.H.E.M.	340090358		1
	Sliding Arm 06-36-S III. CTS	340090360		1
	Sliding Arm 06-36-S III. POL	340090362		1
	Sliding Arm 06-39-S III. DIN/C.H.E.M.	340090364		1
	Sliding Arm 06-39-S III. CTS	340090366		1
	Sliding Arm 06-42-S III. DIN/C.H.E.M.	340090368		1
	Sliding Arm 06-42-S III. CTS	340090370		1
	Sliding Arm 06-45-S III. DIN/C.H.E.M.	340090372		1
Sliding Arm 06-45-S III. CTS	340090374	1		
6.	Nut M16	120020025	ČSN 021492.25	1
7.	Pad 17	120090002	ČSN 021702.15	2
8.	Bolt M16x1,5x70	120010075	ČSN 021101.25	1
9.	Bolt M6x20	120010144	DIN 7991	2

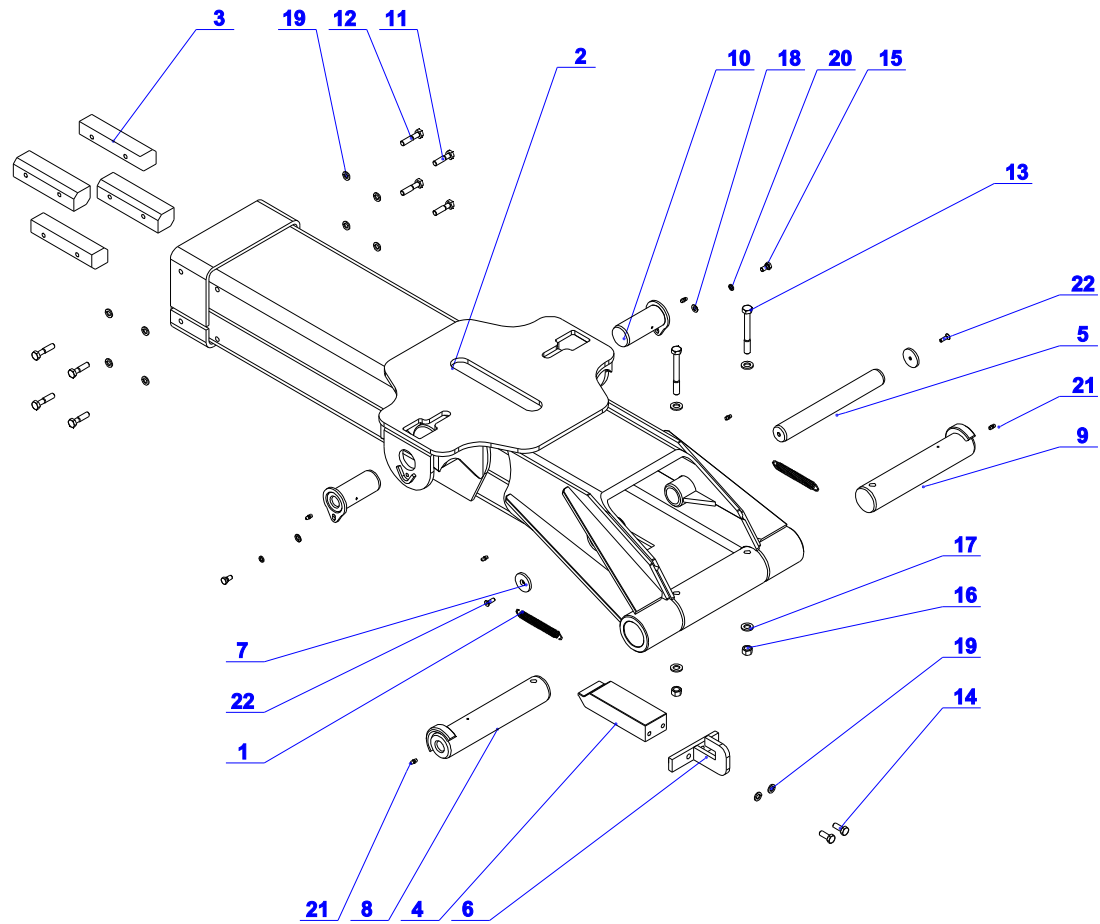
02 - MAIN ARM FRAME 06-S IV. DIN/C.H.E.M./CTS/POL



02 - MAIN ARM FRAME 06-S IV. DIN/C.H.E.M./CTS/POL

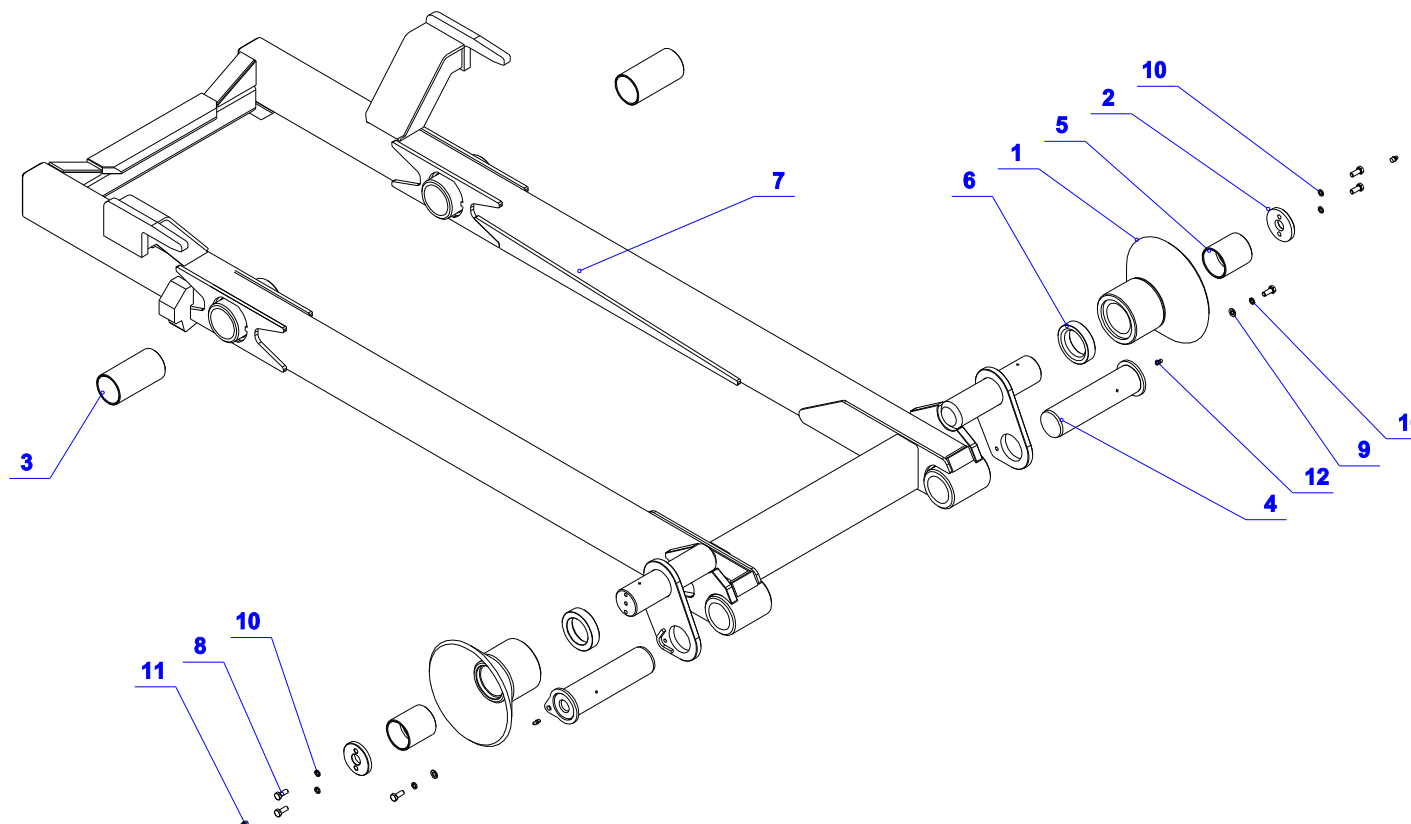
Position	Part	Part no.	Standard, Dwg. no.	Pieces
1.	Spring	120110018	36-537-4	2
2.	Main arm Frame 06-33-S IV. DIN/C.H.E.M./CTS/POL	340090380	69-252-1	1
	Main arm Frame 06-36-S IV. DIN/C.H.E.M./CTS/POL	340090382		1
	Main arm Frame 06-39-S IV. DIN/C.H.E.M./CTS	340090384		1
	Main arm Frame 06-42-S IV. DIN/C.H.E.M./CTS	340090386		1
	Main arm Frame 06-45-S IV. DIN/C.H.E.M./CTS	340090388		1
3.	Synthetic guide block	150130001	69-902-4	4
4.	Safety pin	311200003	69-916-3	1
5.	Pin 35-280	320070154	69-938-3	1
6.	Stop - Safety pin 06-33-S	340200008	73-940-3	1
	Stop - Safety pin 06-36-S	340200004	69-940-3	1
	Stop - Safety pin 06-39-S	340200005	70-940-3	1
	Stop - Safety pin 06-42-S	340200006	71-940-3	1
	Stop - Safety pin 06-45-S	340200007	72-940-3	1
7.	Washer	320440002	69-941-4	2
8.	Pin 55-284 L 06-33-S	340070057	69-963-3	1
	Pin 55-284 L 06-36-S			
	Pin 55-284 L 06-39-S			
	Pin 55-284 L 06-42-S			
	Pin 55-284 L 06-45-S			
9.	Pin 55-284 P 06-33-S	340070058	69-966-3	1
	Pin 55-284 P 06-36-S			
	Pin 55-284 P 06-39-S			
	Pin 55-284 P 06-42-S			
	Pin 55-284 P 06-45-S			
10.	Pin 45-109	340070062	69-972-4	2

02 - MAIN ARM FRAME 06-S IV. DIN/C.H.E.M./CTS/POL



02 - MAIN ARM FRAME 06-S IV. DIN/C.H.E.M./CTS/POL

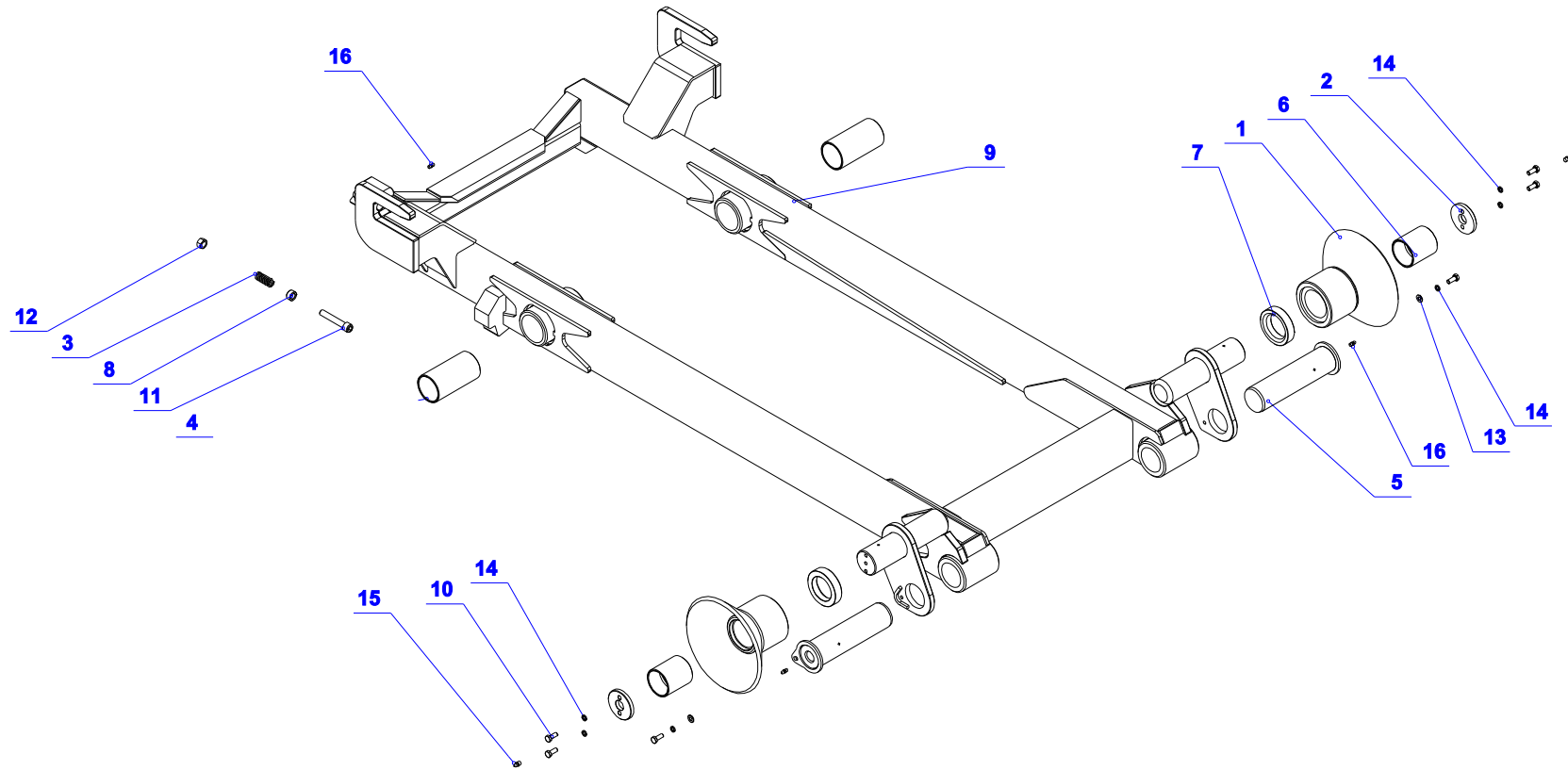
Position	Part	Part no.	Standard, Dwg. no.	Pieces
11.	Bolt M10x40	120010019	ČSN 021101.55	4
12.	Bolt M10x45	120010018	ČSN 021101.55	4
13.	Bolt M12x100	120010047	ČSN 021101.55	2
14.	Bolt M10x25	120010107	ČSN 021103.55	2
15.	Bolt M8x16	120010095	ČSN 021103.55	2
16.	Nut M12	120020005	ČSN 021492.25	2
17.	Pad 13	120090016	ČSN 021702.15	4
18.	Pad 8.4	120090013	ČSN 021702.15	2
19.	Pad 10	120090014	ČSN 021740.05	10
20.	Pad 8	120090017	ČSN 021740.05	2
21.	Grease cup KM6	120160030	ČSN 027421	6
22.	Bolt M6x20	120010144	DIN 7991	2

03 - TIPPING FRAME 06-S IV. C.H.E.M. Mechanical lock

03 - TIPPING FRAME 06-S IV. C.H.E.M. Mechanical lock

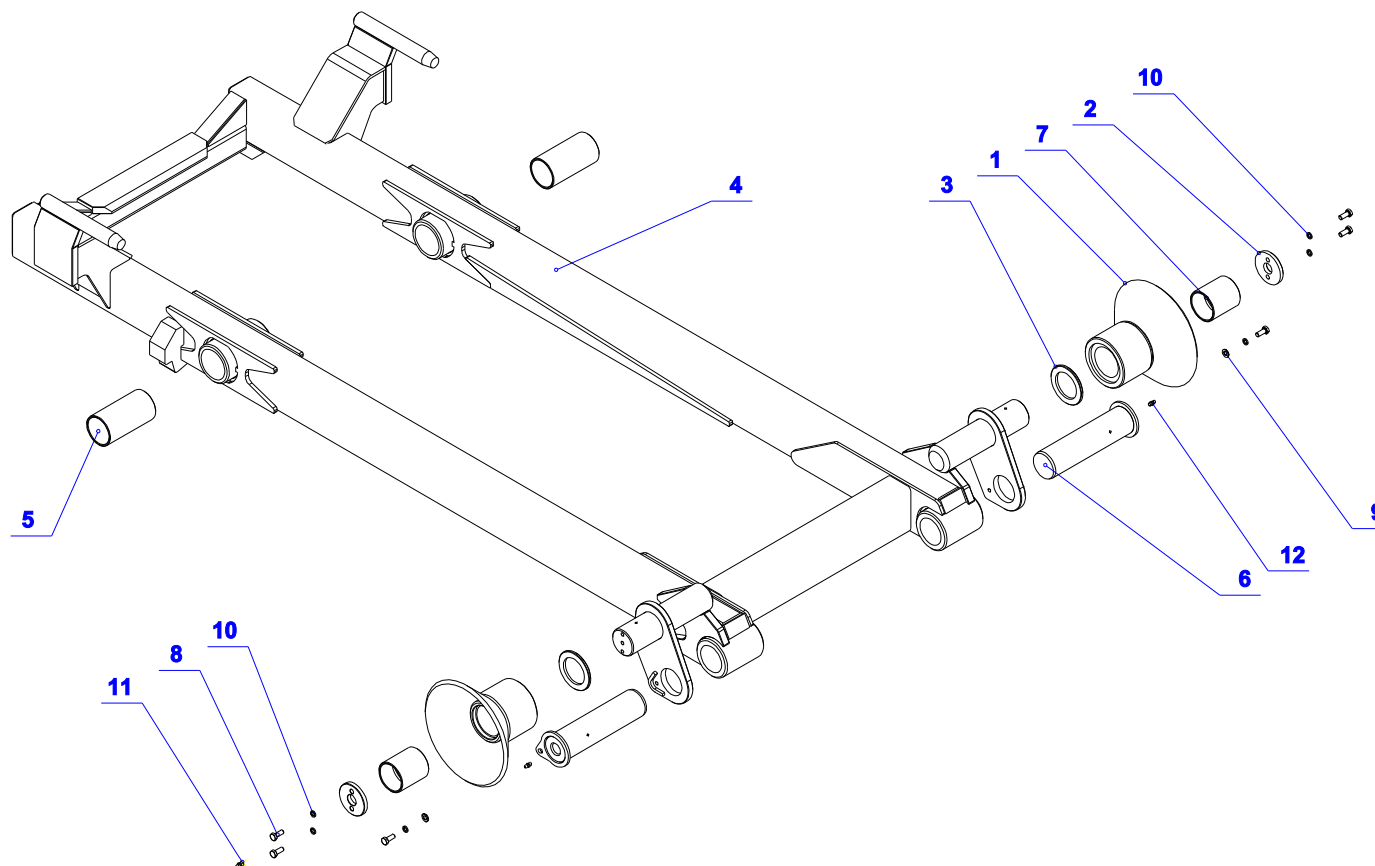
Position	Part	Part no.	Standard, Dwg. no.	Pieces
1.	Roller	340220002	13-322-3	2
2.	Pad	310820004	20-924-4	2
3.	Bushing ER 55x62-120	330370020	69-904-4	2
4.	Pin 55-214	340070035	69-911-3	2
5.	Bushing ER 55x62-70	330370021	69-943-4	2
6.	Dust pad roller	320420015	69-944-4	2
7.	Tipping Frame 06-33-S IV. C.H.E.M.	340090417	69-3300-1	1
	Tipping Frame 06-36-S IV. C.H.E.M.	340090395		1
	Tipping Frame 06-39-S IV. C.H.E.M.	340090403		1
	Tipping Frame 06-42-S IV. C.H.E.M.	340090409		1
	Tipping Frame 06-45-S IV. C.H.E.M.	340090413		1
8.	Bolt M8x20	120010062	ČSN 021103.55	6
9.	Pad 8,4	120090013	ČSN 021702.15	2
10.	Pad 8	120090017	ČSN 021740.15	6
11.	Grease cup KM8x1	120160010	ČSN 027421	2
12.	Grease cup KM6	120160030	ČSN 027421	2

04 - TIPPING FRAME 06-S IV. CTS C3/DIN Mechanical lock + electrical stop



04 - TIPPING FRAME 06-S IV. CTS C3/DIN Mechanical lock + electrical stop

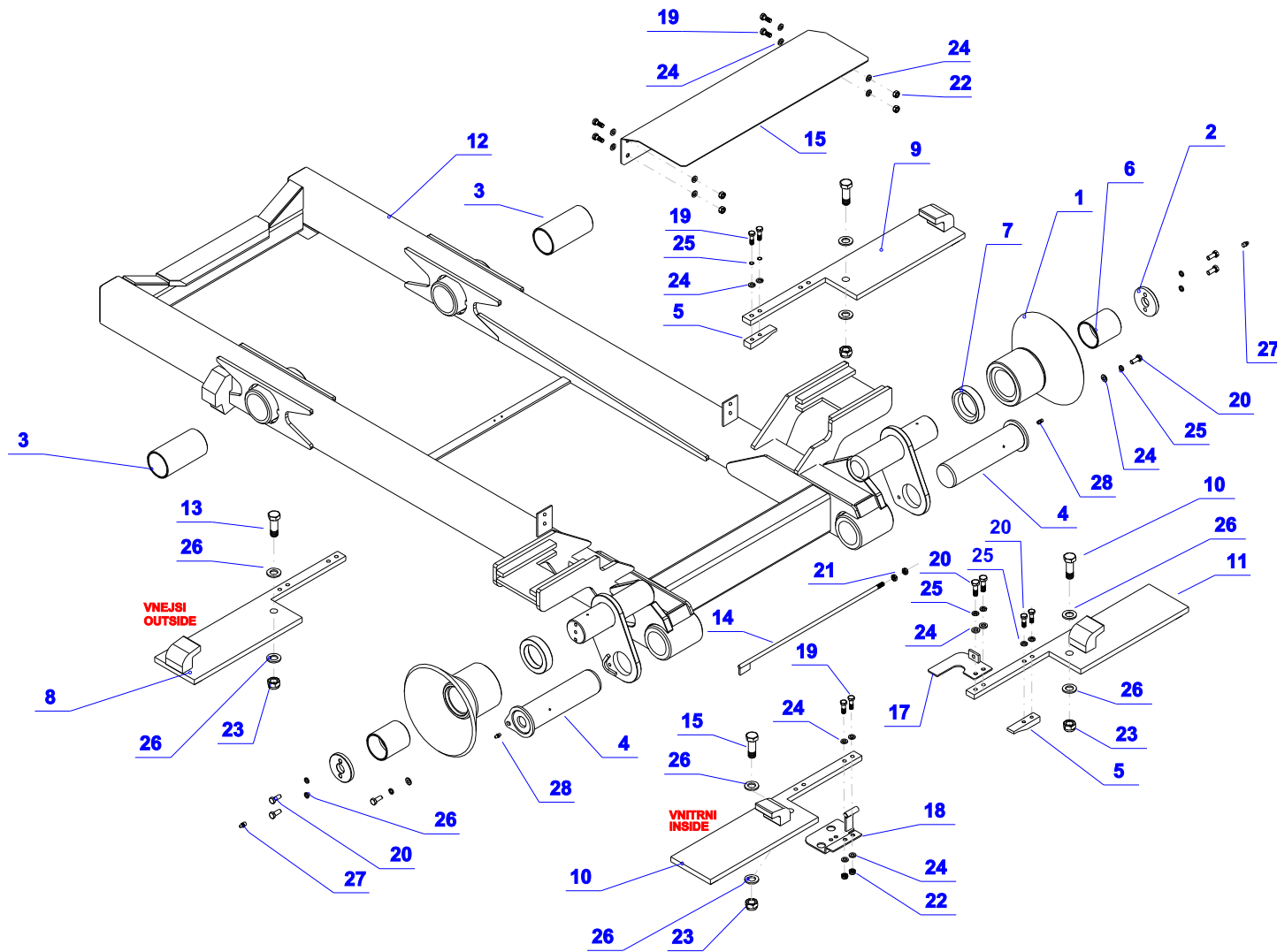
Position	Part	Part no.	Standard, Dwg. no.	Pieces
1.	Roller	340220002	13-322-3	2
2.	Pad	310820004	20-924-4	2
3.	Spring	120110020	51-921-4	1
4.	Bushing ER 55x62-120	330370020	69-904-4	2
5.	Pin 55-214	340070035	69-911-3	2
6.	Bushing ER 55x62-70	330370021	69-943-4	2
7.	Dust pad roller	320420015	69-944-4	2
8.	Caster	321420002	69-945-4	1
9.	Tipping Frame 06-33-S IV. CTS/DIN	340090415	69-3300-1	1
	Tipping Frame 06-36-S IV. CTS/DIN	340090393		1
	Tipping Frame 06-39-S IV. CTS/DIN	340090401		1
	Tipping Frame 06-42-S IV. CTS/DIN	340090407		1
	Tipping Frame 06-45-S IV. CTS/DIN	340090411		1
10.	Bolt M8x20	120010062	ČSN 021103.55	6
11.	Bolt M12x70	120010005	ČSN 021143.55	1
12.	Nut M12	120020005	ČSN 021492.25	1
13.	Pad 8,4	120090013	ČSN 021702.15	2
14.	Pad 8	120090017	ČSN 021740.15	6
15.	Grease cup KM8x1	120160010	ČSN 027421	2
16.	Grease cup KM6	120160030	ČSN 027421	3

05 - TIPPING FRAME 06-S IV. POL

05 - TIPPING FRAME 06-S IV. POL

Position	Part	Part no.	Standard, Dwg. no.	Pieces
1.	Roller	340220002	13-322-3	2
2.	Pad	310820004	20-924-4	2
3.	Dust pad roller	320940001	36-509-4	2
4.	Tipping Frame 06-33-S IV. POL	340090419	69-3302-1	1
	Tipping Frame 06-36-S IV. POL	340090397		1
5.	Bushing ER 55x62-120	330370020	69-904-4	2
6.	Pin 55-215	340070035	69-911-3	2
7.	Bushing ER 55x62-70	330370021	69-943-4	2
8.	Bolt M8x20	120010062	ČSN 021103.55	6
9.	Pad 8,4	120090013	ČSN 021702.15	2
10.	Pad 8	120090017	ČSN 021740.15	6
11.	Grease cup KM8x1	120160010	ČSN 027421	2
12.	Grease cup KM6	120160030	ČSN 027421	2

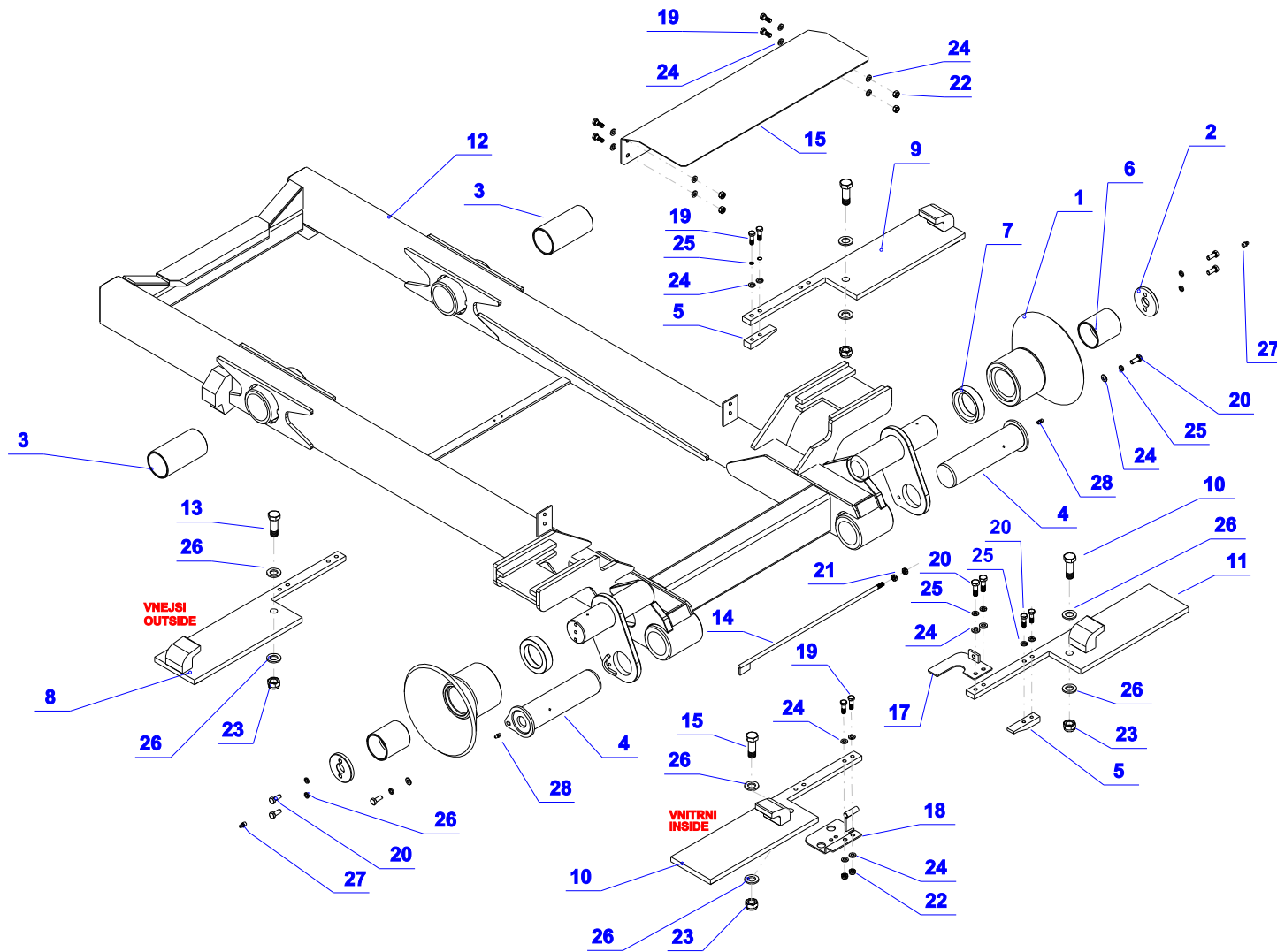
06 - TIPPING FRAME 06-S IV. Outside/Inside locking container II.



06 - TIPPING FRAME 06-S IV. Outside/Inside locking container II.

Position	Part	Part no.	Standard, Dwg. no.	Pieces
1.	Roller	340220002	13-322-3	2
2.	Pad	310820004	20-924-4	2
3.	Bushing ER 55x62-120	330370020	69-904-4	2
4.	Pin 55-214	340070035	69-911-3	2
5.	Gusset	310270011	69-929-4	1
6.	Bushing ER 55x62-70	330370021	69-943-4	2
7.	Dust pad roller	320420015	69-944-4	2
8.	Locking board 1060 outside left	340200012	69-946-3	1
9.	Locking board 1060 outside right	340200013	69-947-3	1
10.	Locking board 1060 inside left	340200014	69-958-3	1
11.	Locking board 1060 inside right	340200015	69-959-3	1
12.	Tipping Frame 06-33-S IV. AZ II.	340090418		1
	Tipping Frame 06-36-S IV. AZ II.	340090396		1
	Tipping Frame 06-39-S IV. AZ II.	340090404	69-3300-1	1
	Tipping Frame 06-42-S IV. AZ II.	340090410		1
	Tipping Frame 06-45-S IV. AZ II.	340090414		1
13.	Bolt - locking	330500004	69-974-4	2
14.	Connecting rod	321250012	82-846	1
15.	Cover	310360095	82-809	1
16.	-	-	-	-
17.	Holder - c.r. 06	340140077	69-968	1
18.	Holder - p.s. 06	340140078	69-969	1
19.	Bolt M8x25	120010123	ISO 4017	8
20.	Bolt M8x20	120010062	ISO 4017	4
21.	Nut M8	120020019	DIN 934	2
22.	Nut M8	120020003	DIN 982	6
23.	Nut M16	120020025	DIN 982	2

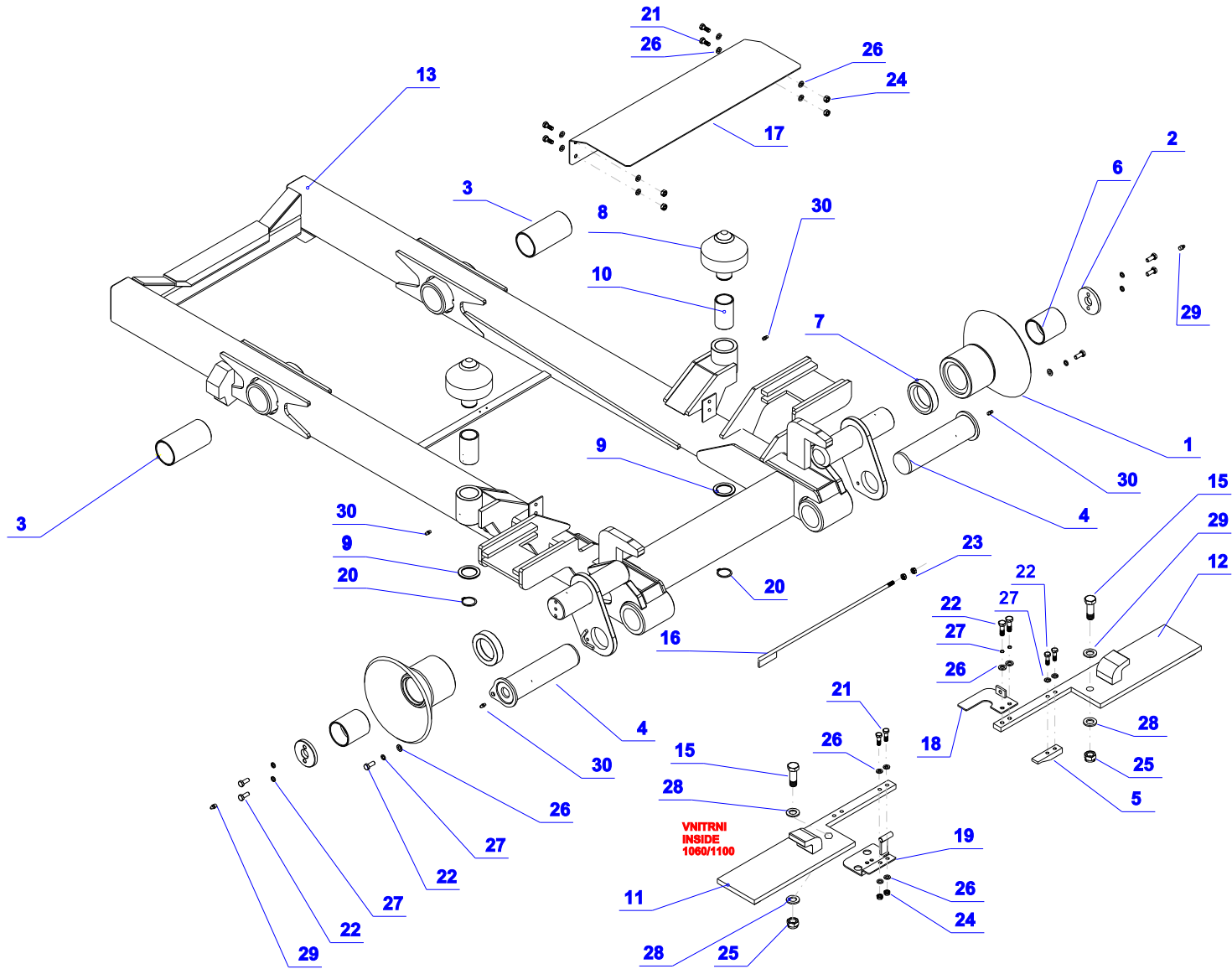
06 - TIPPING FRAME 06-S IV. Outside/Inside locking container II.



06 - TIPPING FRAME 06-S IV. Outside/Inside locking container II.

Position	Part	Part no.	Standard, Dwg. no.	Pieces
24.	Pad 8,4	120090013	ISO 7089	12
25.	Pad 8	120090017	DIN 127	18
26.	Pad 17	120090002	ISO 7089	4
27.	Grease cup KM8x1	120160010	ČSN 027421	2
28.	Grease cup KM6	120160030	ČSN 027421	2

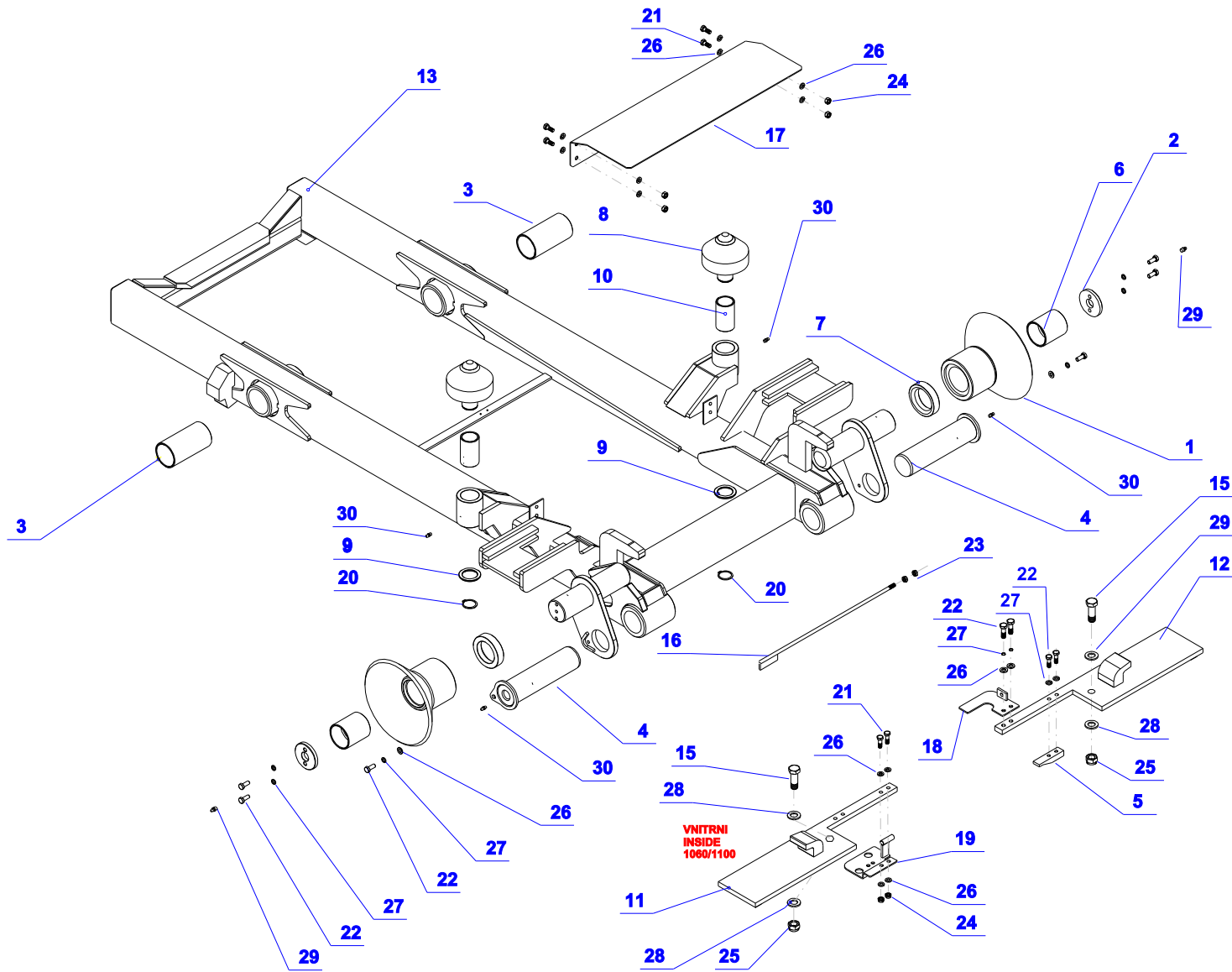
07 - TIPPING FRAME 06-33-S IV. Inside locking container II. : version G II. width 1060/1100



**07 - TIPPING FRAME 06-33-S IV. Inside locking container II.
version G II. width 1060/1100**

Position	Part	Part no.	Standard, Dwg. no.	Pieces
1.	Roller 1060/1100	340220007	36-541-3	2
2.	Pad	310820004	20-924-4	2
3.	Bushing ER 55x62-120	330370020	69-904-4	2
4.	Pin 55-214	340070035	69-911-3	2
5.	Gusset	310270011	69-929-4	1
6.	Bushing ER 55x62-70	330370021	69-943-4	2
7.	Dust pad roller	320420015	69-944-4	2
8.	Pin	340190003	69-953-4	2
9.	Pad	320890019	69-956-4	2
10.	Bushing	330370026	69-957-4	2
11.	Locking board 1060/1100 inside left	340200016	69-960-3	1
12.	Locking board 1060/1100 inside right	340200017	69-961-3	1
13.	Tipping Frame 06-33-S IV. AZ II. 1060/1100	340090420	73-3300-1	1
14.	-	-	-	-
15.	Bolt - locking	330500004	69-974-4	2
16.	Connecting rod	341570005	82-848	1
17.	Cover	310360095	82-809	1
18.	Holder - c.r. 06	340140076	82-840	1
19.	Holder - p.s. 06	340140075	82-839	1
20.	Ring 35x1,5	120080051	ČSN 022930	2
21.	Bolt M8x25	120010123	ISO 4017	6
22.	Bolt M8x20	120010062	ISO 4017	10
23.	Nut M8	120020019	DIN 934	2
24.	Nut M8	120020003	DIN 982	6
25.	Nut M16	120020025	DIN 982	2
26.	Pad 8,4	120090013	ISO 7089	16

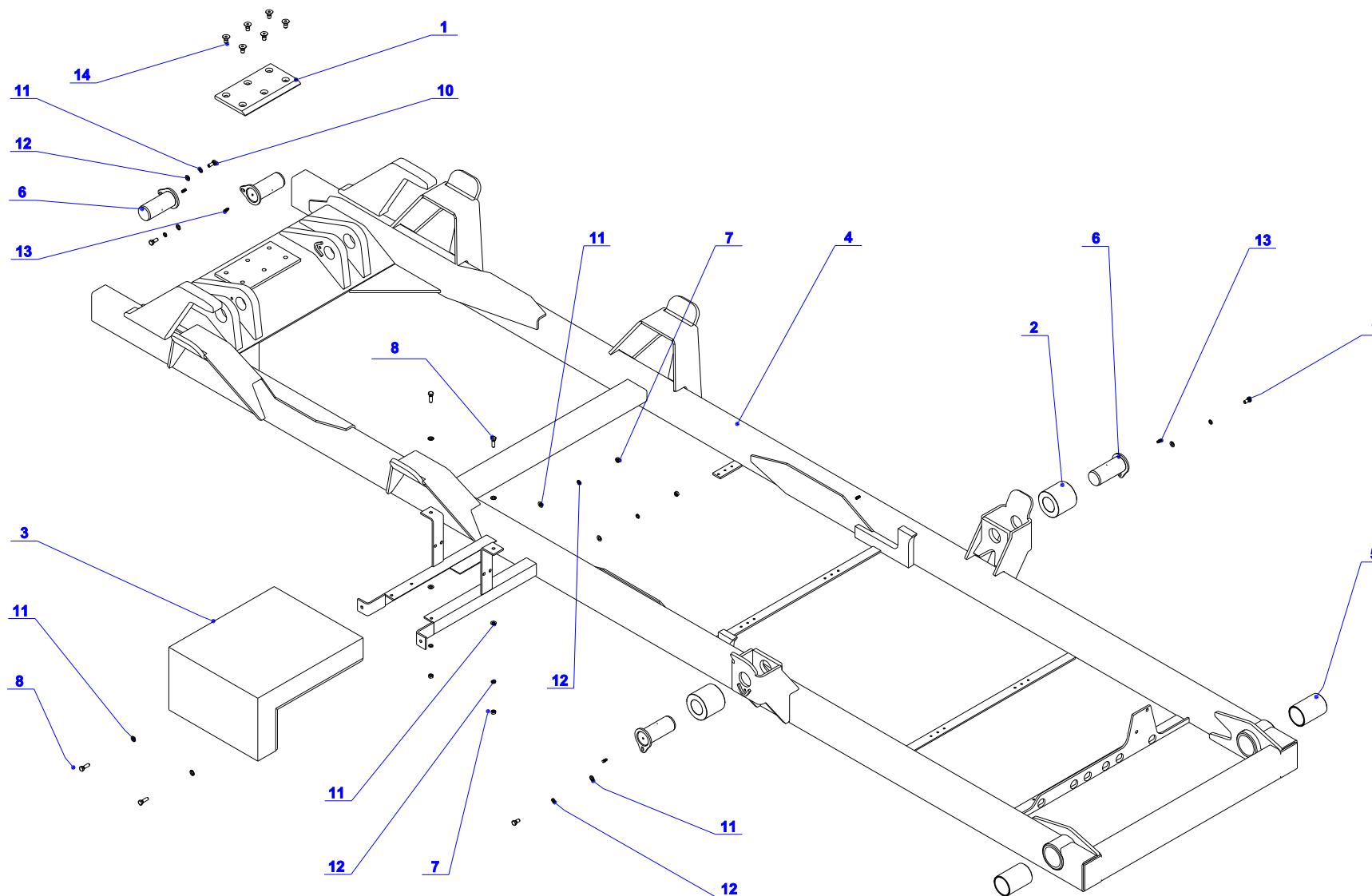
07 - TIPPING FRAME 06-33-S IV. Inside locking container II. : version G II. width 1060/1100



07 - TIPPING FRAME 06-33-S IV. Inside locking container II.
version G II. width 1060/1100

Position	Part	Part no.	Standard, Dwg. no.	Pieces
27.	Pad 8	120090017	DIN 127	10
28.	Pad 17	120090002	ISO 7089	4
29.	Grease cup KM8x1	120160010	ČSN 027421	2
30.	Grease cup KM6	120160030	ČSN 027421	4

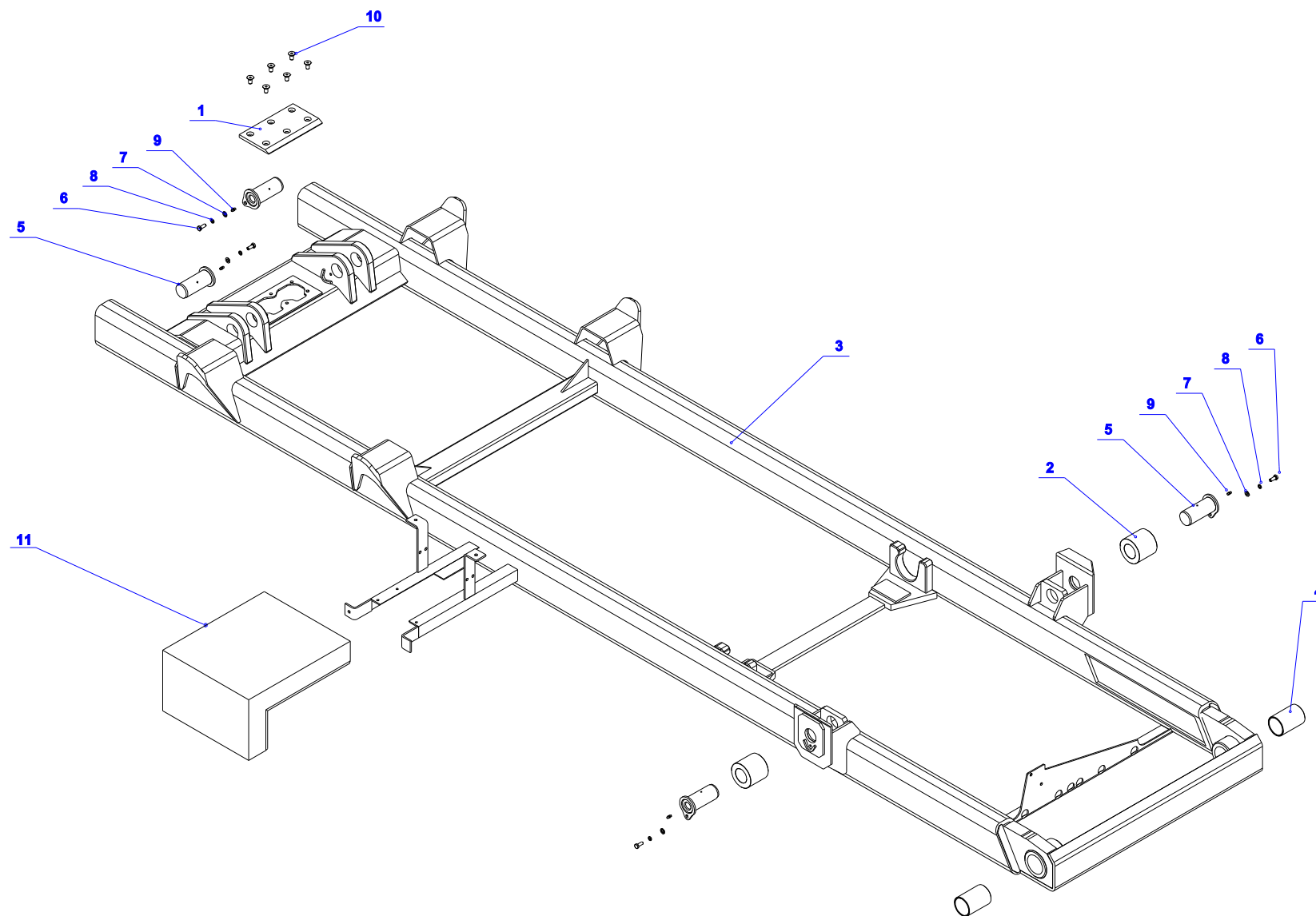
08 - POMOČNÝ RÁM 06-S IV. DIN/C.H.E.M./CTS



08 - UNDER FRAME 06-S IV. DIN/C.H.E.M./CTS

Position	Part	Part no.	Standard, Dwg. no.	Pieces
1.	Plate ER	330040013	49-614-4	1
2.	Roller	321720002	65-516-4	2
3.	Protective cover	310360076	65-527-3	1
4.	Under Frame 06-33-S IV. DIN/C.H.E.M./CTS	340860321	69-550-1	1
	Under Frame 06-36-S IV. DIN/C.H.E.M./CTS	340860323		1
	Under Frame 06-39-S IV. DIN/C.H.E.M./CTS	340860325		1
	Under Frame 06-42-S IV. DIN/C.H.E.M./CTS	340860327		1
	Under Frame 06-45-S IV. DIN/C.H.E.M./CTS	340860329		1
5.	Bushing ER 55x62-90	330370018	69-901-4	2
6.	Pin 45-109	340070034	69-909-3	4
7.	Nut M8	120020019	ČSN 021401.25	4
8.	Bolt M8x25	120010123	ČSN 021103.55	4
9.	Bolt M8x16	120010095	ČSN 021103.55	2
10.	Bolt M8x20	120010062	ČSN 021103.55	2
11.	Pad 8.4	120090013	ČSN 021702.15	12
12.	Pad 8	120090017	ČSN 021740.05	8
13.	Grease cup KM6	120160030	ČSN 027421	4
14.	Bolt M10x20	120010014	DIN 7991	6

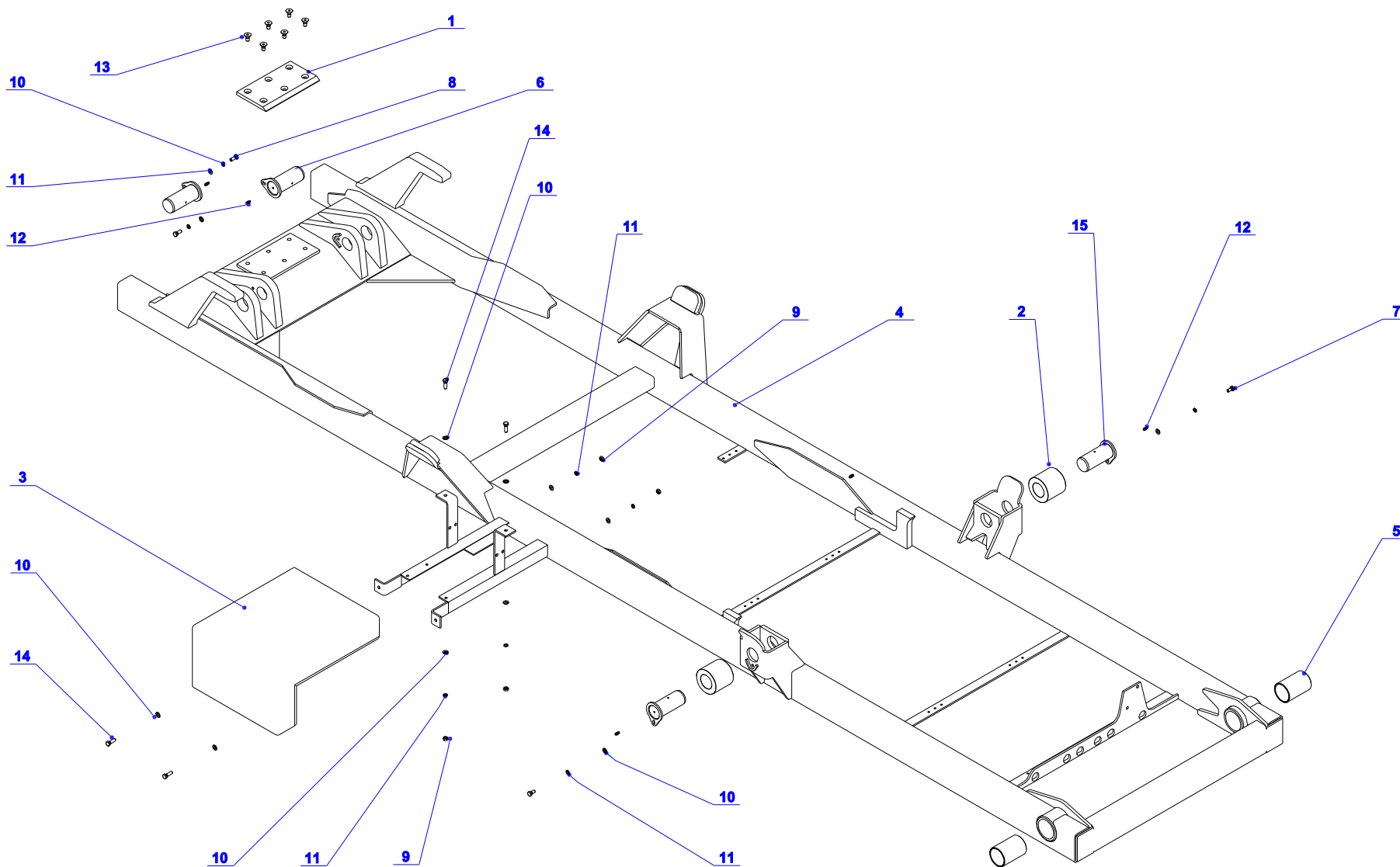
09 - POMOČNÝ RÁM 06-S T 10



09 - UNDER FRAME 06-S T 10

Position	Part	Part no.	Standard, Dwg. no.	Pieces
1.	Plate ER	330040013	49-614-4	1
2.	Roller	321720002	65-516-4	2
3.	Under frame 06-36-S-DIN/CTS TR4HR	340860214	69-456-0	1
4.	Bushing ER 55x62-90	330370018	69-901-4	2
5.	Pin 45-109	340070034	69-909-3	4
6.	Bolt M8x20	120010062	ČSN 021103.55	4
7.	Pad 8.4	120090013	ČSN 021702.15	4
8.	Pad 8	120090017	ČSN 021740.05	4
9.	Grease cup KM6	120160030	ČSN 027421	4
10.	Bolt M10x20	120010014	DIN 7991	6
11.	Protective cover	310360076	65-527-3	1

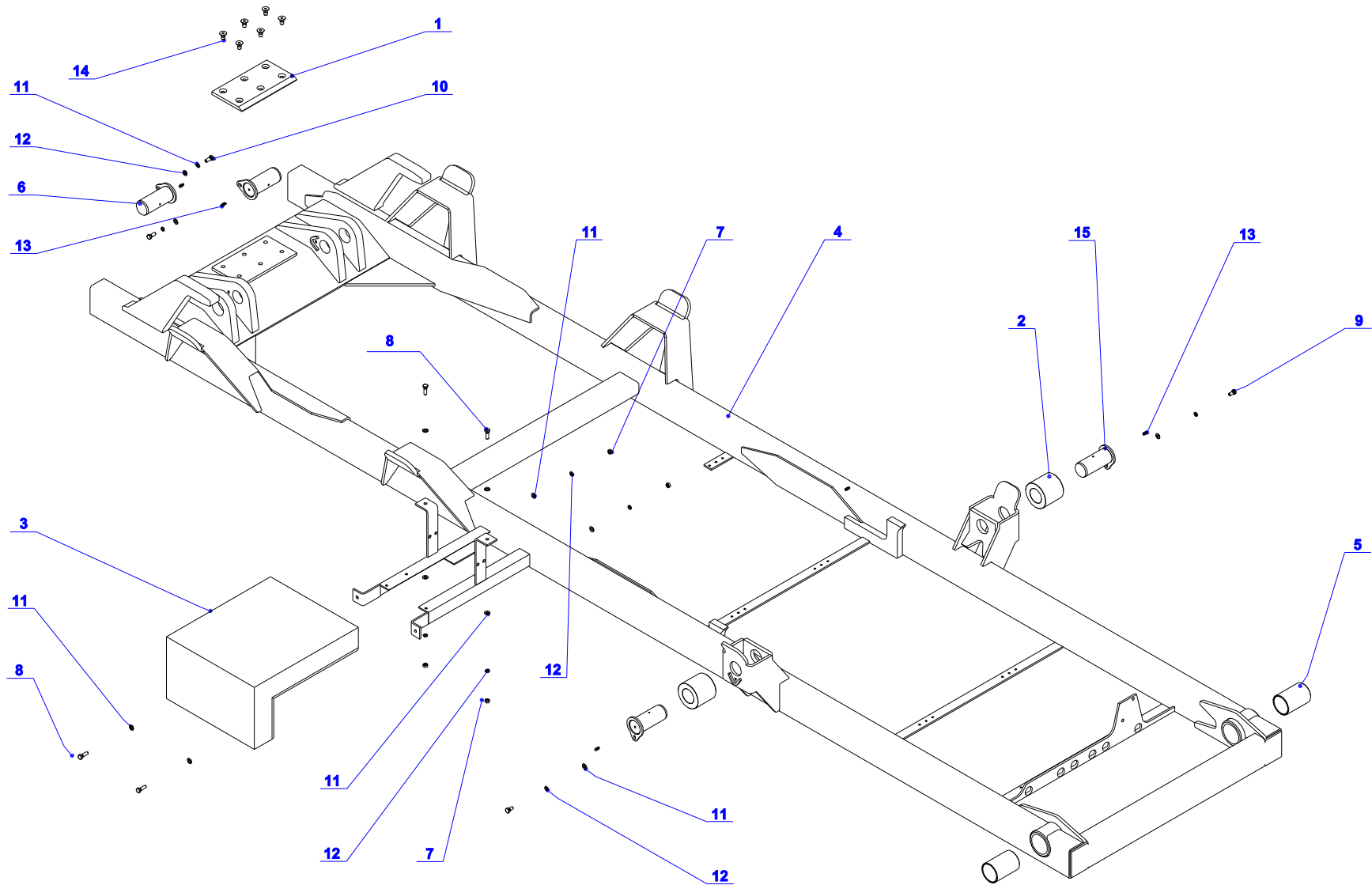
10 - POMOCNÝ RÁM 06-S IV. POL



10 - UNDER FRAME 06-S IV. POL

Position	Part	Part no.	Standard, Dwg. no.	Pieces
1.	Plate ER	330040013	49-614-4	1
2.	Roller	321720002	65-516-4	2
3.	Protective cover	310360076	65-527-3	1
4.	Under Frame 06-33-S IV. POL	340860335	69-552-1	1
	Under Frame 06-36-S IV. POL	340860333		1
5.	Bushing ER 55x62-90	330370018	69-901-4	2
6.	Pin 45-109	340070034	69-909-3	2
7.	Bolt M8x16	120010095	ČSN 021103.55	2
8.	Bolt M8x20	120010062	ČSN 021103.55	2
9.	Nut M8	120020019	ČSN 021401.25	4
10.	Pad 8.4	120090013	ČSN 021702.15	12
11.	Pad 8	120090017	ČSN 021740.05	8
12.	Grease cup KM6	120160030	ČSN 027421	4
13.	Bolt M10x20	120010014	DIN 7991	6
14.	Bolt M8x25	120010123	ČSN 021103.55	4
15.	Pin 45-131	340070052	69-951-3	2

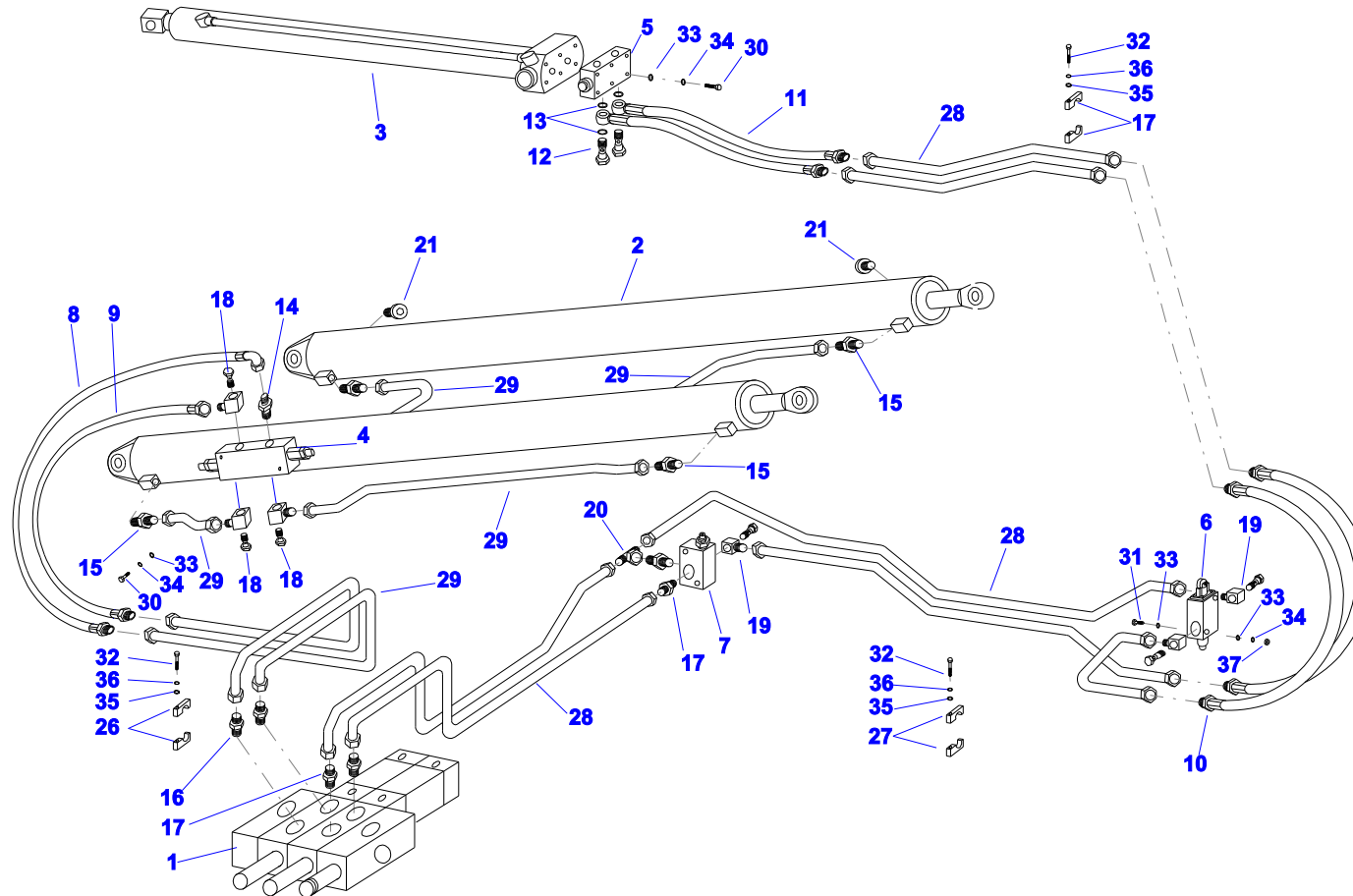
11 - UNDER FRAME 06-33-S IV. : version G II. width 1060/1100



11 - UNDER FRAME 06-33-S IV. : version G II. width 1060/1100

Position	Part	Part no.	Standard, Dwg. no.	Pieces
1.	Plate ER	330040013	49-614-4	1
2.	Roller	321720006	69-962-4	2
3.	Protective cover	310360076	65-527-3	1
4.	Under Frame 06-33-S IV. 1060/1100	340860321 + adjustment to 361230210	69-550-1	1
5.	Bushing ER 55x62-90	330370018	69-901-4	2
6.	Pin 45-109	340070034	69-909-3	2
7.	Nut M8	120020019	ČSN 021401.25	4
8.	Bolt M8x25	120010123	ČSN 021103.55	4
9.	Bolt M8x16	120010095	ČSN 021103.55	2
10.	Bolt M8x20	120010062	ČSN 021103.55	2
11.	Pas 8.4	120090013	ČSN 021702.15	12
12.	Pad 8	120090017	ČSN 021740.05	8
13.	Grease cup KM6	120160030	ČSN 027421	4
14.	Bolt M10x20	120010014	DIN 7991	6
15.	Pin 45-131	340070052	69-951-3	2

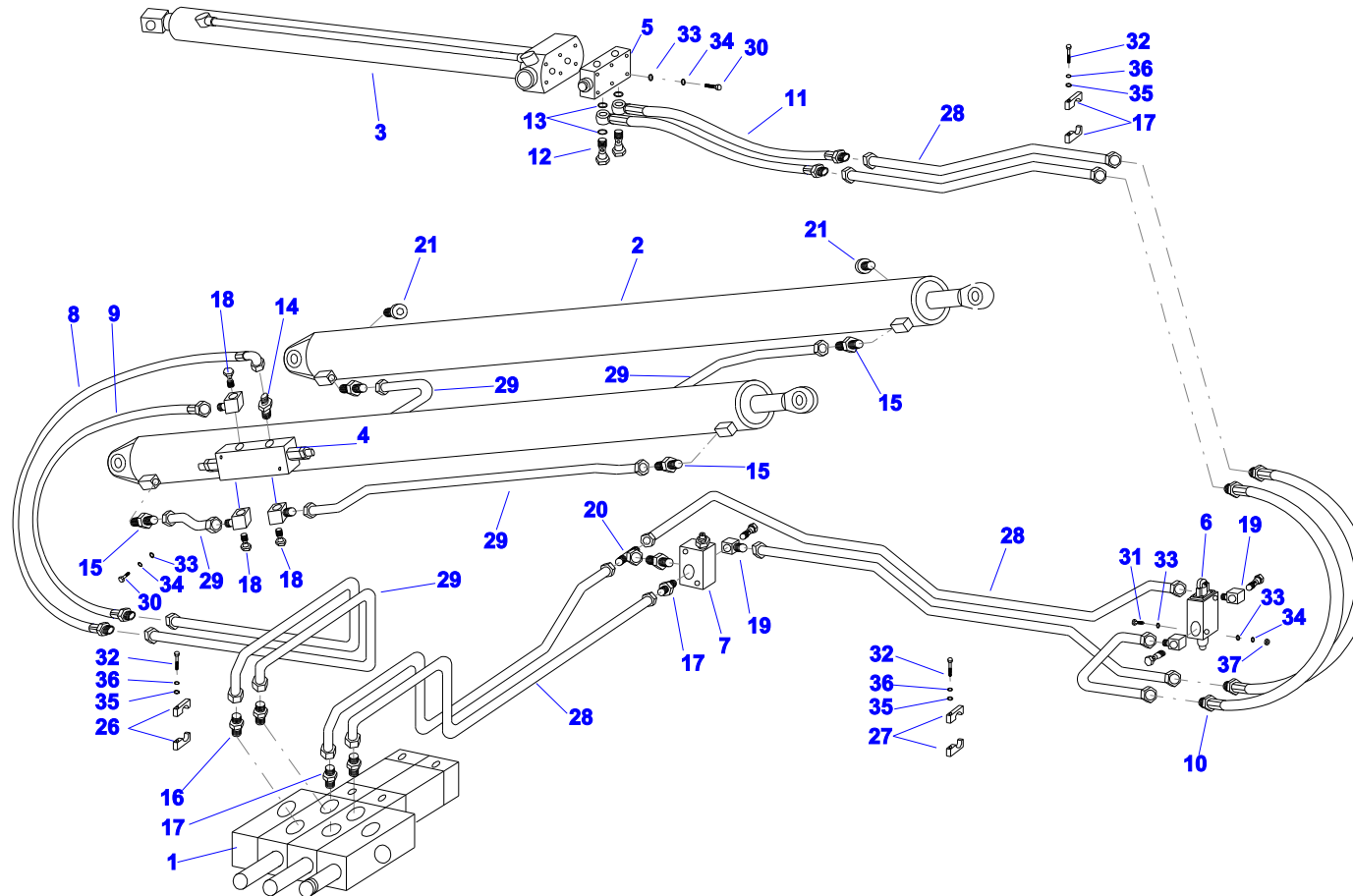
12 - HYDRAULIC LOOP - Standard



12 - HYDRAULIC LOOP - Standard

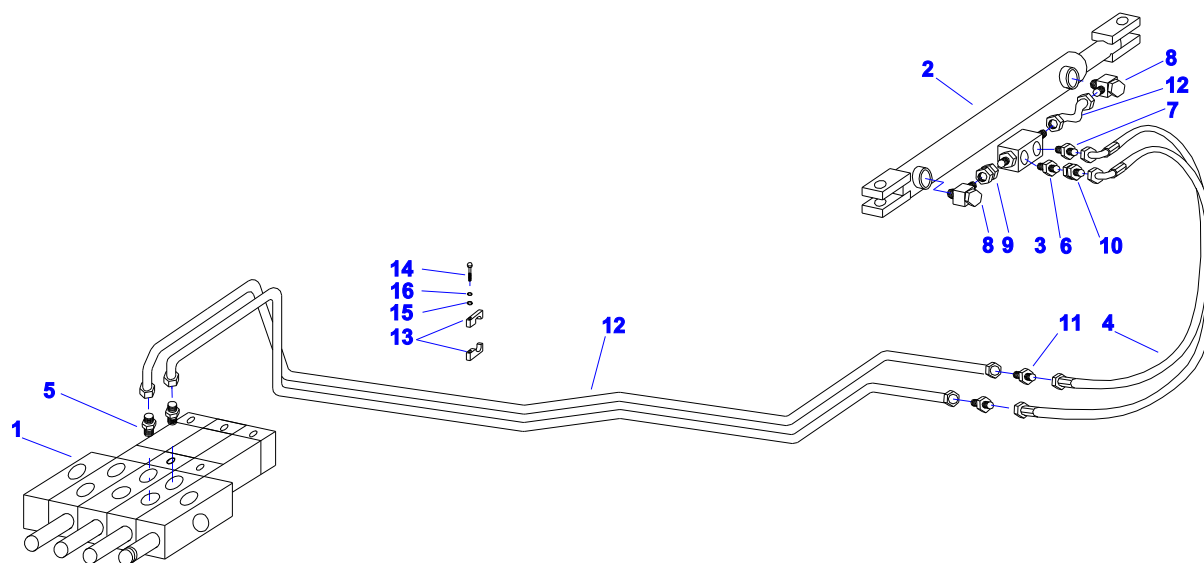
Position	Part	Part no.	Standard, Dwg. no.	Pieces (m)
1.	Hydraulic distributor	210070970	Bucher HDM 11S/2 pneu	1
	Hydraulic distributor	361040520	Hydrocontrol HC-NVD 2/2, 12V	1
	Hydraulic distributor	361040525	Hydrocontrol HC-NVD 2/2, 24V	1
2.	Hydraulic cylinder 06-33-S	210081010	Ø110/56-1100V (28 MPa, M22x1,5)	2
	Hydraulic cylinder 06-36-S	210081020	Ø110/56-1200V (28 MPa, M22x1,5)	2
	Hydraulic cylinder 06-39-S	210081030	Ø110/56-1300V (28 MPa, M22x1,5)	2
	Hydraulic cylinder 06-42-S	210081040	Ø110/56-1400V (28 MPa, M22x1,5)	2
	Hydraulic cylinder 06-45-S	210081050	Ø110/56-1500V (28 MPa, M22x1,5)	2
3.	Hydraulic cylinder 06-33-S	210080660	Ø80/45-700 (28 MPa)	1
	Hydraulic cylinder 06-36-S	210080670	Ø80/45-800 (28 MPa)	1
	Hydraulic cylinder 06-39-S	210080680	Ø80/45-900 (28 MPa)	1
	Hydraulic cylinder 06-42-S	210080690	Ø80/45-1000 (28 MPa)	1
	Hydraulic cylinder 06-45-S	210080700	Ø80/45-1100 (28 MPa)	1
4.	DPA – overcentre valve	210100140	OilControl VBSO-DE-CC 05.42.05-10-03-35	1
5.	Check valve	210110050	Oil Control VSO-DE-FBC 05.53.02-10-03-00	1
6.	Spool diverter valves	210100320	WALVOIL DF5/2 NC 17C pulley	1
7.	Safety valve	210100700	OilControl VCS-30 05.13.01-03-02-35	1
8.	Hydraulic hose I-650	210031725	GH 793 2SN 1A12DLB8/1A12DK8	1
9.	Hydraulic hose I-650	210031726	GH 793 2SN 1A12DL8/1A12DK8	1
10.	Hydraulic hose I-400	210030230	GH 793 2SN-6 1A10DK6	2
11.	Hydraulic hose I-640	210031080	GH 793 2SN-6 Banjo G ¹ / ₂ /1A10DK6	2
12.	Banjo coupling	210840040	G ¹ / ₂	2
13.	Ring USIT	210450240	22,7x30x2	4
14.	Male stud coupling	210620060	GES 15 LR-WD	1
15.	Male stud coupling	210620200	GES 15 L/M22x1,5-WD	6
16.	Male stud coupling	210620210	GES 15 LR3/8-WD	2

12 - HYDRAULIC LOOP - Standard



12 - HYDRAULIC LOOP - Standard

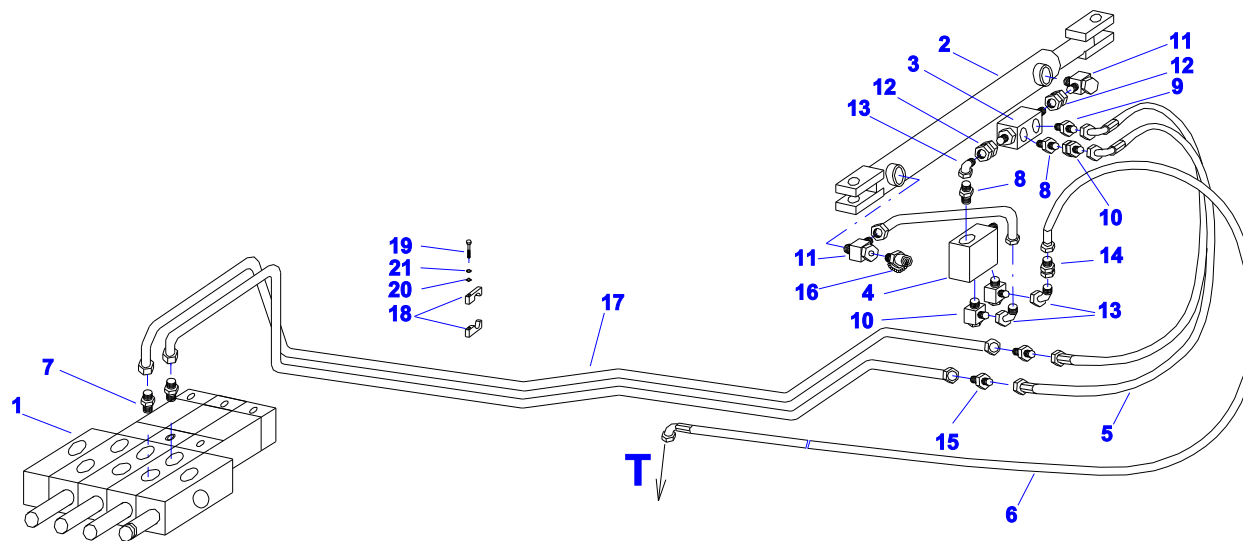
Position	Part	Part no.	Standard, Dwg. no.	Pieces (m)
17.	Male stud coupling	210620300	GES 12 LR-WD	4
18.	Banjo coupling with one-piece bolt	210720020	RSWS 15 SR-WD	3
19.	Banjo coupling with one-piece bolt	210720050	RSWS 12 LR-WD	3
20.	Adjustable equal Tee	210740010	ETSD 12 L	1
21.	Plug	210770100	VS-M 22x1,5-WD	2
22.	Profile ring (for hydraulic pipe)	210610020	P-R 15 L	12
23.	Profile ring (for hydraulic pipe)	210610010	P-R 12 L/S	10
24.	Cap nut (for hydraulic pipe)	210600030	M 15 L	12
25.	Cap nut (for hydraulic pipe)	210600020	M 12 L	10
26.	Clip	210810100	TR Ø15 TP15	12
27.	Clip	210810010	TR Ø12 TP12	28
28.	Hydraulic pipe Ø12x1.5	110410138	DIN 2391	18 m
29.	Hydraulic pipe Ø15x1.5	110410137	DIN 2391	12 m
30.	Bolt M8x50	120010071	ISO 4014	8
31.	Bolt M8x60	120010051	ISO 4014	2
32.	Bolt M6x40	120010050	ISO 4014	40
33.	Pad 8,4	120090013	ISO 7089-70	12
34.	Pad 8	120090017	DIN 7980	10
35.	Pad 6,4	120090005	ISO 7089-70	20
36.	Pad 6	120090006	DIN 7980	40
37.	Nut M8	120020019	ISO 4032	2

13 - HYDRAULIC LOOP - Outside/Inside locking container II.

13 - HYDRAULIC LOOP - Outside/Inside locking container II.

Position	Part	Part no.	Standard, Dwg. no.	Pieces (m)
1.	Hydraulic distributor	210071000	Bucher HDM 11S/3 pneu	1
	Hydraulic distributor	361040521	Hydrocontrol HC-NVD 2/3, 12V	1
	Hydraulic distributor	361040526	Hydrocontrol HC-NVD 2/3, 24V	1
2.	Hydraulic cylinder	210080900	Ø50/30-300 (28 MPa, M16x1,5)	1
3.	Check valve	210110080	VBPDA 0612	1
4.	Hydraulic hose	210031540	GH 793 2SN-4 1A6DL4/1A6DLB4 L=600	2
5.	Male stud coupling	210620300	GES 12 LR-WD	2
6.	Male stud coupling	210620300	GES 12 LR-WD	1
7.	Male stud coupling	210620320	GES 8 L/R ³ / ₈ -WD	1
8.	Banjo coupling with one-piece bolt	210720120	RSWS 12 LM	2
9.	Straight coupling	210790020	SNV 12 L	1
10.	Reducing fitting	210760100	REDSO 12/8 L	1
11.	Straight coupling	210670050	GS 12/8 L	2
12.	Hydraulic pipe Ø12x1.5	110410138	DIN 2391	12 m
13.	Clip	210810010	TR Ø12 TP12	24
14.	Bolt M6x40	120010050	ISO 4014	12
15.	Pad 6,4	120090005	ISO 7089-70	12
16.	Pad 6	120090006	DIN 7980	12
17.	Profile ring (for hydraulic pipe)	210610010	P-R 12 L/S	4
18.	Cap nut (for hydraulic pipe)	210600020	M 12 L	4

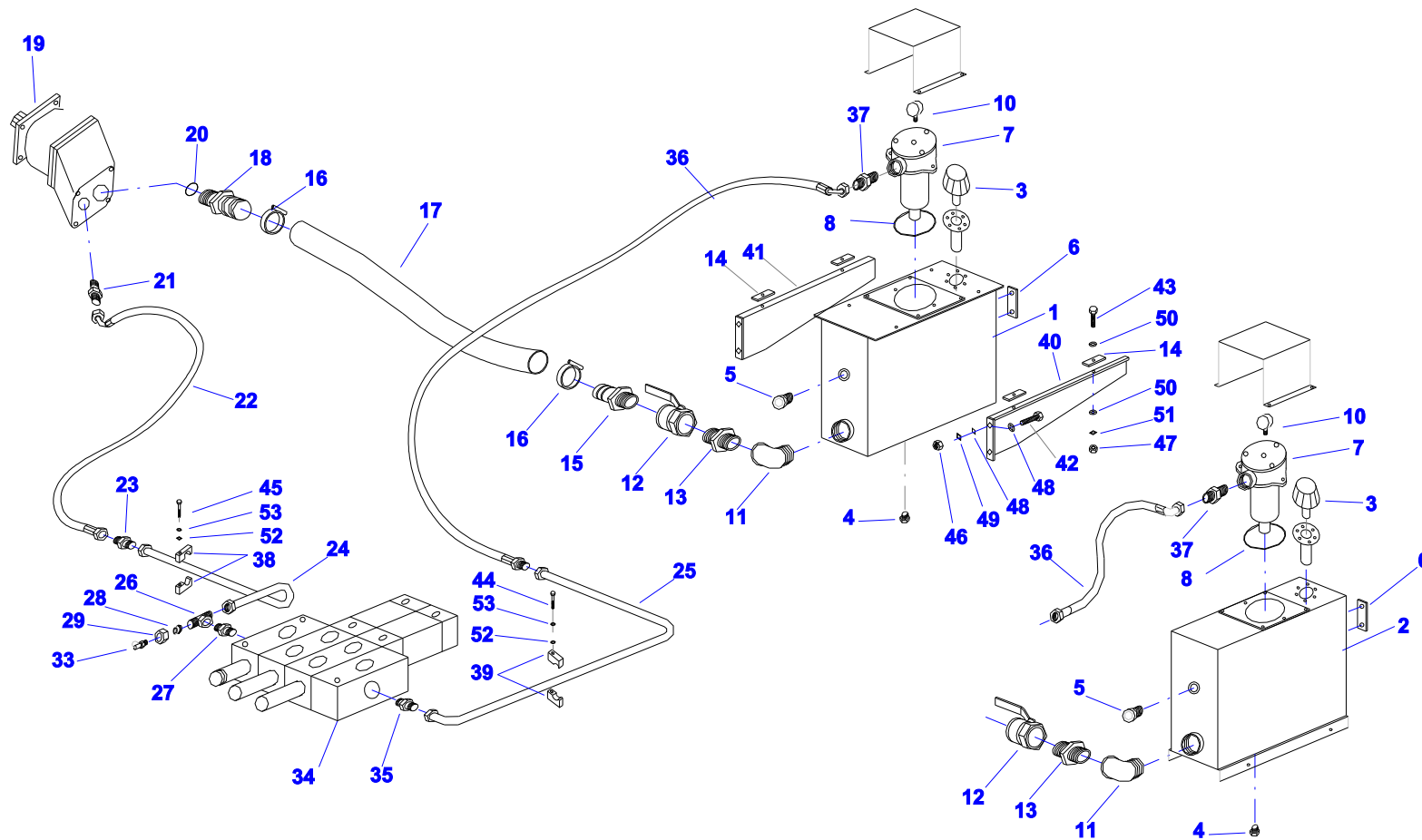
14 - HYDRAULIC LOOP - Inside locking container II. : version G II.
width 1060/1100



14 - HYDRAULIC LOOP - Inside locking container II. :
version G II. width 1060/1100

Position	Part	Part no.	Standard, Dwg. no.	Pieces (m)
1.	Hydraulic distributor	210071000	Bucher HDM 11S/3 pneu	1
	Hydraulic distributor	361040521	Hydrocontrol HC-NVD 2/3, 12V	1
	Hydraulic distributor	361040526	Hydrocontrol HC-NVD 2/3, 24V	1
2.	Hydraulic cylinder	210080900	Ø50/30-300 (28 MPa, M16x1,5)	1
3.	Check valve	210110080	VBPDA 0612	1
4.	Reducing valve	210070750	OilControl VRP-R 05.90.27-04-02-10	1
5.	Hydraulic hose	210031540	GH 793 2SN-4 1A6DL4/1A6DLB4 L=600	2
6.	Hydraulic hose	210031580	GH 663 1SN-4 1A6DL4/1A6DLB4 L=5500	1
	Hydraulic hose	210031590	GH 663 1SN-4 1A6DL4/1A6DLB4 L=7000	1
7.	Male stud coupling	210620300	GES 12 LR-WD	2
8.	Male stud coupling	210620300	GES 12 LR-WD	2
9.	Male stud coupling	210620320	GES 8 L/R ³ / ₈ -WD	1
10.	Banjo coupling with one-piece bolt	210720050	RSWS 12 LR	2
11.	Banjo coupling with one-piece bolt	210720120	RSWS 12 LM	2
12.	Straight coupling	210790020	SNV 12 L	2
13.	Adjustable male stud elbow	210730030	EWSD 12 L	3
14.	Reducing fitting	210760100	REDSD 12/8 L	1
15.	Straight coupling	210670050	GS 12/8 L	2
16.	Test connector	210800020	MA3/ M10x1	1
17.	Hydraulic pipe Ø12x1.5	110410138	DIN 2391	12 m
18.	Clip	210810010	TR Ø12 TP12	24
19.	Bolt M6x40	120010050	ISO 4014	12
20.	Pad 6,4	120090005	ISO 7089-70	12
21.	Pad 6	120090006	DIN 7980	12
22.	Profile ring (for hydraulic pipe)	210610010	P-R 12 L/S	8
23.	Cap nut (for hydraulic pipe)	210600020	M 12 L	8

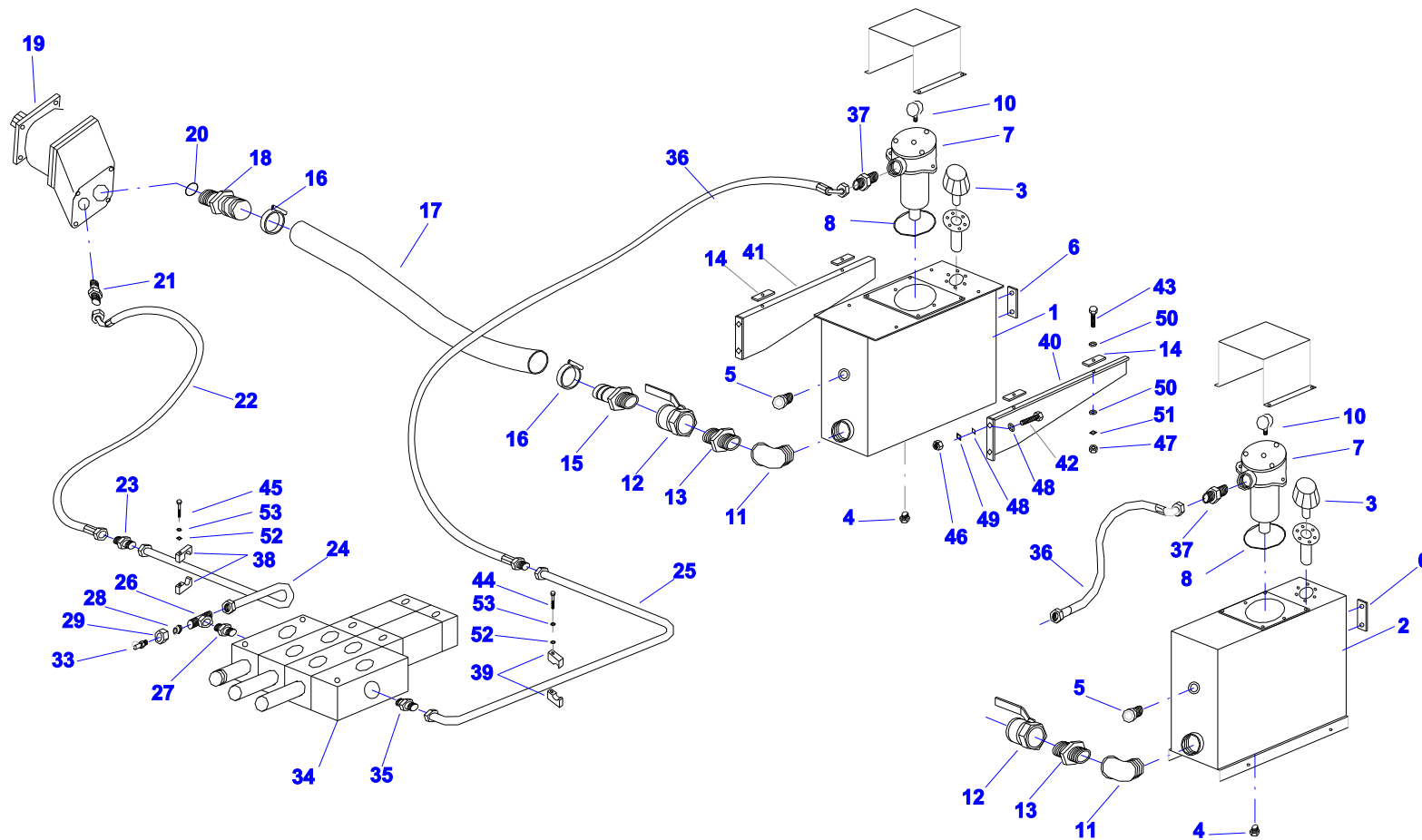
15 - HYDRAULIC LOOP - Bucher HDM 11S/2 - Hydraulic oil tank



15 - HYDRAULIC LOOP - Bucher HDM 11S - Hydraulic oil tank

Position	Part	Part no.	Standard, Dwg. no.	Pieces (m)
1.	Hydraulic oil tank 40 l : upper block	210010060	G 1¼"	1
2.	Hydraulic oil tank 40 l : lower block	210010130	G 1¼"	1
3.	Filling neck, venting	210130010	MP FILTRI TAP 90.F.L10.A.M.0.0.C120	1
4.	Plug	210770040	M18x1,5	1
5.	Plug M22x1,5	210770100	VS-M 22x1,5-WD	1
6.	Level gauge	210140060	MP Filtri LVA 2-T-A	1
7.	Reverse filter MP FILTRI	210040330	MPF 100.3.A.G2 P10 NB	1
8.	O ring Ø90x5,5	210400770	ČSN 029281	1
9.	Reverse filter cartridge MP FILTRI	210040231	MF 100 3 P10 NB	1
10.	Manometer	210150040	MP FILTRI G 1/8	1
11.	Elbow 1¼" -1	251000006	-	2
12.	Ball valve 1¼"	251000072	-	1
13.	Nipple 1¼"	250110005	-	1
14.	Pad	330360007	100-126-4	4
15.	Reduction 1¼"/Ø38	321100033	100-156-4	1
16.	Clip	210850170	NORMA W1 B20 GBS 44-47	2
17.	Suction hose DN 38	210031390	1,5 m	1
18.	Reduction G 1"-Ø38	321100034	100-157-4	1
19.	Hydraulic pump	-	35 l	1
20.	Pad	210450080	Cu 33x43x2	1
21.	Male stud coupling	210620060	PHER 15 LR-WD	2
22.	Hydraulic hose SIZE 8 DN 12	210030200	GH 793 2SN8 1A12DLB8/1A12DL8 - 1150	1
	Hydraulic hose SIZE 8 DN 12	210031727	GH 793 2SN8 1A12DLB8/1A12DL8 - 2200	1
	Hydraulic hose SIZE 8 DN 12	210031260	GH 793 2SN8 1A12DLB8/1A12DK8 - 900	1
23.	Straight coupling 15 L	210660040	GS 15 L	1
24.	Hydraulic pipe Ø15x1,5	110410138	DIN 2391	1 m
25.	Hydraulic pipe Ø18x1,5	110410136	DIN 2391	3 m

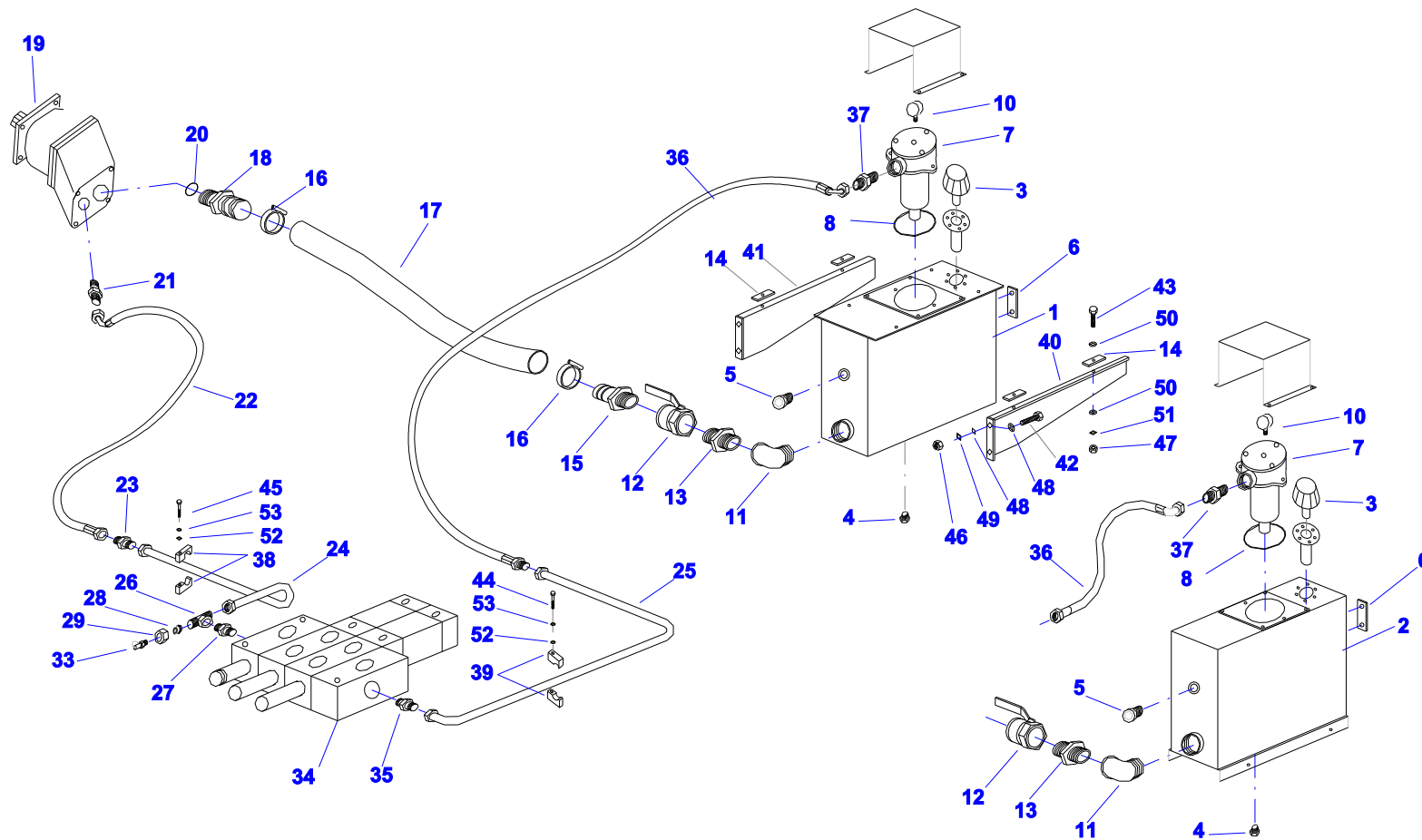
15 - HYDRAULIC LOOP - Bucher HDM 11S/2 - Hydraulic oil tank



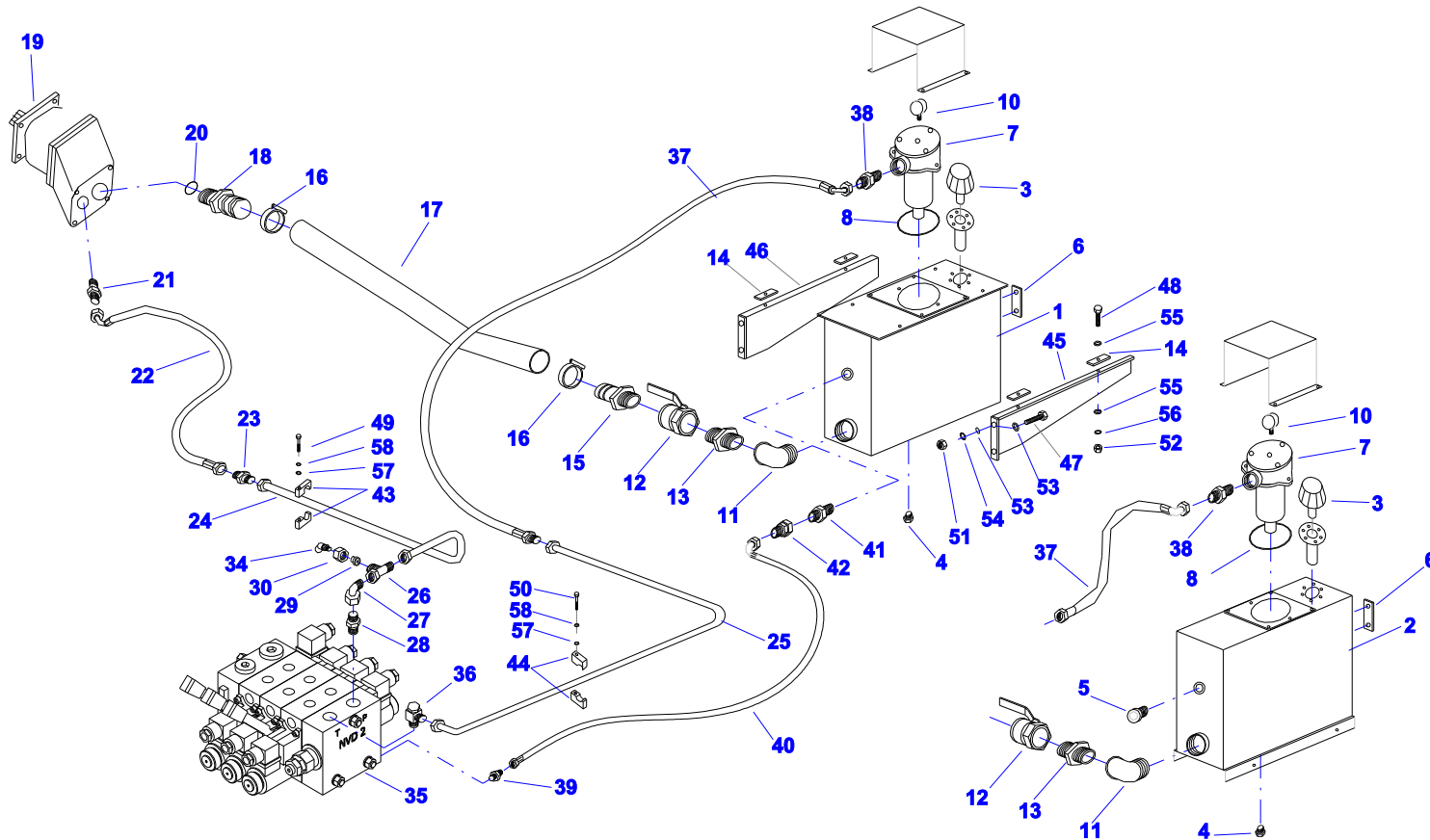
15 - HYDRAULIC LOOP - Bucher HDM 11S - Hydraulic oil tank

Position	Part	Part no.	Standard, Dwg. no.	Pieces (m)
26.	Adjustable equal Tee	210740040	ETSD 15 L	1
27.	Male stud coupling	210620210	GES 15-L/R 3/8-WD	1
28.	Test plug 15L	330660002	100-163	1
29.	Cap nut (for hydraulic pipe)	210600030	M 15 L	1
30.	Cap nut (for hydraulic pipe)	210600090	M 18 L	8
31.	Profile ring (for hydraulic pipe)	210610020	P-R 15 L	6
32.	Profile ring (for hydraulic pipe)	210610080	P-R 18 L	8
33.	Test connector	210800020	MA3/M10x1	1
34.	Hydraulic distributor	210070970	BUCHER HDM 11S/2 pneu	1
	Hydraulic distributor	210071000	BUCHER HDM 11S/3 pneu	1
35.	Male stud coupling	210620390	GE 18 LR3/8	1
36.	Hydraulic hose SIZE 10 DN 16	210031240	GH6631SN10 1A16DL10/1A16DLB10 -370	1
	Hydraulic hose SIZE 10 DN 16	210031250	GH6631SN10 1A16DLB10/1A16DK10-900	1
	Hydraulic hose SIZE 10 DN 16	210031340	GH6631SN10 1A16DL10/1A16DK10-1000	1
	Hydraulic hose SIZE 10 DN 16	210031728	GH6631SN10 1A16DL10/1A16DLB10-2500	1
37.	Male stud coupling	210620340	GES 18 L/R¾-WD	1
38.	Clip	210810100	TR Ø16 TP15	8
39.	Clip	210810090	TR Ø18 TP18	8
40.	Brace L	340290004	20-633-3	1
41.	Brace P	340290008	20-634-3	1
42.	Bolt M12x40	120010027	ISO 4017	4
43.	Bolt M10x40	120010019	ISO 4017	4
44.	Bolt M6x50	120010050	ISO 4017	4
45.	Bolt M6x40	120010050	ISO 4017	28
46.	Nut M12	120020023	ISO 4032	4
47.	Nut M10	120020021	ISO 4032	4
48.	Pad 13	120090016	ISO 7089-70	16

15 - HYDRAULIC LOOP - Bucher HDM 11S/2 - Hydraulic oil tank



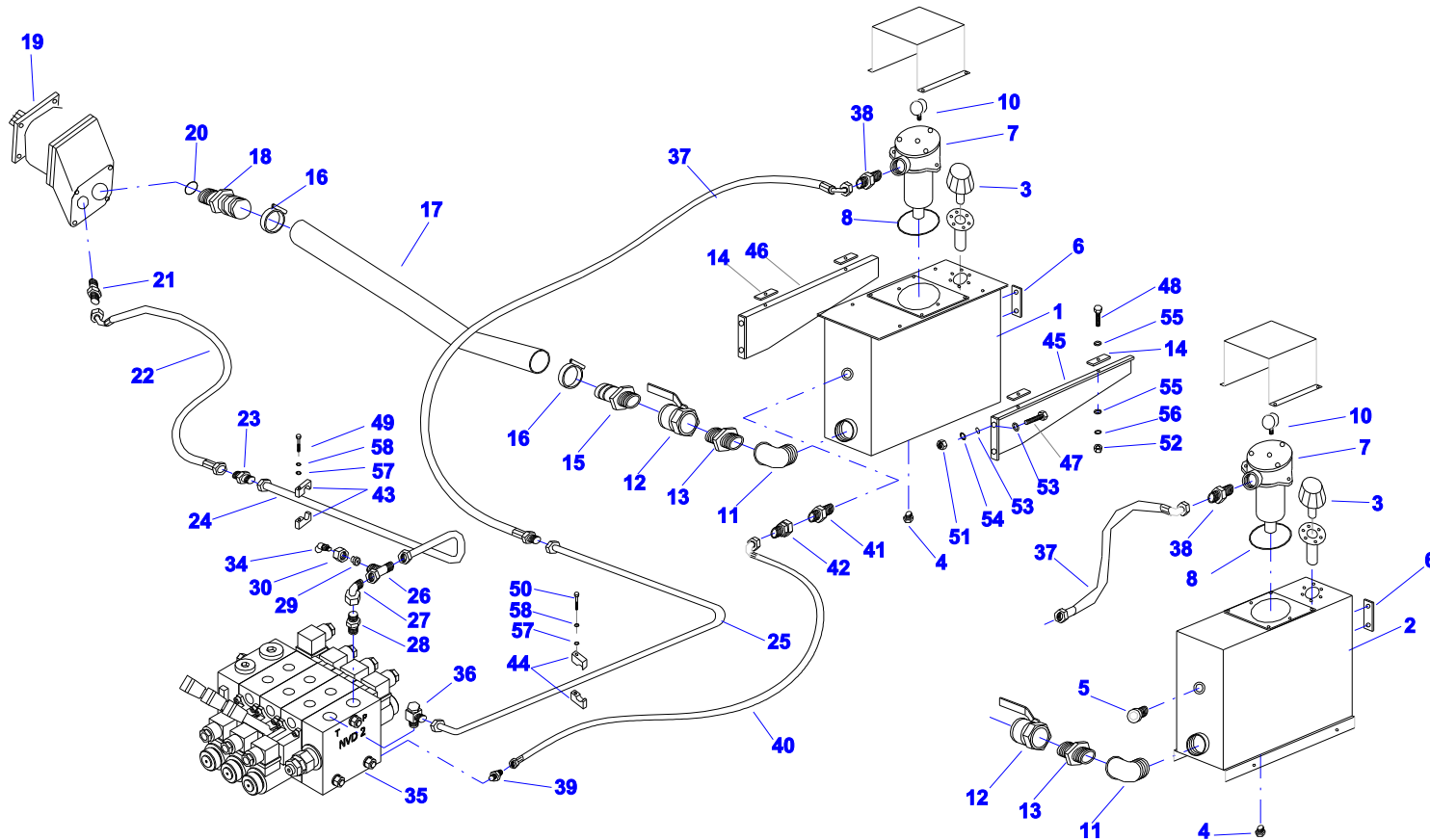
16 - HYDRAULIC LOOP - Hydrocontrol HC-NVD 2 - Hydraulic oil tank



16 - HYDRAULIC LOOP - Hydrocontrol HC-NVD 2 - Hydraulic oil tank

Position	Part	Part no.	Standard, Dwg. no.	Pieces (m)
1.	Hydraulic oil tank 40 l : upper block	210010060	G 1¼"	1
2.	Hydraulic oil tank 40 l : lower block	210010130	G 1¼"	1
3.	Filling neck, venting	210130010	MP FILTRI TAP 90.F.L10.A.M.0.0.C120	1
4.	Plug	210770040	M18x1,5	1
5.	Plug M22x1,5	210770100	VS-M 22x1,5-WD	1
6.	Level gauge	210140060	MP Filtri LVA 2-T-A	1
7.	Reverse filter MP FILTRI	210040330	MPF 100.3.A.G2 P10 NB	1
8.	O ring Ø90x5,5	210400770	ČSN 029281	1
9.	Reverse filter cartridge MP FILTRI	210040231	MF 100 3 P10 NB	1
10.	Manometer	210150040	MP FILTRI G 1/8	1
11.	Elbow 1¼" -1	251000006	-	2
12.	Ball valve 1¼"	251000072	-	1
13.	Nipple 1¼"	250110005	-	1
14.	Pad	330360007	100-126-4	4
15.	Reduction 1¼"/Ø38	321100033	100-156-4	1
16.	Clip	210850170	NORMA W1 B20 GBS 44-47	2
17.	Suction hose DN 38	210031390	1,5 m	1
18.	Reduction G 1"-Ø38	321100034	100-157-4	1
19.	Hydraulic pump	-	35 l	1
20.	Pad	210450080	Cu 33x43x2	1
21.	Male stud coupling	210620060	PHER 15 LR-WD	2
22.	Hydraulic hose SIZE 8 DN 12	210030200	GH 793 2SN8 1A12DLB8/1A12DL8 - 1150	1
	Hydraulic hose SIZE 8 DN 12	210031727	GH 793 2SN8 1A12DLB8/1A12DL8 - 2200	1
	Hydraulic hose SIZE 8 DN 12	210031260	GH 793 2SN8 1A12DLB8/1A12DK8 - 900	1
23.	Straight coupling 15 L	210660040	GS 15 L	1
24.	Hydraulic pipe Ø15x1,5	110410138	DIN 2391	1 m
25.	Hydraulic pipe Ø18x1,5	110410136	DIN 2391	3 m

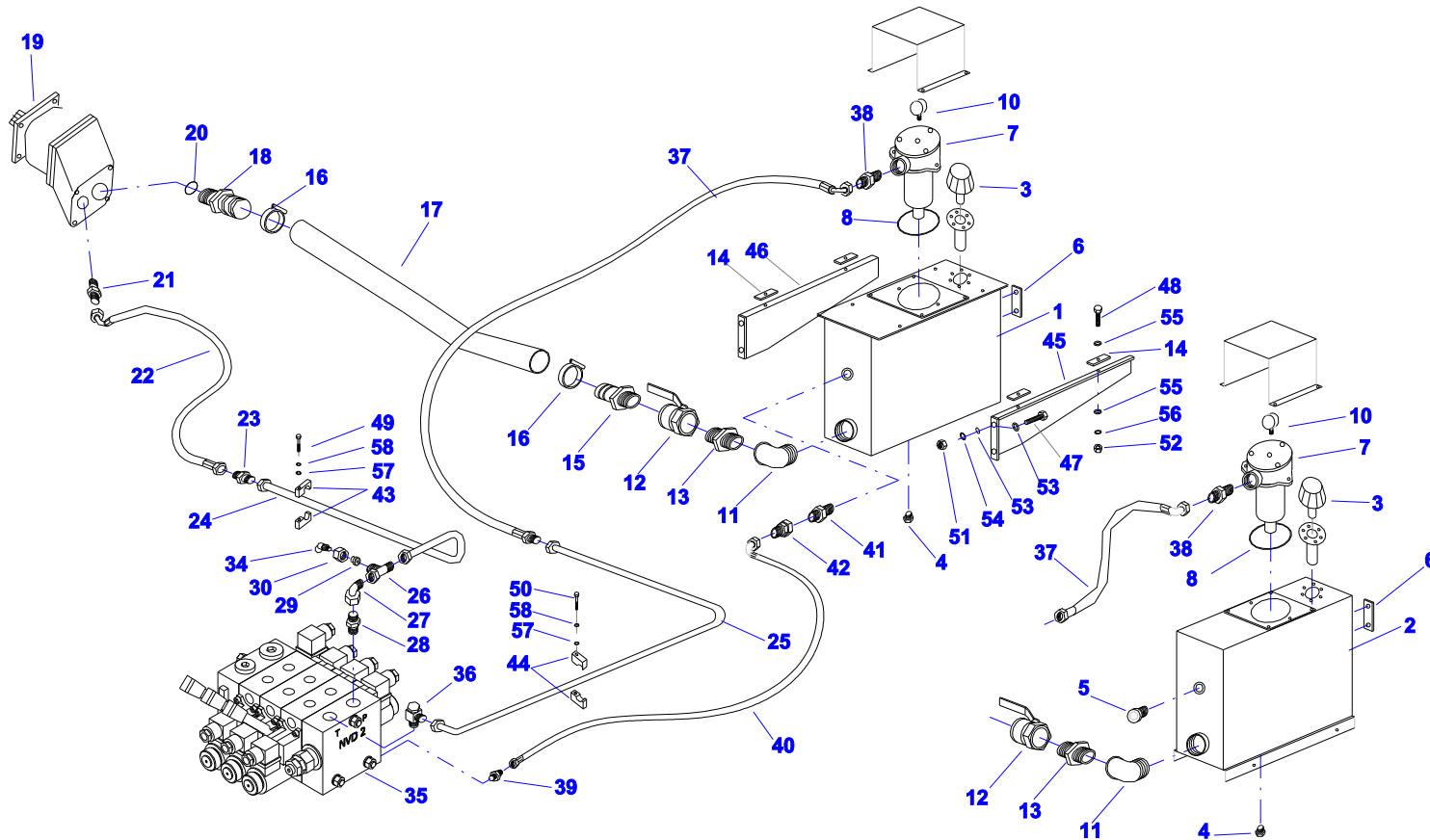
16 - HYDRAULIC LOOP - Hydrocontrol HC-NVD 2 - Hydraulic oil tank



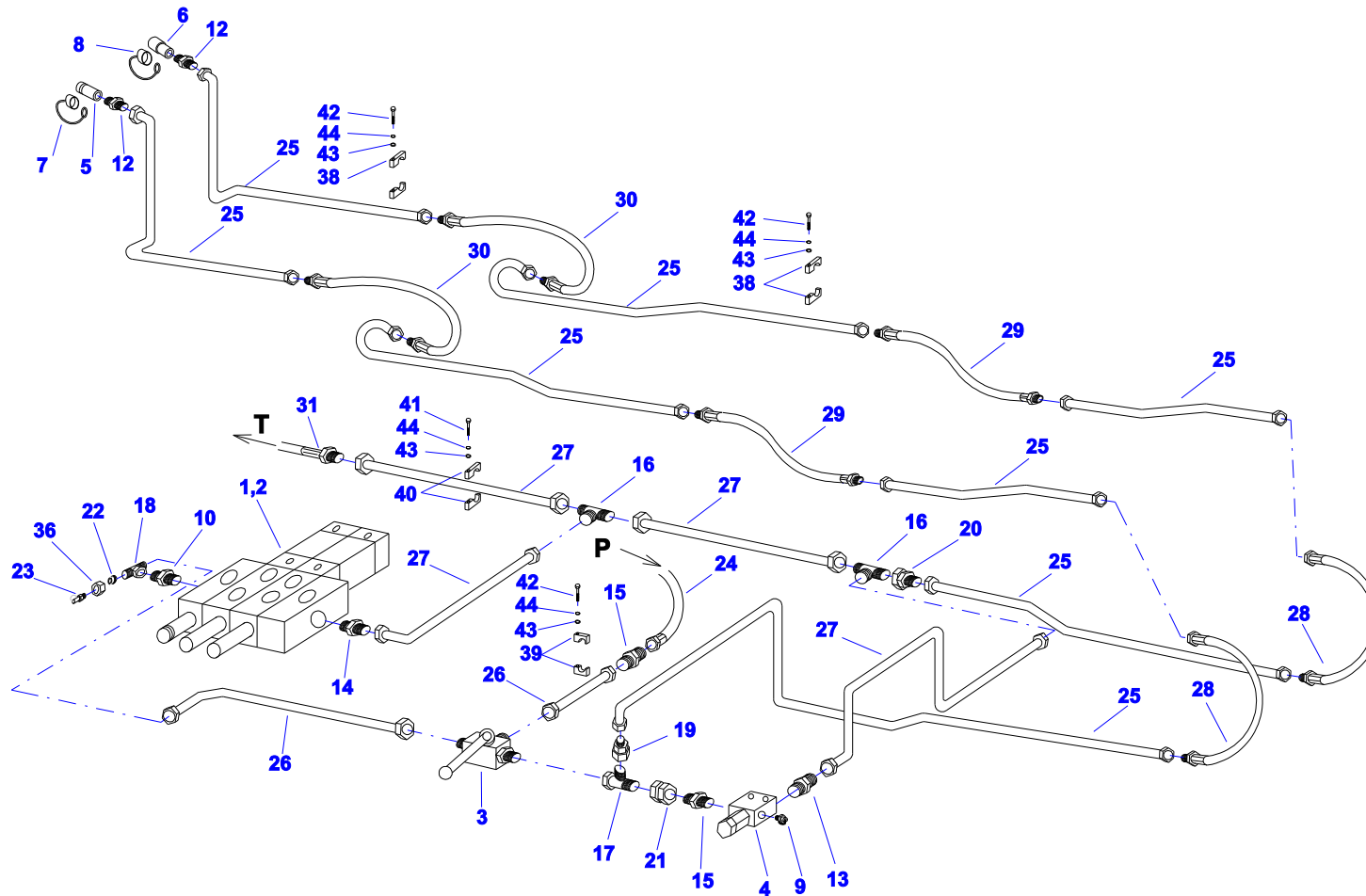
16 - HYDRAULIC LOOP - Hydrocontrol HC-NVD 2 - Hydraulic oil tank

Position	Part	Part no.	Standard, Dwg. no.	Pieces (m)
26.	Adjustable equal Tee	210750020	ELSD 15 L	1
27.	Adjustable male stud elbow	210730040	EWSD 15L	1
28.	Male stud coupling	210620060	GES15-LR-WD	1
29.	Test plug 15L	330660002	100-163	1
30.	Cap nut (for hydraulic pipe)	210600030	M 15 L	1
31.	Cap nut (for hydraulic pipe)	210600090	M 18 L	2
32.	Profile ring (for hydraulic pipe)	210610020	P-R 15 L	2
33.	Profile ring (for hydraulic pipe)	210610080	P-R 18 L	2
34.	Test connector	210800020	MA3/M10x1	1
35.	Hydraulic distributor	210070900	Hydrocontrol HC-NVD2/2 12 V	1
	Hydraulic distributor	210070920	Hydrocontrol HC-NVD2/2 24 V	1
	Hydraulic distributor	210070910	Hydrocontrol HC-NVD2/3 12 V	1
	Hydraulic distributor	210070930	Hydrocontrol HC-NVD2/3 24 V	1
36.	Banjo coupling with one-piece bolt	210720080	RSWS 18 LR-WD	1
37.	Hydraulic hose SIZE 10 DN 16	210031240	GH6631SN10 1A16DL10/1A16DLB10 -370	1
	Hydraulic hose SIZE 10 DN 16	210031250	GH6631SN10 1A16DLB10/1A16DK10-900	1
	Hydraulic hose SIZE 10 DN 16	210031340	GH6631SN10 1A16DL10/1A16DK10-1000	1
	Hydraulic hose SIZE 10 DN 16	210031728	GH6631SN10 1A16DL10/1A16DLB10-2500	1
38.	Male stud coupling	210620340	GES 18 L/R ³ / ₄ -WD	1
39.	Male stud coupling	210620090	GES 8 LR-WD	1
40.	Hydraulic hose SIZE-4 DN-6	210030820	GH 663 1SN-4 1A6DL4/1A6DLB4 L=2500	1
	Hydraulic hose SIZE-4 DN-6	210031580	GH 663 1SN-4 1A6DL4/1A6DLB4 L=5500	1
41.	Male stud coupling	210620110	GES 12 L/M22x1,5-WD	1
42.	Reducing fitting	210760100	RESDS 12/8L	1
43.	Clip	210810100	TR Ø16 TP15	8
44.	Clip	210810090	TR Ø18 TP18	8
45.	Brace L	340290004	20-633-3	1

16 - HYDRAULIC LOOP - Hydrocontrol HC-NVD 2 - Hydraulic oil tank



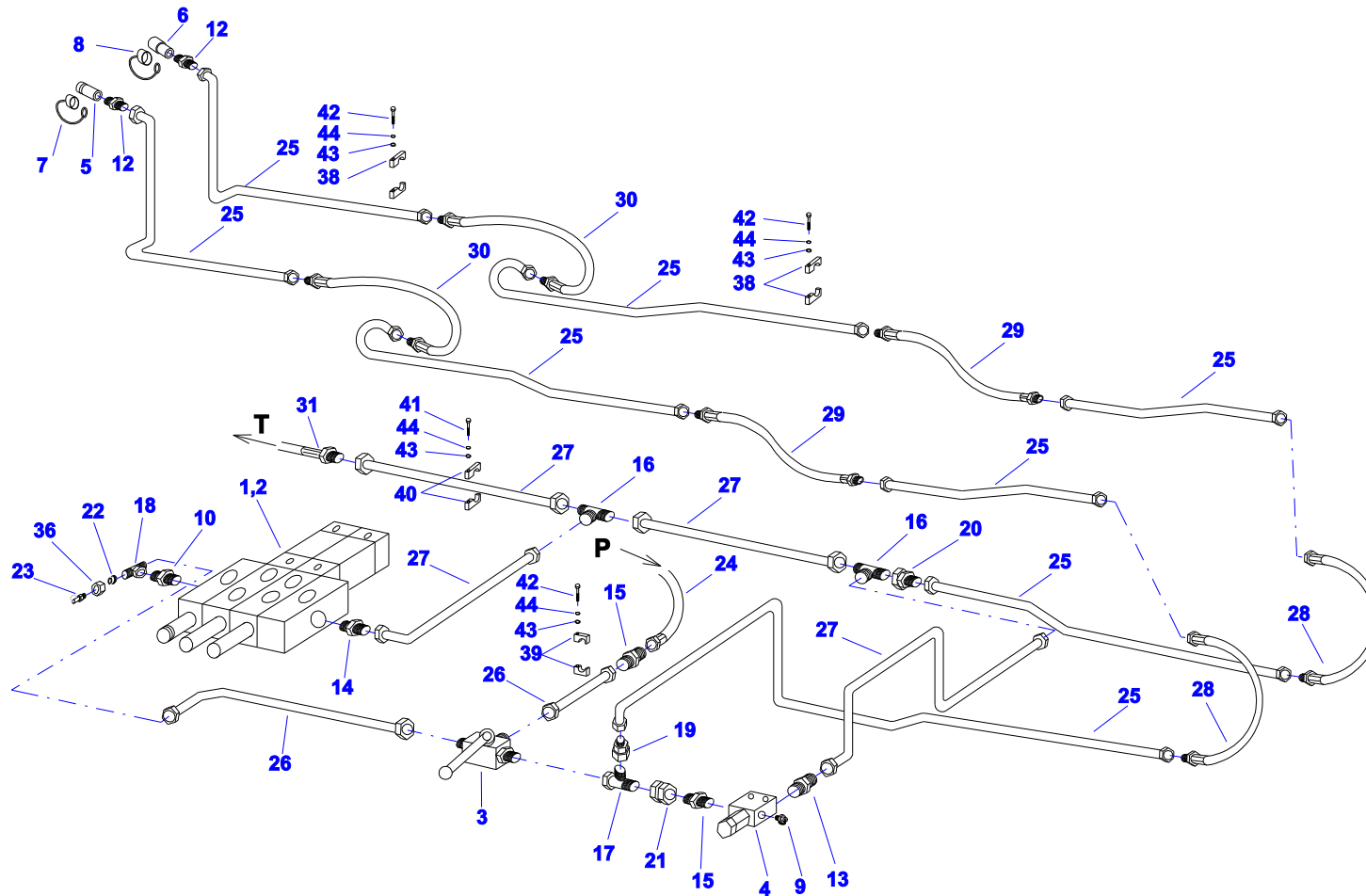
17 - HYDRAULIC LOOP - quick connect couplings C



17 - HYDRAULIC LOOP - quick connect couplings C

Position	Part	Part no.	Standard, Dwg. no.	Pieces (m)
1.	Hydraulic distributor	210070970	BUCHER HDM 11S/2 pneu	1
2.	Hydraulic distributor	210071000	BUCHER HDM 11S/3 pneu	1
3.	Three-way ball valve	210220010	BK-EM 15L	1
4.	Direct acting relief valves with differential piston	210100530	Oil Control VSDC-50 05.12.01-03-03-35	1
5.	Quick connect couplings	210120290	DN 12 IG $1/2$ M	1
6.	Quick connect couplings	210120280	DN 12 IG $1/2$ F	1
7.	Case - quick connect couplings	210120291	DN 12 M	1
8.	Case - quick connect couplings	210120281	DN 12 F	1
9.	Test connector	210800010	MA3/ R $1/4$	1
10.	Male stud coupling	210620210	GES 15L/R3/8-WD	1
11.	Male stud coupling	210620060	GES 15 LR-WD	1
12.	Male stud coupling	210620050	GES 12 L/R $1/2$ -WD	2
13.	Male stud coupling	210620170	GES 18 LR-WD	1
14.	Male stud coupling	210620390	GE 18 LR3/8	1
15.	Straight coupling 15 L	210660040	GS 15 L	1
16.	T- coupling T 18	210690050	TS 18 L	2
17.	Adjustable male stud Tee-stud barrel 15	210750020	ELSD 15 L	1
18.	Adjustable equal Tee 15L	210740040	ETSD 15 L	1
19.	Reducing fitting	210760040	RESDS 15/12 L	1
20.	Reducing fitting	210760110	RESDS 18/12 L	1
21.	Straight coupling	210790030	SNV 15 L	1
22.	Test plug 15 L	330660002	100-163	1
23.	Test connector	210800020	MA3/ M10x1	1
24.	Hydraulic hose SIZE 8 DN 12	210030200	GH 793 2SN8 1A12DLB8/1A12DL8 - 1150	1
	Hydraulic hose SIZE 8 DN 12	210031727	GH 793 2SN8 1A12DLB8/1A12DL8 - 2200	1
	Hydraulic hose SIZE 8 DN 12	210031260	GH 793 2SN8 1A12DLB8/1A12DK8 - 900	1
25.	Hydraulic pipe \varnothing 12x1,5	110410023	DIN 2391	20 m

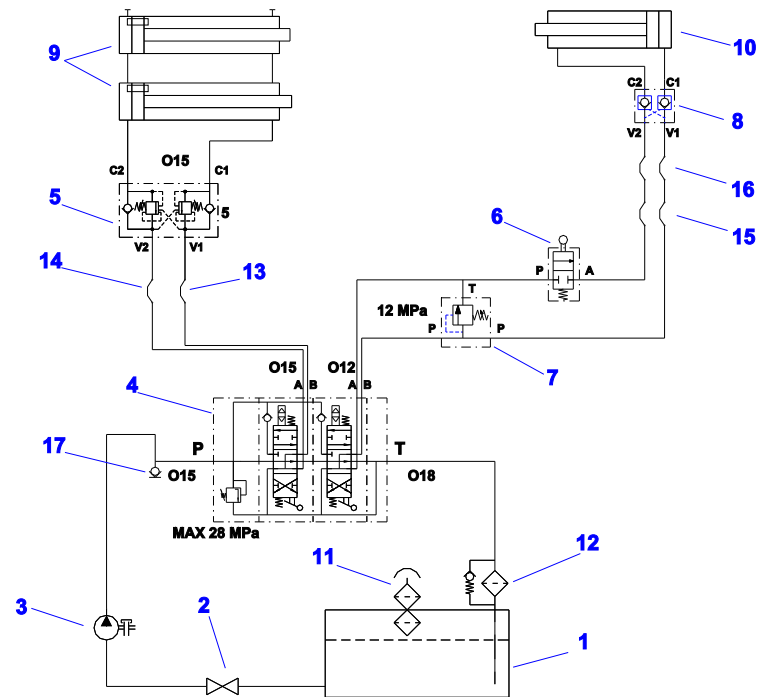
17 - HYDRAULIC LOOP - quick connect couplings C



17 - HYDRAULIC LOOP - quick connect couplings C

Position	Part	Part no.	Standard, Dwg. no.	Pieces (m)
26.	Hydraulic pipe $\varnothing 15 \times 1,5$	110410138	DIN 2391	2 m
27.	Hydraulic pipe $\varnothing 18 \times 1,5$	110410136	DIN 2391	3 m
28.	Hydraulic hose	210030230	GH 793 2 CS-6 1A10DK6 L=400	2
29.	Hydraulic hose	210031130	GH 793 2 CS-6 1A10DK6 L=650	2
30.	Hydraulic hose 06-33-S	210030140	GH 793 2 CS-6 1A10DK6 L=700	2
	Hydraulic hose 06-36-S	210030190	GH 793 2 CS-6 1A10DK6 L=800	2
	Hydraulic hose 06-39-S	210030150	GH 793 2 CS-6 1A10DK6 L=900	2
	Hydraulic hose 06-42-S	210030600	GH 793 2 CS-6 1A10DK6 L=1000	2
	Hydraulic hose 06-45-S	210031160	GH 793 2 CS-6 1A10DK6 L=1100	2
31.	Hydraulic hose SIZE 10 DN 16	210031240	GH6631SN10 1A16DL10/1A16DLB10 -370	1
	Hydraulic hose SIZE 10 DN 16	210031250	GH6631SN10 1A16DLB10/1A16DK10-900	1
	Hydraulic hose SIZE 10 DN 16	210031340	GH6631SN10 1A16DL10/1A16DK10-1000	1
	Hydraulic hose SIZE 10 DN 16	210031728	GH6631SN10 1A16DL10/1A16DLB10-2500	1
32.	Profile ring (for hydraulic pipe)	210610010	P-R 12 L/S	16
33.	Profile ring (for hydraulic pipe)	210610020	P-R 15 L	6
34.	Profile ring (for hydraulic pipe)	210610080	P-R 18 L	8
35.	Cap nut (for hydraulic pipe)	210600020	M 12 L	16
36.	Cap nut (for hydraulic pipe)	210600030	M 15 L	7
37.	Cap nut (for hydraulic pipe)	210600090	M 18 L	8
38.	Clip	210810010	TR $\varnothing 12$ TP12	50
39.	Clip	210810100	TR $\varnothing 16$ TP15	8
40.	Clip	210810090	TR $\varnothing 18$ TP18	8
41.	Bolt M6x50	120010050	ISO 4017	4
42.	Bolt M6x40	120010050	ISO 4017	28
43.	Pad 6,4	120090005	ISO 7089-70	30
44.	Pad 6	120090006	DIN 7980	30

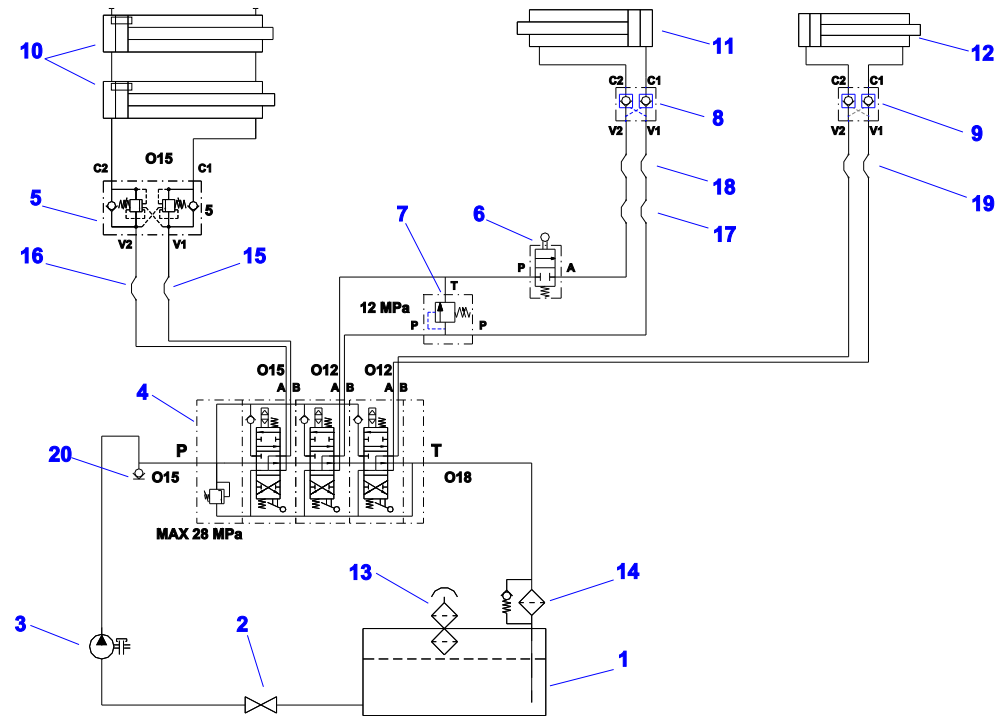
18 - HYDRAULIC SCHEMA - Standard



18 - HYDRAULIC SCHEMA - Standard

Position	Part	Part no.	Standard, Dwg. no.	Pieces (m)
1.	Hydraulic oil tank 40 l : upper block	210010060	G 1¼"	1
2.	Ball valve 1¼"	251000072	-	1
3.	Hydraulic pump	-	35 l	1
4.	Hydraulic distributor	210070970	BUCHER HDM 11S/2 pneu	1
5.	DPA – overcentre valve	210100140	OilControl VBSO-DE-CC 05.42.05.10.03.35	1
6.	Spool diverter valves	351590002	WALVOIL DF5-2NC-17-C - pulley	1
7.	Safety valve	210100700	OilControl VCS-30 05.13.01-03-02-35	1
8.	Check valve	210110050	OilControl VSO-DE-CBF 05.53.02.10.03.00	1
9.	Hydraulic cylinder 06-33-S	210081010	Ø110/56-1100V (28 MPa, M22x1,5)	2
	Hydraulic cylinder 06-36-S	210081020	Ø110/56-1200V (28 MPa, M22x1,5)	2
	Hydraulic cylinder 06-39-S	210081030	Ø110/56-1300V (28 MPa, M22x1,5)	2
	Hydraulic cylinder 06-42-S	210081040	Ø110/56-1400V (28 MPa, M22x1,5)	2
	Hydraulic cylinder 06-45-S	210081050	Ø110/56-1500V (28 MPa, M22x1,5)	2
10.	Hydraulic cylinder 06-33-S	210080660	Ø80/45-700 (28 MPa)	1
	Hydraulic cylinder 06-36-S	210080670	Ø80/45-800 (28 MPa)	1
	Hydraulic cylinder 06-39-S	210080680	Ø80/45-900 (28 MPa)	1
	Hydraulic cylinder 06-42-S	210080690	Ø80/45-1000 (28 MPa)	1
	Hydraulic cylinder 06-45-S	210080700	Ø80/45-1100 (28 MPa)	1
11.	Filling neck, venting	210130010	MP Filtri TAP.90 FL10 A M 0 0 C120	1
12.	Reverse filter	210040330	MP Filtri MPF 100.3.A.G2 P10 NB	1
13.	Hydraulic hose I-650	210031725	GH 793 2SN 1A12DLB8/1A12DK8	1
14.	Hydraulic hose I-650	210031726	GH 793 2SN 1A12DL8/1A12DK8	1
15.	Hydraulic hose I-400	210030230	GH 793 2SN-6 1A10DK6	2
16.	Hydraulic hose I-640	210031080	GH 793 2SN-6 Banjo G ¹ / ₂ /1A10DK6	2
17.	Test connector	210800020	MA3/M10x1	1

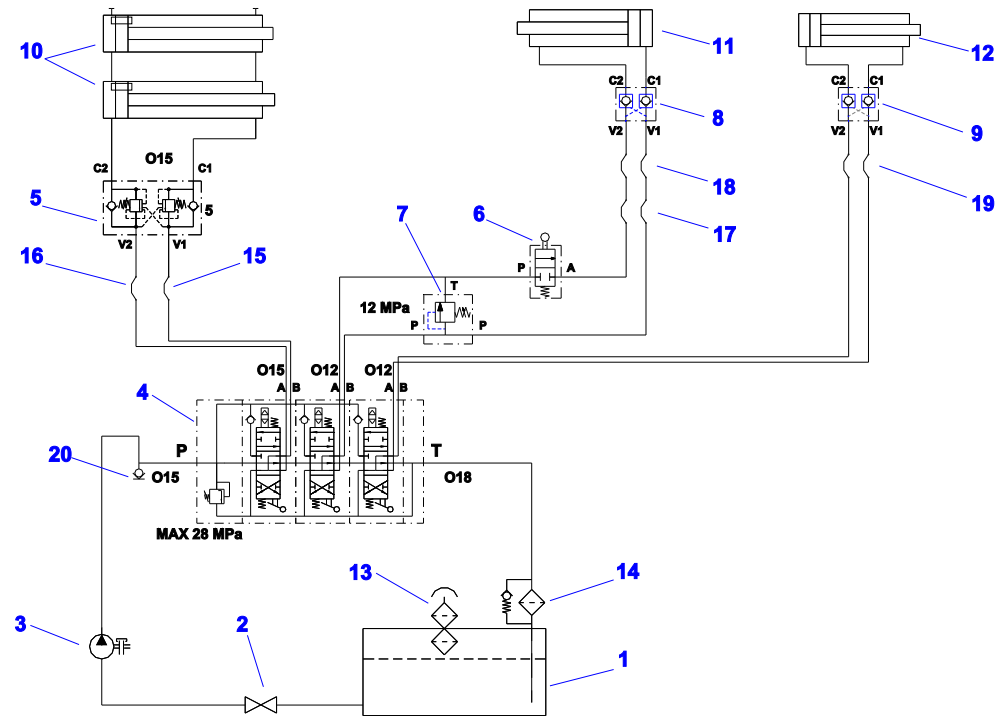
19 - HYDRAULIC SCHEMA - Outside/Inside locking container II.



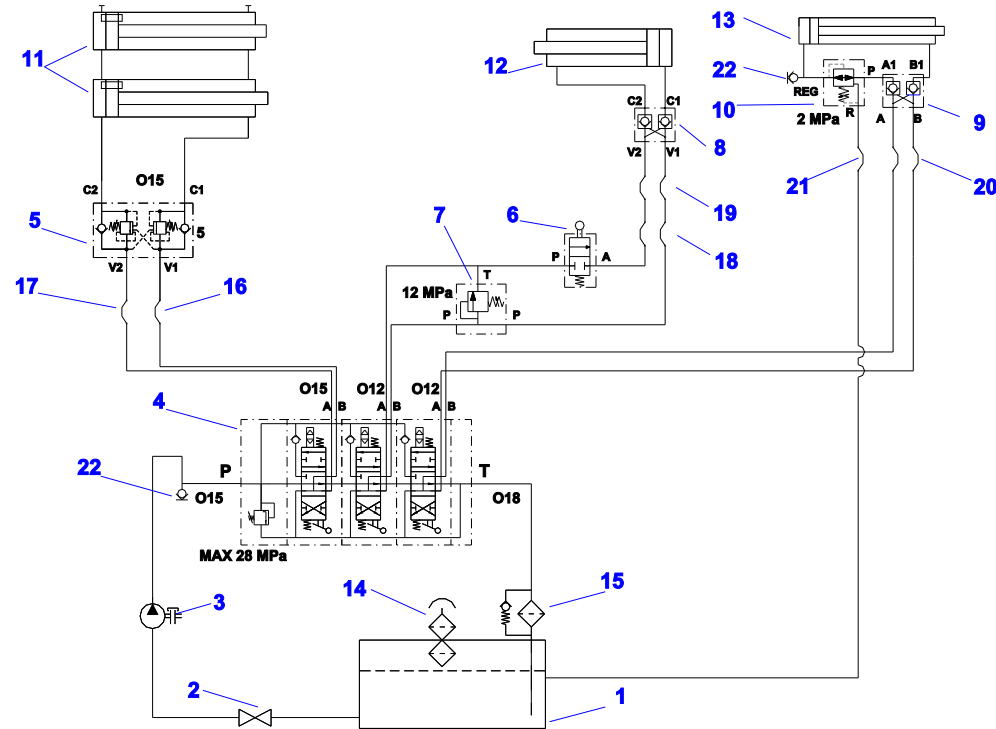
19 - HYDRAULIC SCHEMA - Outside/Inside locking container II.

Position	Part	Part no.	Standard, Dwg. no.	Pieces (m)
1.	Hydraulic oil tank 40 l : upper block	210010060	G 1¼"	1
2.	Ball valve 1¼"	251000072	-	1
3.	Hydraulic pump	-	35 l	1
4.	Hydraulic distributor	210071000	BUCHER HDM 11S/3 pneu	1
5.	DPA – overcentre valve	210100140	OilControl VBSO-DE-CC 05.42.05.10.03.35	1
6.	Spool diverter valves	351590002	WALVOIL DF5-2NC-17-C - pulley	1
7.	Safety valve	210100700	OilControl VCS-30 05.13.01.03.02.35	1
8.	Check valve	210110050	OilControl VSO-DE-CBF 05.53.02.10.03.00	1
9.	Check valve	210110080	VBPA 0612	1
10.	Hydraulic cylinder 06-33-S	210081010	Ø110/56-1100V (28 MPa, M22x1,5)	2
	Hydraulic cylinder 06-36-S	210081020	Ø110/56-1200V (28 MPa, M22x1,5)	2
	Hydraulic cylinder 06-39-S	210081030	Ø110/56-1300V (28 MPa, M22x1,5)	2
	Hydraulic cylinder 06-42-S	210081040	Ø110/56-1400V (28 MPa, M22x1,5)	2
	Hydraulic cylinder 06-45-S	210081050	Ø110/56-1500V (28 MPa, M22x1,5)	2
11.	Hydraulic cylinder 06-33-S	210080660	Ø80/45-700 (28 MPa)	1
	Hydraulic cylinder 06-36-S	210080670	Ø80/45-800 (28 MPa)	1
	Hydraulic cylinder 06-39-S	210080680	Ø80/45-900 (28 MPa)	1
	Hydraulic cylinder 06-42-S	210080690	Ø80/45-1000 (28 MPa)	1
	Hydraulic cylinder 06-45-S	210080700	Ø80/45-1100 (28 MPa)	1
12.	Hydraulic cylinder	210080900	Ø50/30-300 (28 MPa, M16x1,5)	1
13.	Filling neck, venting	210130010	MP Filtri TAP.90 FL10 A M 0 0 C120	1
14.	Reverse filter	210040330	MP Filtri MPF 100.3.A.G2 P10 NB	1
15.	Hydraulic hose L=650	210031725	GH 793 2SN 1A12DLB8/1A12DK8	1
16.	Hydraulic hose L=650	210031726	GH 793 2SN 1A12DL8/1A12DK8	1
17.	Hydraulic hose L=400	210030230	GH 793 2SN-6 1A10DK6	2
18.	Hydraulic hose L=640	210031080	GH 793 2SN-6 Banjo G ¹ / ₂ /1A10DK6	2

19 - HYDRAULIC SCHEMA - Outside/Inside locking container II.



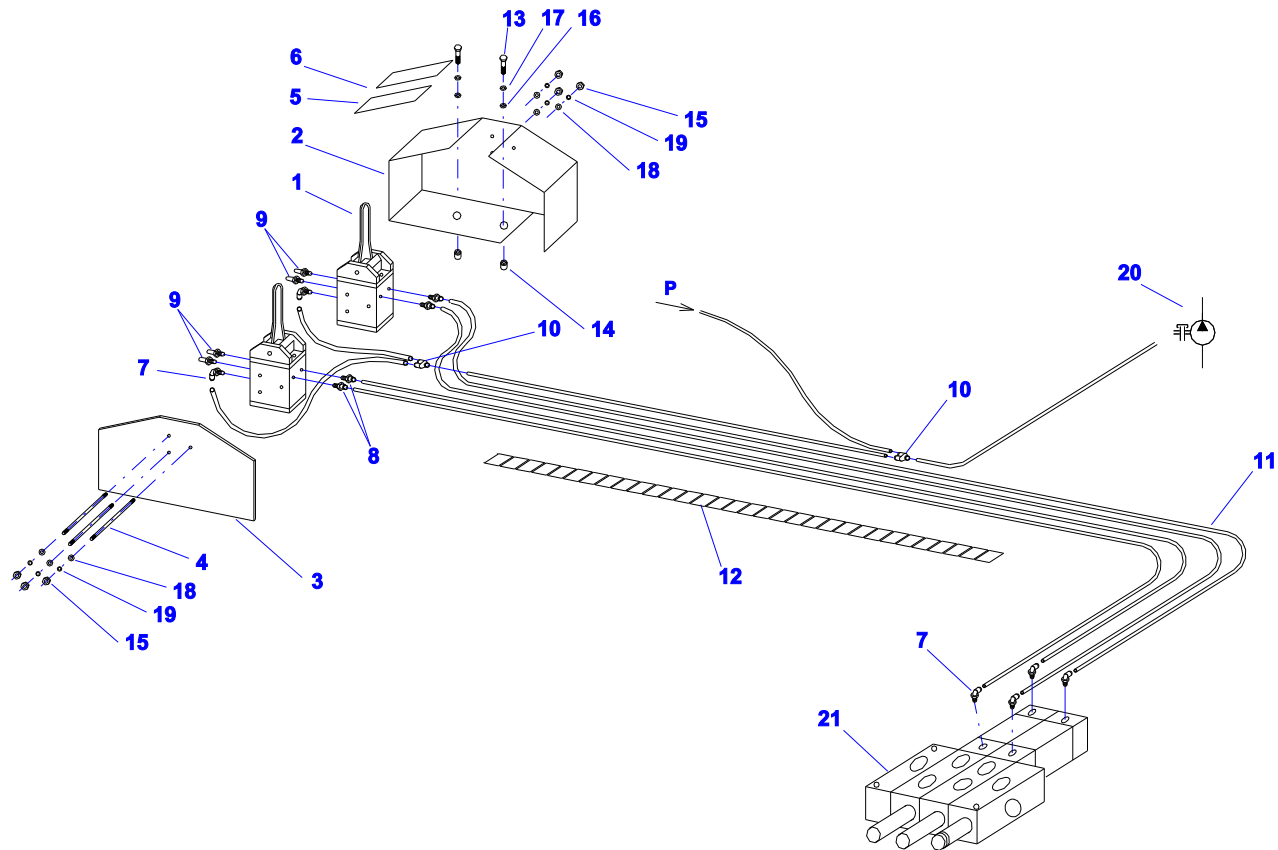
20 - HYDRAULIC SCHEMA - Inside locking container II. : version G II.
width 1060/1100



20 - HYDRAULIC SCHEMA - Inside locking container II. :
version G II. width 1060/1100

Position	Part	Part no.	Standard, Dwg. no.	Pieces (m)
1.	Hydraulic oil tank 40 l : upper block	210010060	G 1¼"	1
2.	Ball valve 1¼"	251000072	-	1
3.	Hydraulic pump	-	35 l	1
4.	Hydraulic distributor	210071000	BUCHER HDM 11S/3 pneu	1
5.	DPA – overcentre valve	210100140	OilControl VBSO-DE-CC 05.42.05.10.03.35	1
6.	Spool diverter valves	351590002	WALVOIL DF5-2NC-17-C - pulley	1
7.	Safety valve	210100700	OilControl VCS-30 05.13.01.03.02.35	1
8.	Check valve	210110010	OilControl VSO-DE 05.53.01-10-03-01-00A	1
9.	Check valve	210110080	VBPDA 0612	1
10.	Reducing valve	210070750	OilControl VRP-R 05.90.27-04-02-10	1
11.	Hydraulic cylinder 06-33-S	210081010	Ø110/56-1100V (28 MPa, M22x1,5)	2
12.	Hydraulic cylinder 06-33-S	210080660	Ø80/45-700 28 MPa	1
13.	Hydraulic cylinder	210080900	Ø50/30-300 (28 MPa, M16x1,5)	1
14.	Filling neck, venting	210130010	MP Filtri TAP.90 FL10 A M 0 0 C120	1
15.	Reverse filter	210040330	MP Filtri MPF 100.3.A.G2 P10 NB	1
16.	Hydraulic hose	210031725	GH 793 2SN 1A12DLB8/1A12DK8	1
17.	Hydraulic hose	210031726	GH 793 2SN 1A12DL8/1A12DK8	1
18.	Hydraulic hose	210030230	GH 793 2SN-6 1A10DK6 L=400	2
19.	Hydraulic hose	210031080	GH 793 2SN-6 Banjo G½/1A10DK6 L=640	2
20.	Hydraulic hose	210031540	GH 793 2SN-4 1A6DL4/1A6DLB4 L=600	2
21.	Hydraulic hose	210031580	GH 663 1SN-4 1A6DL4/1A6DLB4 L=5500	1
	Hydraulic hose	210031590	GH 663 1SN-4 1A6DL4/1A6DLB4 L=7000	1
22.	Test connector	210800020	MA3/ M10x1	2

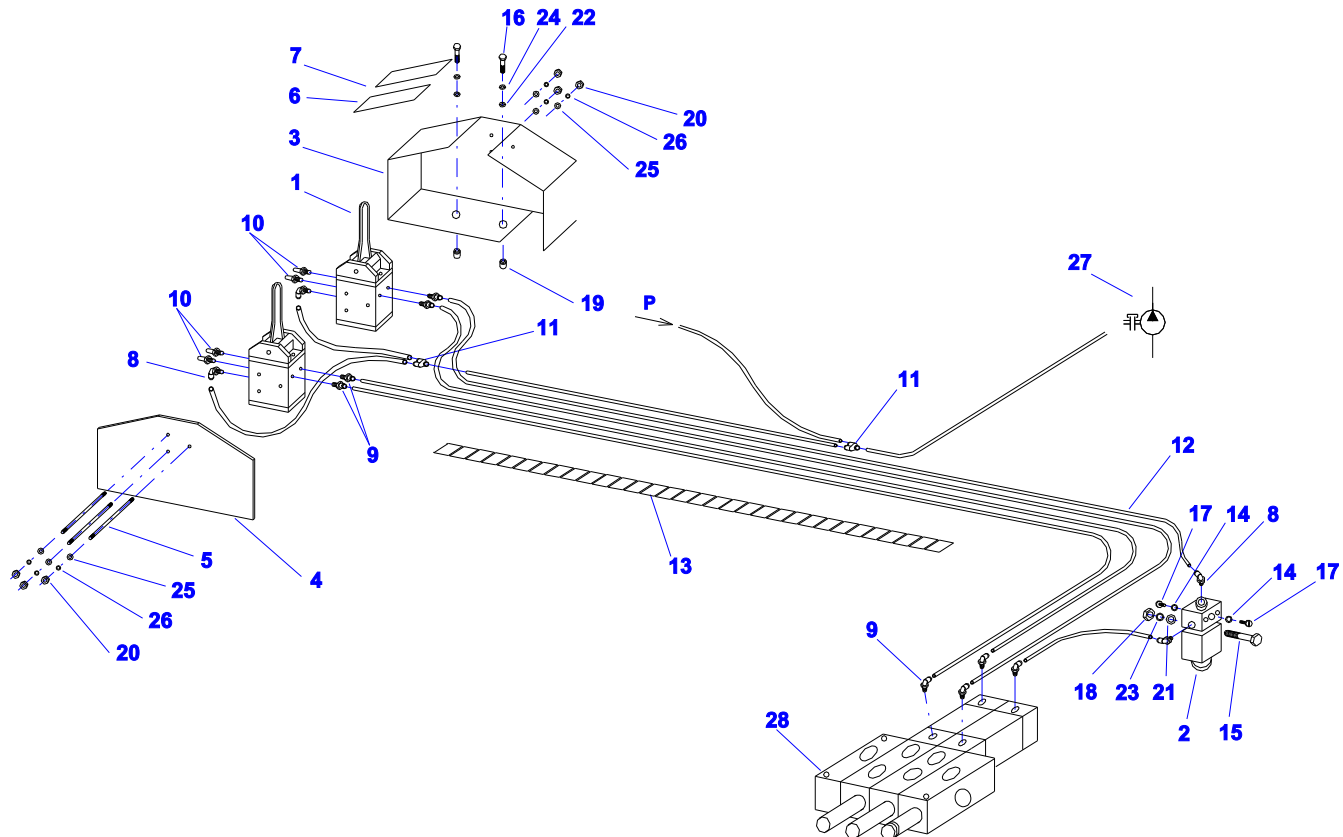
21 - PNEUMATIC LOOP - Standard



21 - PNEUMATIC LOOP - Standard

Position	Part	Part no.	Standard, Dwg. no.	Pieces (m)
1.	Pneumatic controller ON-OFF	210180190	PNEUMAX 228.53.31.99/1	2
2.	Block holder ON-OFF-2	310320001	20-710-3	1
3.	Plate	310030048	20-713-4	1
4.	Bolt M4x75	321230018	20-718-4	3
5.	Sticker - Main arm Frame	330690004	79-113-4	1
6.	Sticker - Sliding Arm	330690002	79-111-4	1
7.	Screw-coupling	220610010	PNEUMAX PL 06-01 G ¹ / ₈ -Ø6	6
8.	Screw connection socket	220640010	PNEUMAX PC 06-01 G ¹ / ₈ -Ø6	4
9.	Silencer	220100010	PNEUMAX SBE 18 G ¹ / ₈	4
10.	Y -coupling	220620010	PNEUMAX PY 06	2
11.	Tube PA 6	220020020	PA 6	35m
12.	Spiral PE-LD	241080010	dr.1051 17/21mm TP 5-374-95 -0013	6 m
13.	Bolt M6x40	120010050	ISO 4014	2
14.	Nut M6	120020051	AVDEL	2
15.	Nut M4	120020016	ISO 4032	6
16.	Pad 6,4	120090005	ISO 7089-70	2
17.	Pad 6	120090006	DIN 7980	2
18.	Pad 4,3	120090034	ISO 7089-70	6
19.	Pad 4	120090035	DIN 6798	6
20.	Hydraulic pump	-	35 l	1
21.	Hydraulic distributor	210070210	Hydrocontrol HC-D10/2 pneumatic	1

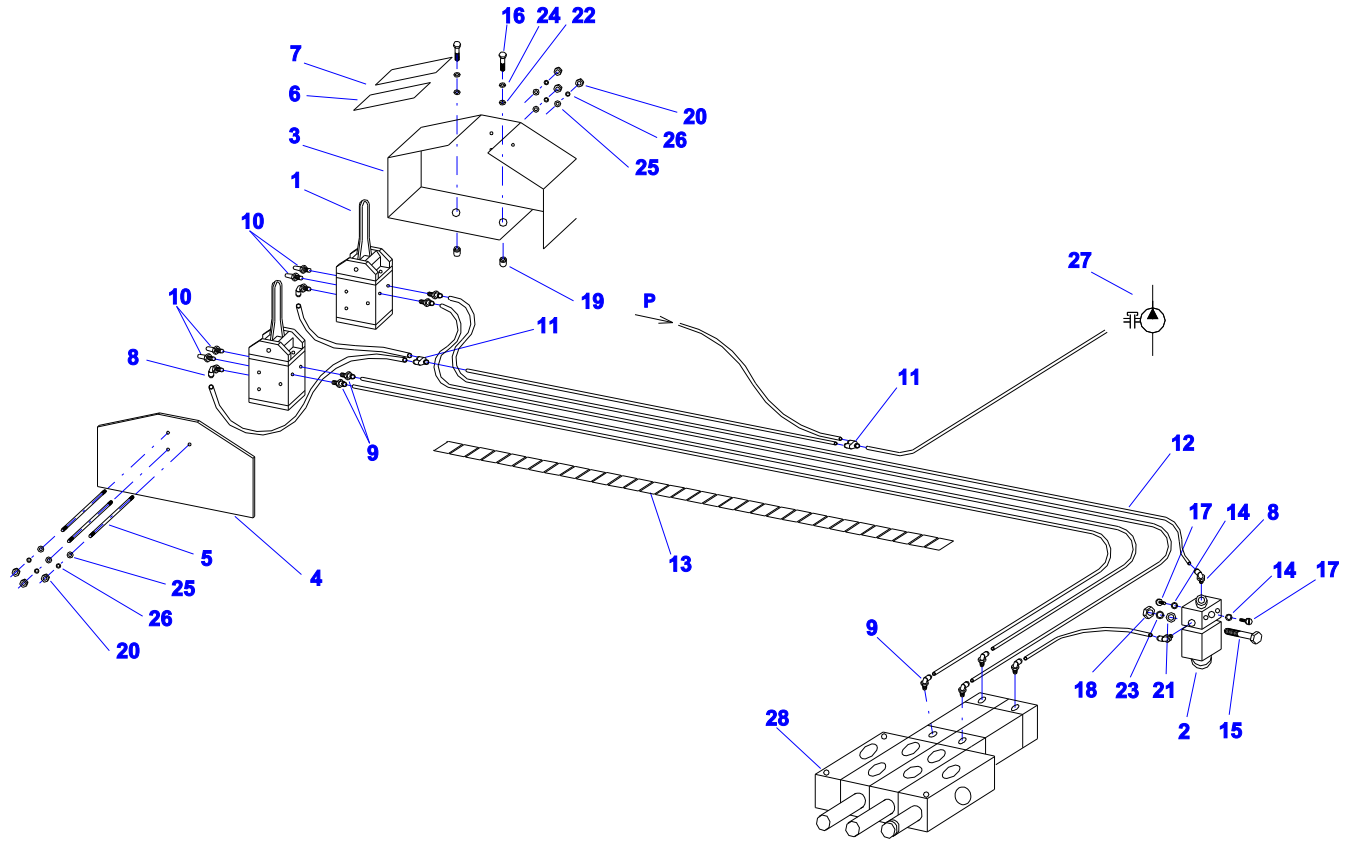
22 - PNEUMATIC LOOP - Blocking containers CTS/DIN



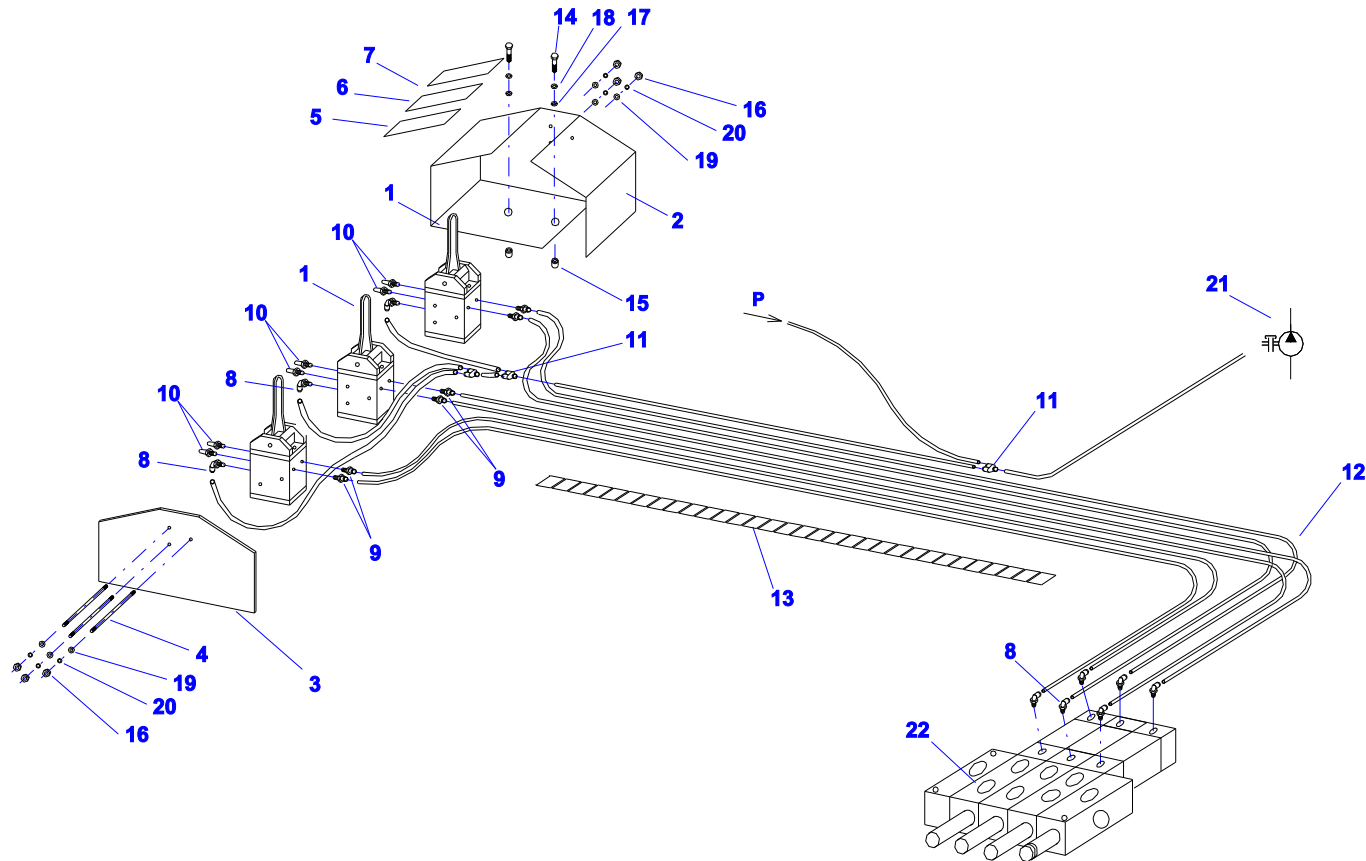
22 - PNEUMATIC LOOP - Blocking containers CTS/DIN

Position	Part	Part no.	Standard, Dwg. no.	Pieces (m)
1.	Pneumatic controller ON-OFF	210180190	PNEUMAX 228.53.31.99/1	2
2.	Pneumatic valve 3/2	220080040	AIR ČENKOV EV-10 M10x1 (WABCO)	1
3.	Block holder ON-OFF-2	341580003	20-720-3	1
4.	Plate	310030050	20-723-4	1
5.	Bolt M4x75	321230018	20-718-4	3
6.	Sticker - Main arm Frame	330690004	79-013-4	1
7.	Sticker - Sliding Arm	330690002	79-011-4	1
8.	Screw-coupling	220610010	PNEUMAX PL 06-01 G ¹ / ₈ -Ø6	8
9.	Screw connection socket	220640010	PNEUMAX PC 06-01 G ¹ / ₈ -Ø6	4
10.	Silencer	220100010	PNEUMAX SBE 18 G ¹ / ₈	4
11.	Y -coupling	220620010	PNEUMAX PY 06	2
12.	Tube PA 6	220020020	PA 6	35m
13.	Spiral PE-LD	241080010	dr.1051 17/21mm TP 5-374-95 -0013	6 m
14.	Pad Cu	210450210	10x6x1	2
15.	Bolt M8x50	120010071	ISO 4014	2
16.	Bolt M6x40	120010050	ISO 4014	2
17.	Bolt M6x8	120010337	ISO 1207	2
18.	Nut M8	120020019	ISO 4032	2
19.	Nut M6	120020051	AVDEL	2
20.	Nut M4	120020016	ISO 4032	6
21.	Pad 8,4	120090017	ISO 7089-70	4
22.	Pad 6,4	120090005	ISO 7089-70	2
23.	Pad 8	120090038	DIN 127	2
24.	Pad 6	120090006	DIN 127	2
25.	Pad 4,3	120090034	ISO 7089-70	6
26.	Pad 4	120090035	DIN 6798	6
27.	Hydraulic pump	-	35 l	1

22 - PNEUMATIC LOOP - Blocking containers CTS/DIN



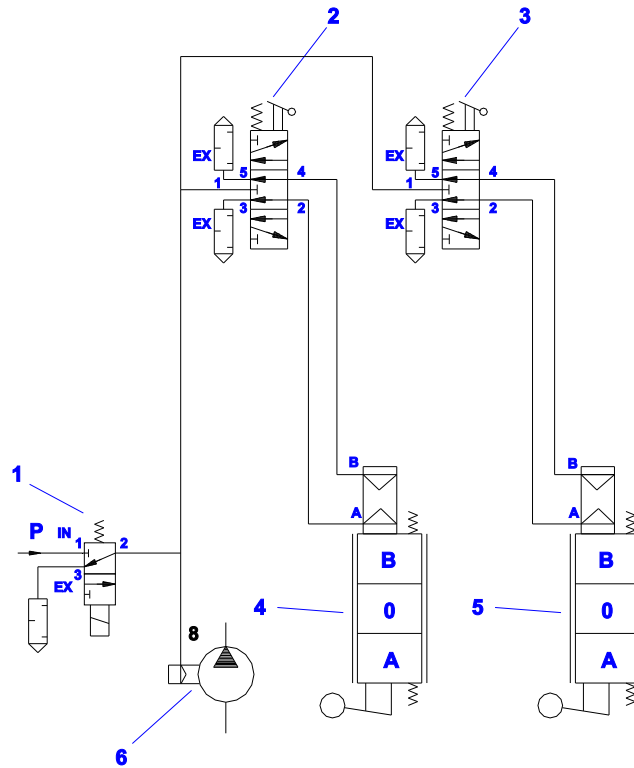
23 - PNEUMATIC LOOP - Outside/Inside locking container II.



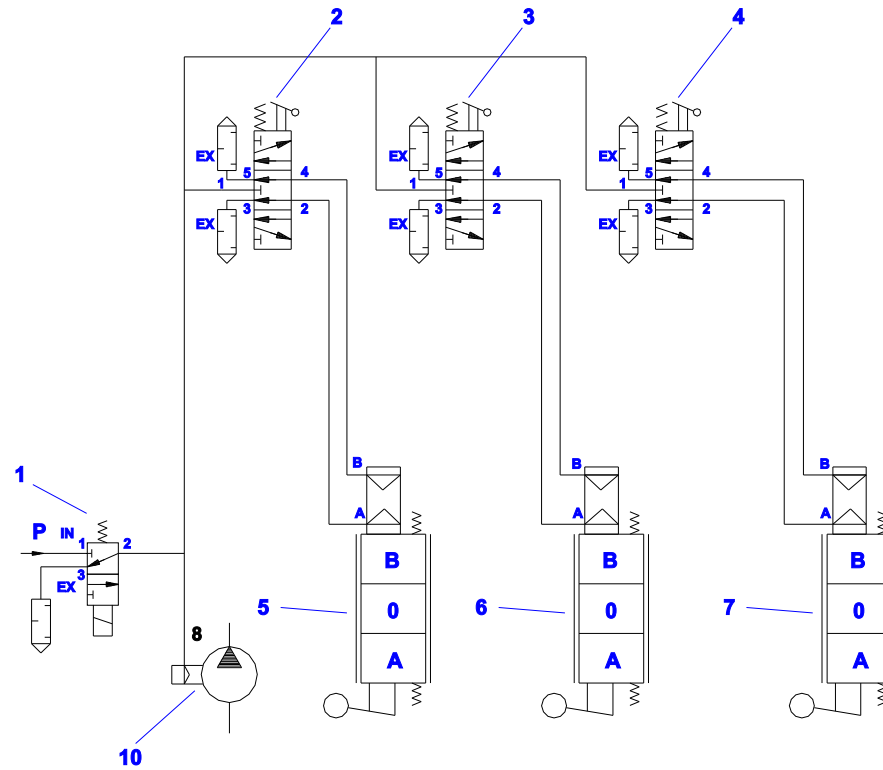
23 - PNEUMATIC LOOP - Outside/Inside locking container II.

Position	Part	Part no.	Standard, Dwg. no.	Pieces (m)
1.	Pneumatic controller ON-OFF	210180190	PNEUMAX 228.53.31.99/1	3
2.	Block holder ON-OFF-3	341580002	20-711-3	1
3.	Plate	310030048	20-713-4	1
4.	Bolt M4x105	321230019	20-719-4	3
5.	Sticker - Main arm Frame	330690004	79-013-4	1
6.	Sticker - Sliding Arm	330690002	79-011-4	1
7.	Sticker - Outside locking	330690005	79-014-4	1
	Sticker - Inside locking	330690006	79-015-4	1
8.	Screw-coupling	220610010	PNEUMAX PL 06-01 G ¹ / ₈ -Ø6	9
9.	Screw connection socket	220640010	PNEUMAX PC 06-01 G ¹ / ₈ -Ø6	6
10.	Silencer	220100010	PNEUMAX SBE 18 G ¹ / ₈	6
11.	Y -coupling	220620010	PNEUMAX PY 06	3
12.	Tube PA 6	220020020	PA 6	49 m
13.	Spiral PE-LD	241080010	dr.1051 17/21mm TP 5-374-95 -0013	6 m
14.	Bolt M6x40	120010050	ISO 4014	2
15.	Nut M6	120020051	AVDEL	2
16.	Nut M4	120020016	ISO 4032	6
17.	Pad 6,4	120090005	ISO 7089-70	2
18.	Pad 6	120090006	DIN 7980	2
19.	Pad 4,3	120090034	ISO 7089-70	6
20.	Pad 4	120090035	DIN 6798	6
21.	Hydraulic pump	-	35 l	1
22.	Hydraulic distributor	210071000	BUCHER HDM 11S/3 pneu	1

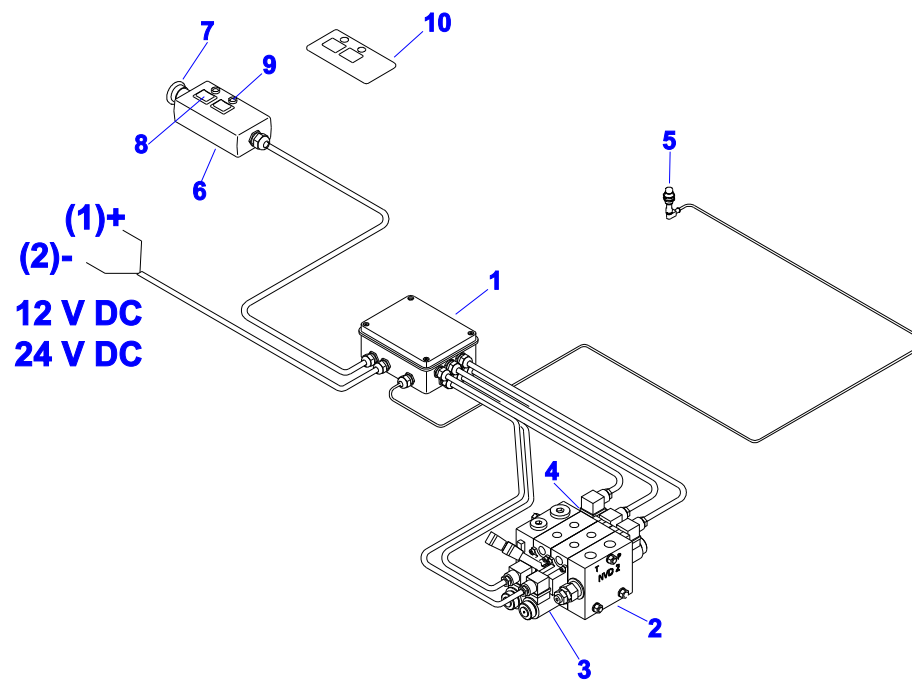
24 - PNEUMATIC SCHEMA - Standard



26 - PNEUMATIC SCHEMA - Outside/Inside locking container II.

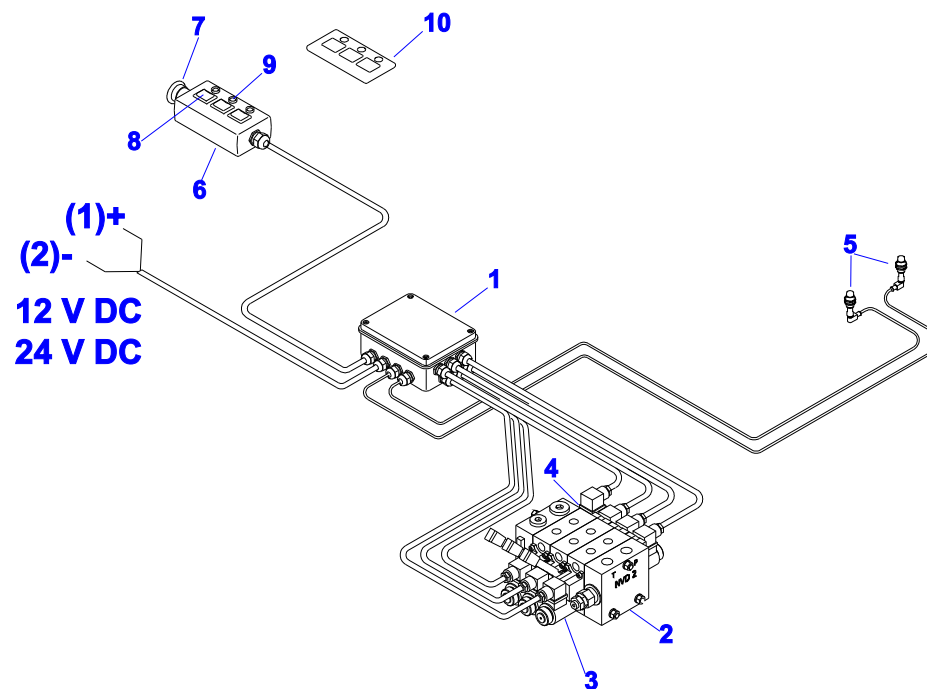


27 - ELECTRIC LOOP - 2 SECTION



27 - ELECTRIC LOOP - 2 SECTION

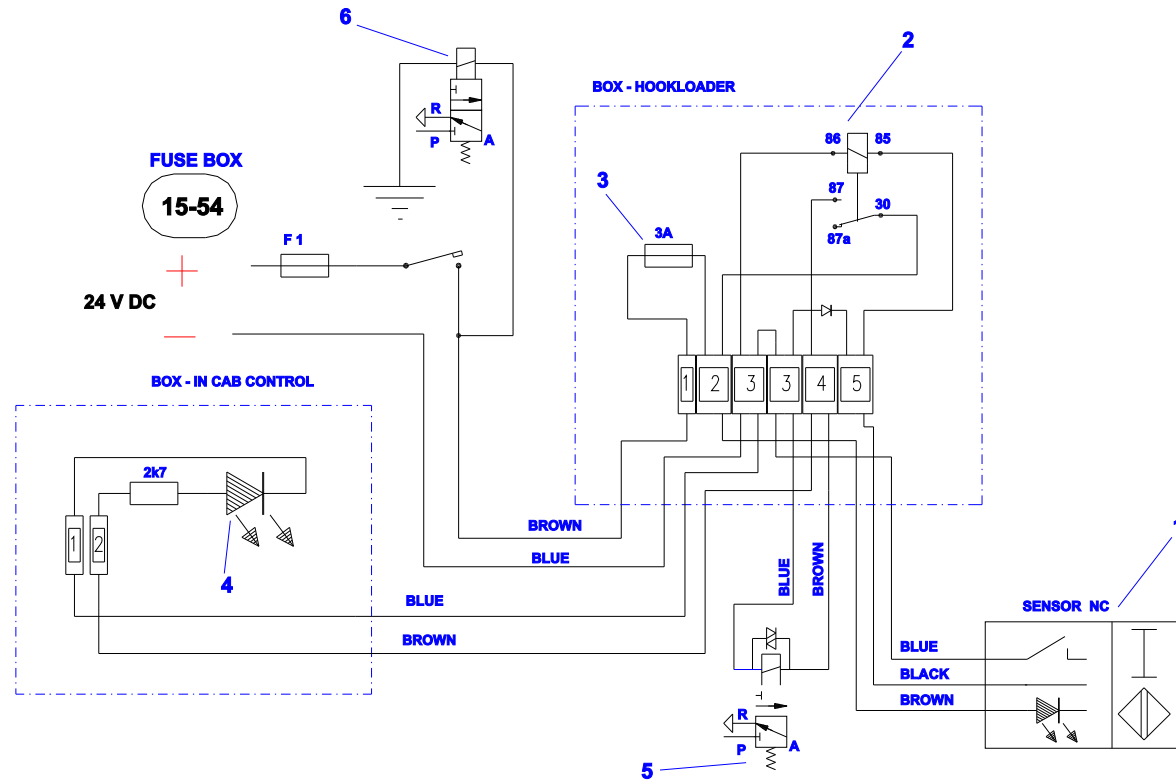
Position	Part	Part no.	Standard, Dwg. no.	Pieces (m)
1.	Box	only on request	TABOX Polystyren150x80x45	1
2.	Hydraulic distributor	210070910	Hydrocontrol HC-NVD2/3 12 V	1
	Hydraulic distributor	210070930	Hydrocontrol HC-NVD2/3 24 V	1
3.	Coil working section	210070901	12V 36 W NEM	2
	Coil working section	210070921	24V 36 W NEM	2
4.	Coil bypas STOP	210070902	12V 24 W NEM	1
	Coil bypas STOP	210070922	24V 24 W NEM	1
5.	Proximity switch NO	210400120	1A18ASN14 POM1 Carlo Gavazzi	1
	Proximity switch NO/NC	230400110	IFM IG 5846	1
6.	Cab control panel (body)	230280100	TABOX 80x56x120	1
7.	Emergency STOP switch Ø40 / Ø22	230240070	Telemecanique YB5 AS844	1
8.	Button rocker 1 - 0 - 1	230140070	1839 1407	2
9.	Diode LED	-	Ø8 - L799EGW, green / red	2
10.	Sticker panel	-	PONECO	1
	Fuse knife-blade-contakt	230320030	10A	
	Holder of knife-blade-contakdt fuse	230420030	-	
	Relay	230330040	BOSH 12 V DC	
	Relay	230330030	BOSH 24 V DC	
	Clamp spring	230300020	WAGO 1/1 grey 260-301	
	Clamp spring	230300050	WAGO 2/2 double blue 260-334	
	Clamp spring	230300030	WAGO 2/2 double grey 260-331	
	Clamp spring	230300040	WAGO end 260-361	
	Cable	230200190	CYLY 2x 0.75 D H03VV-F black	

28 - ELECTRIC LOOP - 3 SECTION

28 - ELECTRIC LOOP - 3 SECTION

Position	Part	Part no.	Standard, Dwg. no.	Pieces (m)
1.	Box	only on request	TABOX Polystyren150x80x45	1
2.	Hydraulic distributor	210070910	Hydrocontrol HC-NVD2/3 12 V	1
	Hydraulic distributor	210070930	Hydrocontrol HC-NVD2/3 24 V	1
3.	Coil working section	210070901	12V 36 W NEM	6
	Coil working section	210070921	24V 36 W NEM	6
4.	Coil bypas STOP	210070902	12V 24 W NEM	1
	Coil bypas STOP	210070922	24V 24 W NEM	1
5.	Proximity switch NO	210400120	1A18ASN14 POM1 Carlo Gavazzi	1
	Proximity switch NO/NC	230400110	IFM IG 5846	1
6.	Cab control panel (body)	230280100	TABOX 80x56x120	1
7.	Emergency STOP switch Ø40 / Ø22	230240070	Telemecanique YB5 AS844	1
8.	Button rocker 1 - 0 - 1	230140070	1839 1407	3
9.	Diode LED	-	Ø8 - L799EGW, green / red	3
10.	Sticker panel	-	PONECO	1
	Fuse knife-blade-contakt	230320030	10A	
	Holder of knife-blade-contakdt fuse	230420030	-	
	Relay	230330040	BOSH 12 V DC	
	Relay	230330030	BOSH 24 V DC	
	Clamp spring	230300020	WAGO 1/1 grey 260-301	
	Clamp spring	230300050	WAGO 2/2 double blue 260-334	
	Clamp spring	230300030	WAGO 2/2 double grey 260-331	
	Clamp spring	230300040	WAGO end 260-361	
	Cable	230200190	CYLY 2x 0.75 D H03VV-F black	

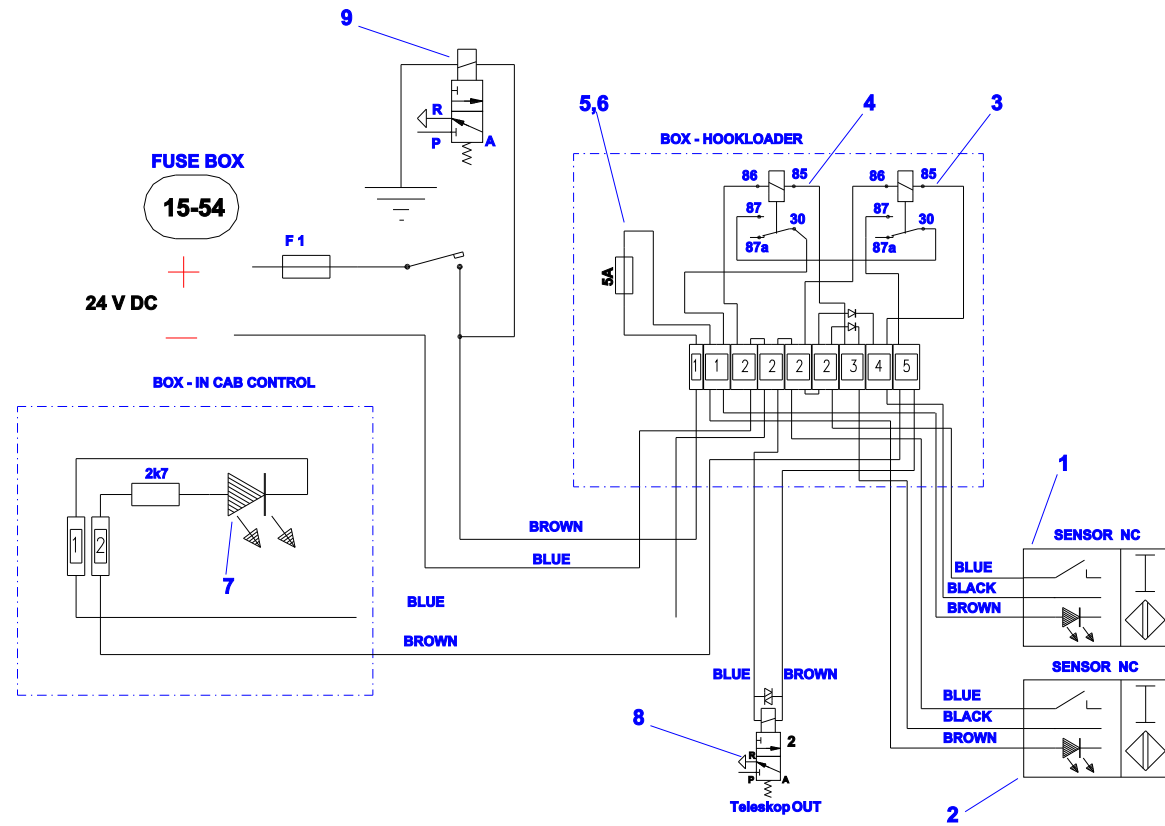
29 - ELECTRIC SCHEMA - Blocking containers CTS C3 /DIN



29 - ELECTRIC SCHEMA - Blocking containers CTS C3 /DIN

Position	Part	Part no.	Standard, Dwg. no.	Pieces (m)
1.	Proximity switch NC	230400080	SIEMENS 3RG4023-0AF33-ZB10	1
	Proximity switch NO/NC	230400110	IFM IG 5846	1
2.	Relay	230330030	BOSCH 24V DC	1
3.	Fuse	230320030	3A	1
	Contact holder	230420030	-	1
4.	Ligh-emitting diode	230580050	24V : red	1
5.	Pneumatic valve 3/2	220080040	AIR ČENKOV EV-10 M10x1 (WABCO)	1
6.	Pneumatic valve 3/2	-	PTO	1
	Box	230280040	GEVIS GW 44 206 150x110x70	
	Box - plate	310090233	69-635-4	
	Clamping connector - plate	310090234	69-636-4	
	Clamping connector	230300020	WAGO 1/1 grey 260-301	
	Clamping connector	230300050	WAGO 2/2 blue 260-334	
	Clamping connector	230300030	WAGO 2/2 grey 260-331	
	Clamping connector	230300040	WAGO terminal 260-361	
	Cabel	230200190	CYLY 2x 0.75 D H03VV-F black	
	Column	230600010	DA5 M3x20	
	Feed through	230460040	PG 9	
	Feed through	230460050	PG 7	
	Nut	231030020	PG 9	
	Nut	231030030	PG 7	

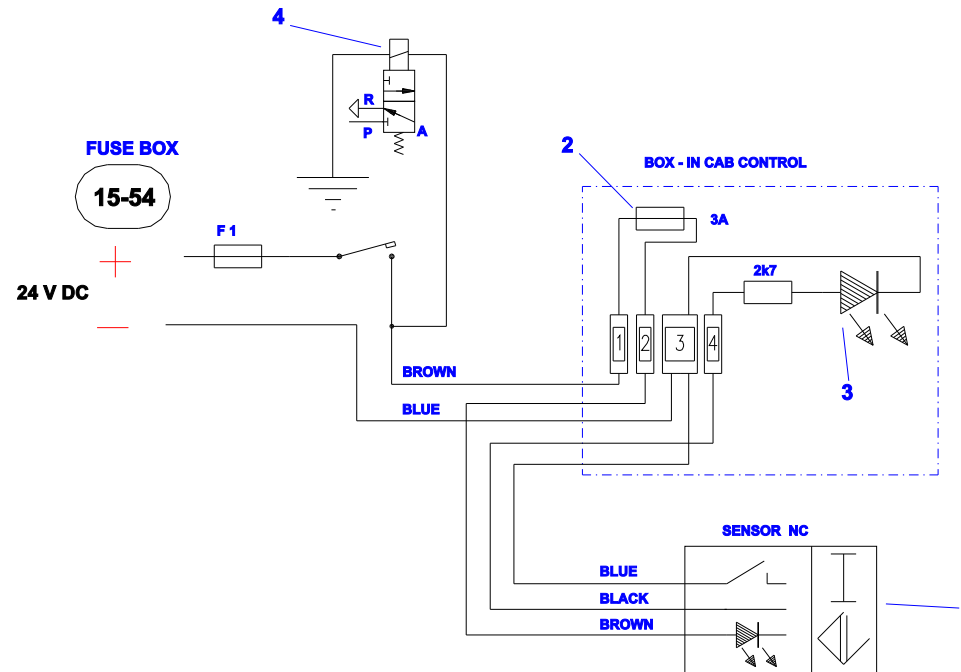
30 - ELECTRIC SCHEMA - Blocking containers CTS C2-38 + CTS C3



30 - ELECTRIC SCHEMA - Blocking containers CTS C2-38 + C3

Position	Part	Part no.	Standard, Dwg. no.	Pieces (m)
1.	Proximity switch NC - stop DIN	230400080	SIEMENS 3RG4023-0AF33-ZB10	1
	Proximity switch NO/NC	230400110	IFM IG 5846	1
2.	Proximity switch NC - stop CTS	230400080	SIEMENS 3RG4023-0AF33-ZB10	1
	Proximity switch NO/NC	230400110	IFM IG 5846	1
3.	Relay - stop DIN	230330030	BOSCH 24V DC	1
4.	Relay - stop CTS	230330030	BOSCH 24V DC	1
5.	Fuse	230320030	3A	1
6.	Contact holder	230420030	-	1
7.	Ligh-emitting diode	230580050	24V : red	1
8.	Pneumatic valve 3/2	220080040	AIR ČENKOV EV-10 M10x1 (WABCO)	1
9.	Pneumatic valve 3/2	-	PTO	1
	Box	230280040	GEVIS GW 44 206 150x110x70	
	Box - plate	310090233	69-635-4	
	Clamping connector - plate	310090234	69-636-4	
	Clamping connector	230300020	WAGO 1/1 grey 260-301	
	Clamping connector	230300050	WAGO 2/2 blue 260-334	
	Clamping connector	230300030	WAGO 2/2 grey 260-331	
	Clamping connector	230300040	WAGO terminal 260-361	
	Cabel	230200190	CYLY 2x 0.75 D H03VV-F black	
	Column	230600010	DA5 M3x20	
	Feed through	230460040	PG 9	
	Feed through	230460050	PG 7	
	Nut	231030020	PG 9	
	Nut	231030030	PG 7	

31 - ELECTRIC SCHEMA - Outside/Inside locking container II.



31 - ELECTRIC SCHEMA - Outside/Inside locking container II.

Position	Part	Part no.	Standard, Dwg. no.	Pieces (m)
1.	Proximity switch NC	230400080	SIEMENS 3RG4023-0AF33-ZB10	1
2.	Fuse	230320030	3A	1
	Contact holder	230420030	-	1
3.	Ligh-emitting diode	230580050	24V red + socket compl.	1
4.	Pneumatic valve 3/2	-	PTO	1
	Clamping connector	230300020	WAGO 1/1 grey 260-301	
	Clamping connector	230300050	WAGO 2/2 blue 260-334	
	Clamping connector	230300030	WAGO 2/2 grey 260-331	
	Clamping connector	230300040	WAGO terminal 260-361	
	Cabel	230200190	CYLY 2x 0.75 D H03VV-F black	