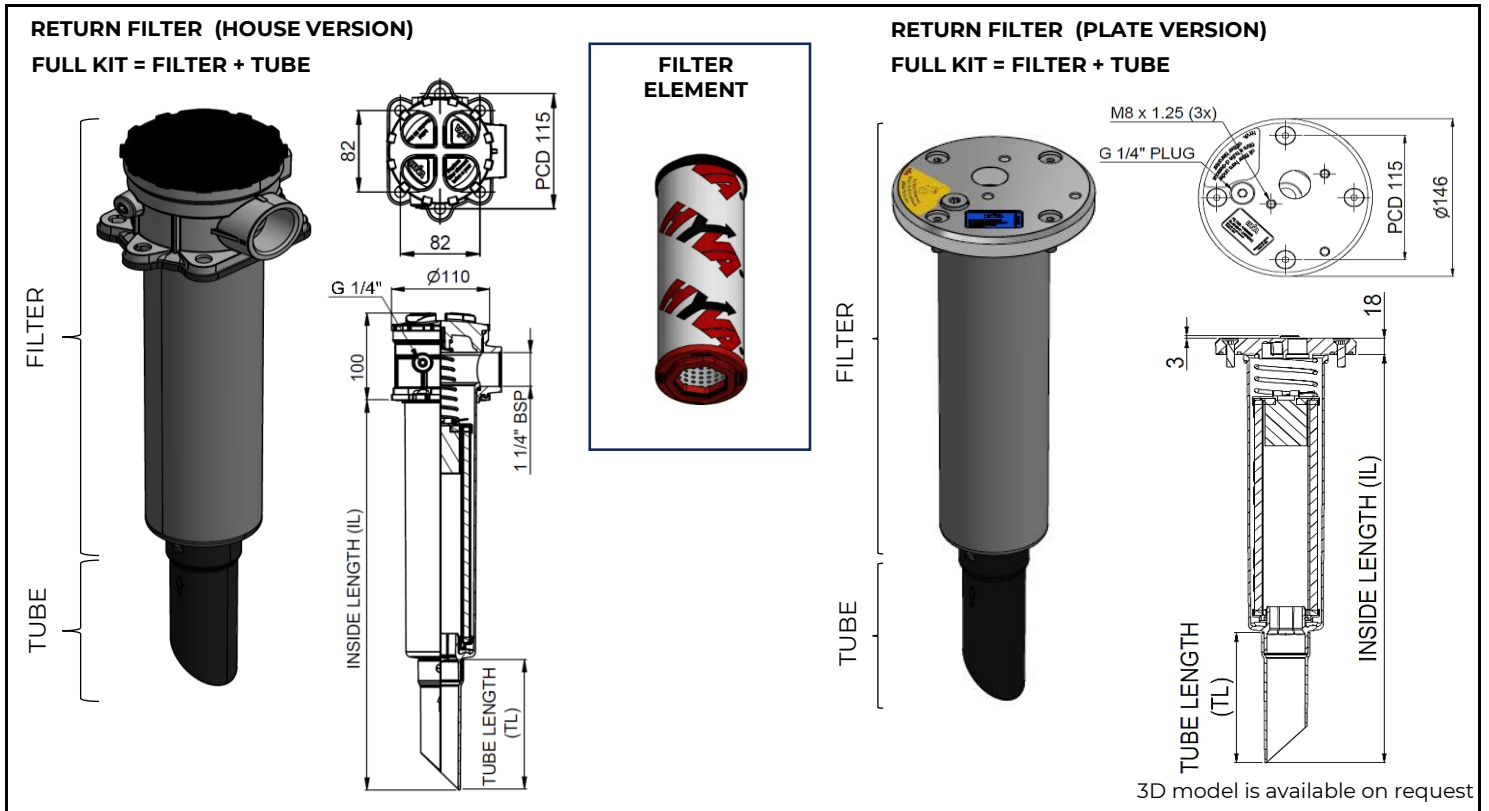


RF2 - RETURN FILTER KIT (HOUSE & PLATE VERSION)



3D model is available on request

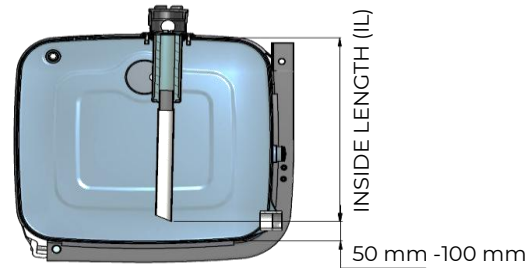
Specifications

Type RF2		
Nominal flow (clean element)	240	L/min
Peak flow	375	L/min
By-pass pressure (-/+10%)	1.75	bar
Collapse pressure element	10	bar
Temperature range min/max	-40/+100	°C
Dirt holding capacity	29.4	g
Filter area	1955	cm ²
Length of filter element	260	mm

Filtration efficiency

	Beta rating *	Particle size	Efficiency **
Filtration efficiency	β 200	16 μm	> 99,5%
	β 10	9 μm	> 90%

Filter Selection



Choose filter inside length (IL) in such a way that there is a distance of 50mm to 100mm between tank bottom surface and tube end.

* Beta (β) ratio is that 1 particle with given particle size per 10 / 200 particles will pass the filter.

** Percentage of the particles that will be filtered with given particle size.

Types & components

	IL	Full kit	Weight (kg)	Tube length (TL)
House version	323	14780358	1.40	no tube
	449	14780351	1.71	150
	549	14780352	1.75	250
	649	14780353	1.80	350

	IL	Full kit	Weight (kg)	Tube length (TL)
Plate version	344	14895926	1.63	no tube
	469	14895923	1.70	150
	569	14895924	1.75	250
	669	14895925	1.78	350

Technical note and related documentation

Change the filter element twice a year

Related documentation : FIL-0003

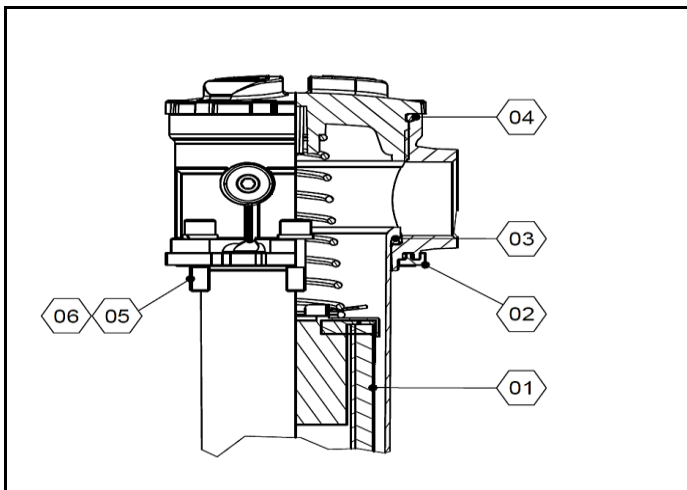
Spare parts

Filter element

	Filter element RF2 series	Part No.	Qty.
01	Filter element	14896992	1



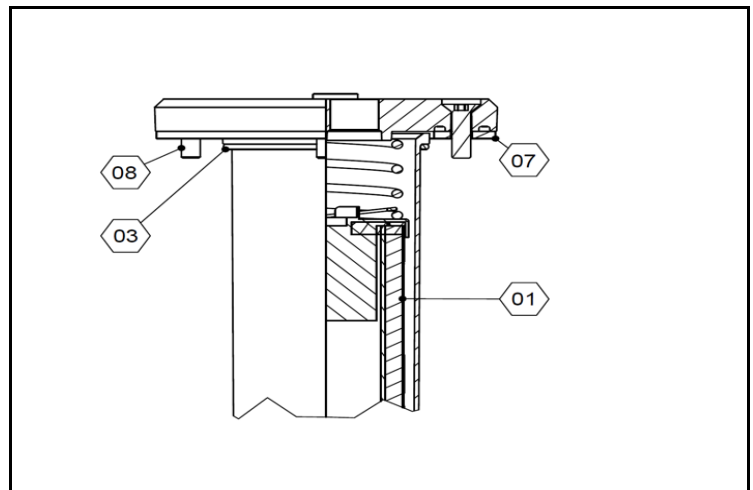
House version



No.	Description	Part No.	Qty.
01	Filter element	14896992	1
-	Seal kit (Parts 02, 03 & 04)	14896971	-
02	Flat Gasket	See seal kit	1
03	Bowl O-Ring	See seal kit	1
04	Cover O-Ring	See seal kit	1
05	Bolt HSHC M8x1.25	15013643	4
06	Washer M8	15022020	4

Note: All seals and fasteners (No. 01 to 06) are included with filter

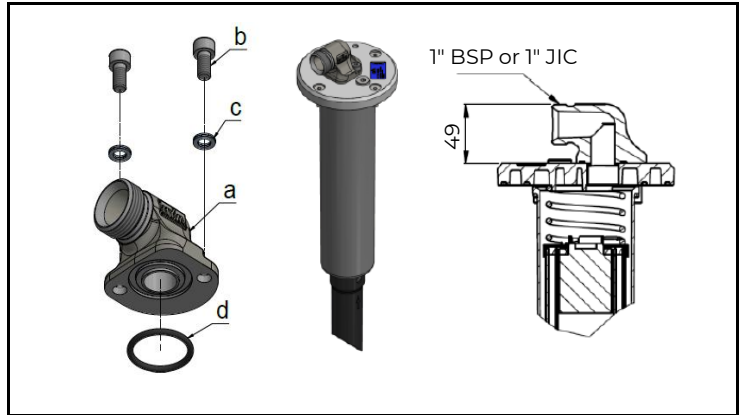
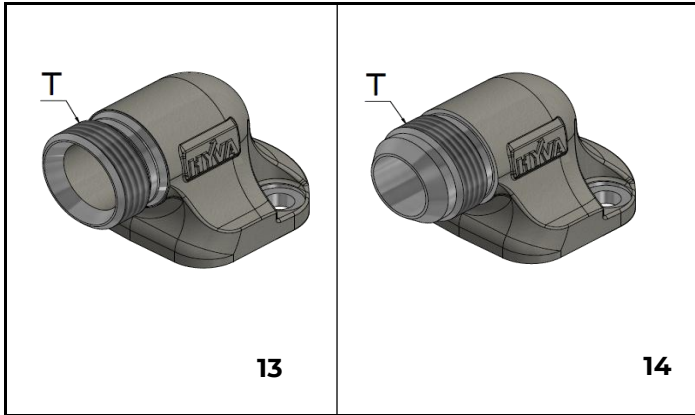
Plate version



No.	Description	Part No.	Qty.
01	Filter element	14896992	1
-	Seal Kit (Parts 03, 08)	14896960	-
03	Bowl O-Ring	See seal kit	1
07	Flat gasket plate version	01965515	1
08	Countersunk bolt M8	15012790	4

Note : All seals & fasteners (No. 01, 03, 07 & 08) are included with filter.

Option adapter kit for plate version



No.	Part no.	Description	Thread size (T)	Qty
13	01317987	Adaptor kit 90 for return filter	1" BSPOTC	1
14	01317988	Adaptor kit 90 for return filter	1" JICOTC	1

No.	Description	Qty
a	Adaptor-90-elbow-1" BSPOTC	1
	Adaptor-90-elbow-1" JICOTC	
b	Bolt HSHC M8x16x1.25 DIN 912 ZP	2
c	Nord-lock washer M8	2
d	O-Ring 34.60x2.62	1

Note: O-rings, bolts & washers are included with adapter.

Hydraulic Symbol

