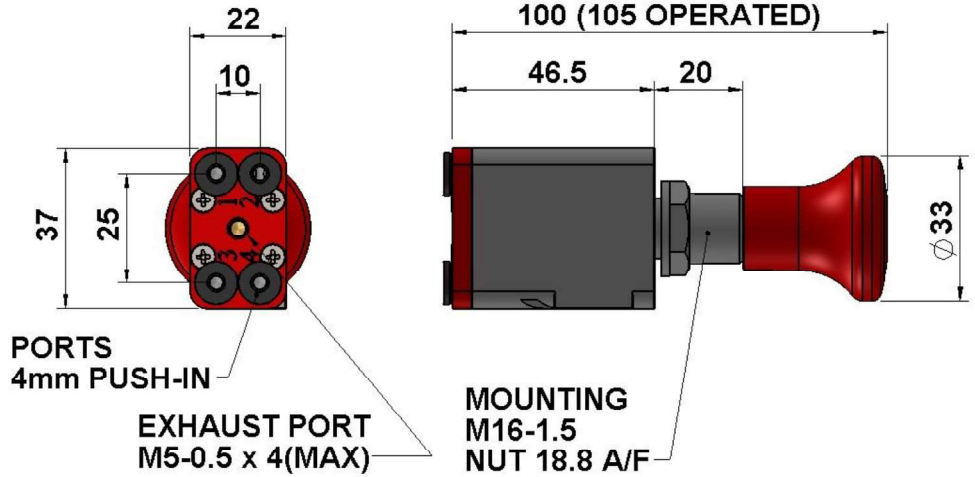
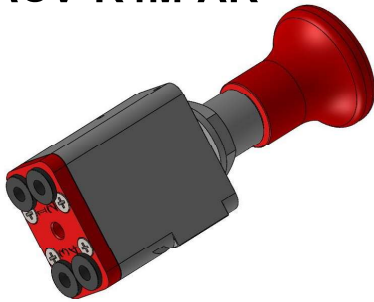


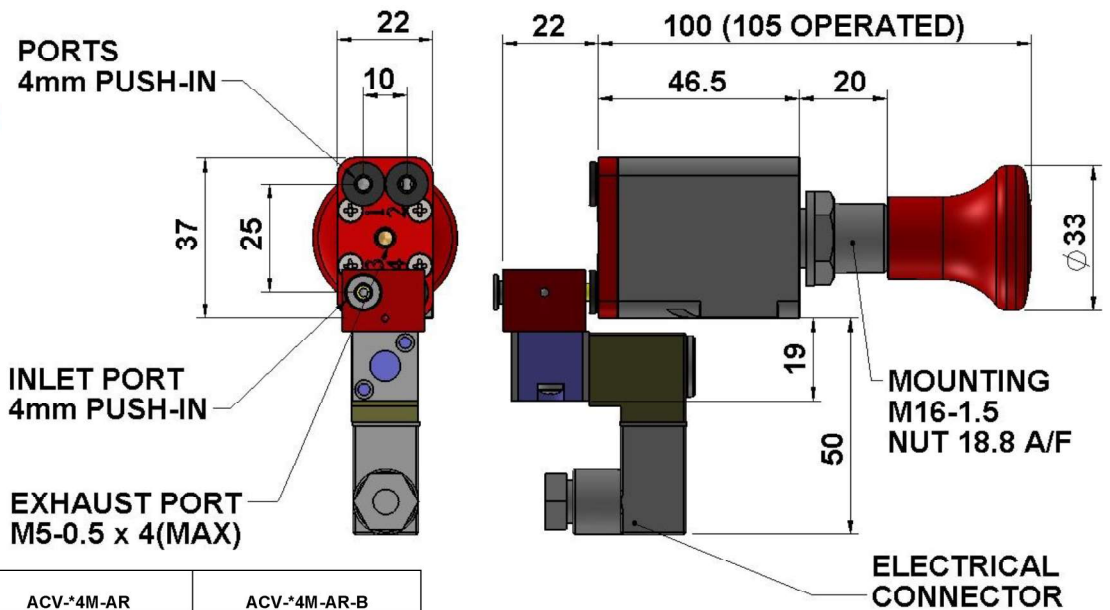
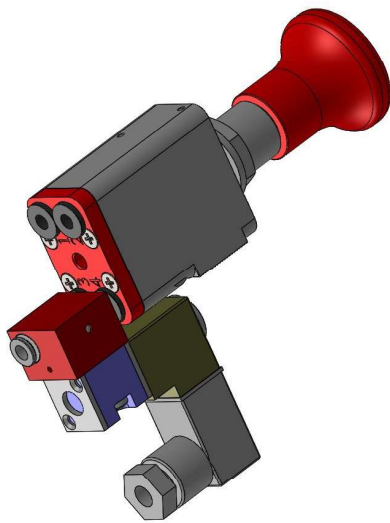
PTO Panel/Dash Mount Air Control Valve — 4mm

Panel/dash mounted manually operated 4/2 directional control switch for the operation of single and double acting cylinders. This valve series has 4mm Push-in Fitting ports and comes as standard with a pneumatic or electric reset, control knob Indicator and pipe-away exhaust port.

ACV-R4M-AR



ACV-R4M-AR-B



Technical Specification	Units	ACV-*4M-AR	ACV-*4M-AR-B
Operating Pressure	bar (Min.)	2.5	2.5
	bar (Max)	13	8
Media		Dry Air or Inert Gas	
Flow Rate to Atmos. @ 7 bar	l/min	180	180
Cv		0.15	0.15
Ambient Temp.	°C (Min.)	-20	-20
	°C (Max)	+50	+50
Coil Voltage			24VDC (2.5W)
Weight	Kgf	0.16	0.22

Materials	Condition	ACV-*4M-AR	ACV-*4M-AR-B
Housing	Anodised	Aluminium	Aluminium
End Cap	Anodised	Aluminium	Aluminium
Spool	Natural	Brass	Brass
Spool Seals		Nitrile	Nitrile
Port O Ring Seals		Nitrile	Nitrile
Screws		S/Steel	S/Steel
Control knob Assy		Plastic ABS+S/Steel	Plastic ABS+S/Steel
Port Collets	4mm	Acetal Co-polymer	Acetal Co-polymer
Electro-Interlock Block	Anodised		Aluminium
Connection Tubes	Natural		Brass
* = Knob Colour	Moulded	R=Red, B=Black, G=Green	R=Red, B=Black, G=Green
* = Knob Colour	Painted	Y=Yellow, A=Blue	Y=Yellow, A=Blue

Model Code

ACV-R4M-AR-B

- ↓ Leave Blank or B = Electrical Reset 24VDC
- ↓ AR = Air Reset
- ↓ 4M = 4mm Push-in Ports
- ↓ Knob Colour = R-Red, B-Black, G-Green, Y-Yellow, A-Blue

Fitting P.T.O. into Dashboard/Panel

1. Remove the Cap from the Knob using the edge slot in the Cap.
2. Undo the SHC Screw using the Allen Key.
3. Remove the Knob and the hexagon Nut.
4. Fit into the dashboard and install the Nut.
5. Replace the Knob, aligning the 'D' slot and tightening the SHC Screw.
5. Replace the SHC Screw and Cap.
6. Connect the air lines as follows:
 - Port 1 = PTO cylinder engage.
 - Port 2 = Plug or to PTO cylinder disengage.
 - Port 3 = Dry Air Supply (13 bar Max).
 - Port 4 = Reset from Hand-brake relay or leave open (do not plug).
 - Exhaust: leave open or pipe-away.
7. Port 4 is not used in the electrical reset version ACV-*4M-AR-B
8. For ACV-*4M-AR-B connect connector pins 1 & 2 to a 24VDC signal to operate the PTO (not polarity sensitive)