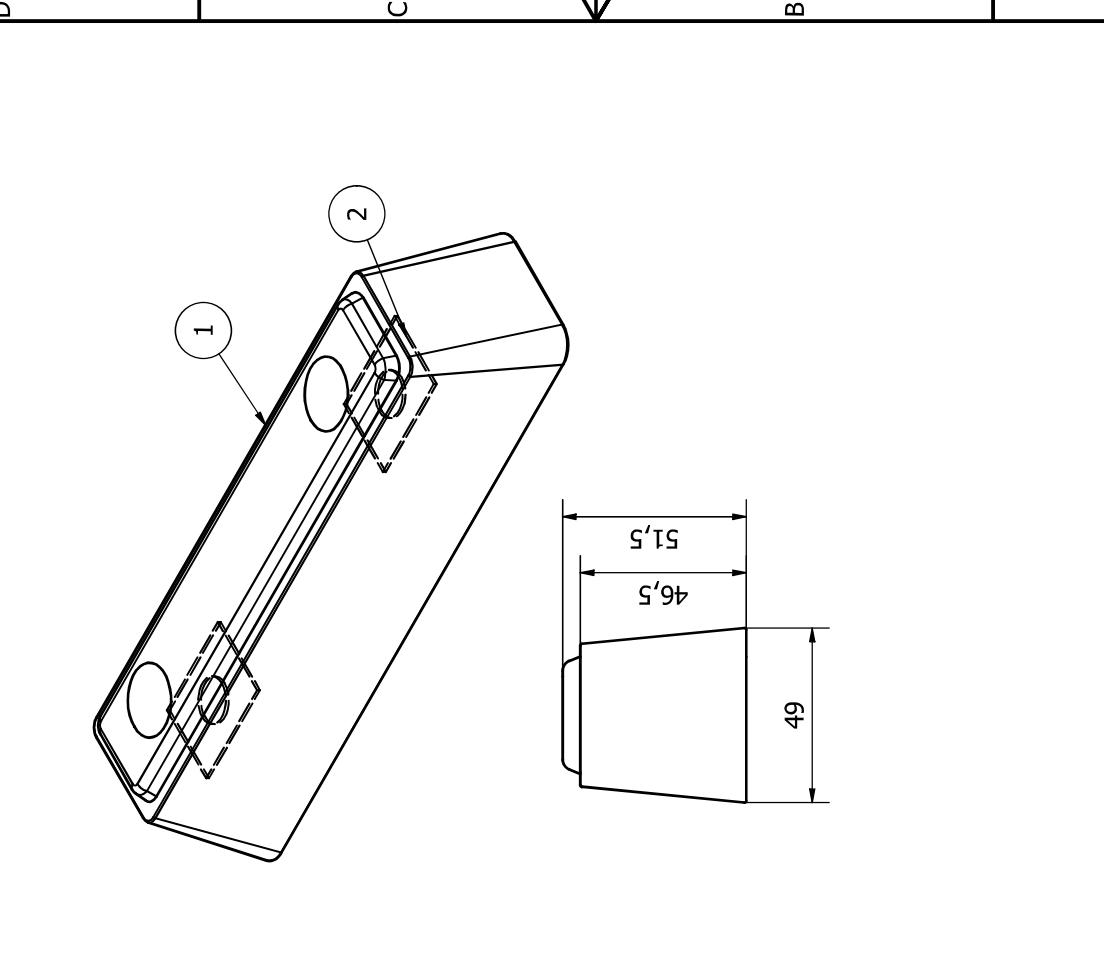
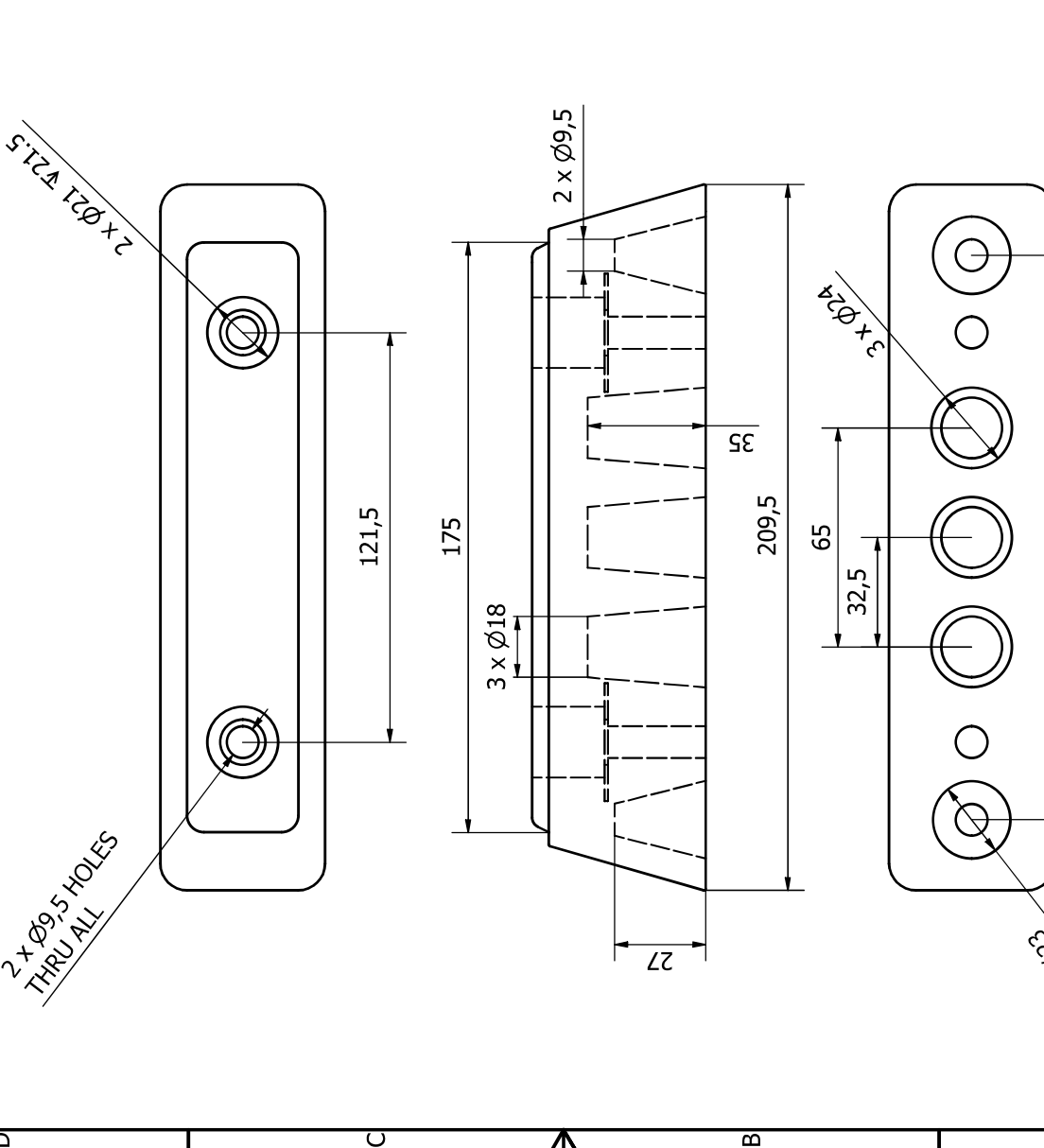


PARTS LIST			
ITEM	QTY	PART NUMBER	DESCRIPTION
1	1	2502-0100-1	SYNTHETIC RUBBER BUFFER BODY - BLACK
2	2	2502-0100-2	M/STEEL SUPPORT PLATE INSERT - Z/C PASSIVATED



PARTS LIST			
ITEM	QTY	PART NUMBER	DESCRIPTION
1	1	2502-0100-1	SYNTHETIC RUBBER BUFFER BODY - BLACK
2	2	2502-0100-2	M/STEEL SUPPORT PLATE INSERT - Z/C PASSIVATED



REV	VALIDATION COMPLETE	DATE	APPROVED
1		19/10/20	A.P.

DRAWN BY	CHECKED BY	SCALE	MATERIAL	FINISH	DATE	APPROVED
U.F.	A.P.	2 : 3	SEE TABLE	SEE TABLE	15/10/2020	A.P.

SCALE	FINISH	ALL DIMS IN MM UNLESS STATED DO NOT SCALE
2 : 3	SEE TABLE	A3

DESCRIPTION	MASS
HEAVY DUTY RUBBER IMPACT BUFFER	0.350 kg

Edition	Sheet
1	1 / 1

GENERAL TOLERANCES ON LENGTHS	
0.5 - 6 ± 0.1mm	
6 - 30 ± 0.2mm	
30 - 120 ± 0.3mm	
120 - 400 ± 0.5mm	
400 - 1000 ± 0.8mm	
1000 - 2000 ± 1.2mm	
2000 - 4000 ± 2.0mm	