



THOMPSONS



E-PARTS

Tow-Trust Towbars

TTRUPD Fitting Instruction



Can Be Fitted To Any Vehicle From 3500 Kg To 32000 Kg GVW



THOMPSONS



E-PARTS

Tow-Trust Towbars

TTRUPD Fitting Instruction



NON TOWING

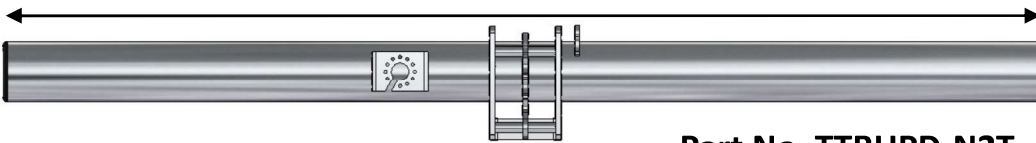
TOWING

2008mm



Part No. TTRUPD-N2

2008mm



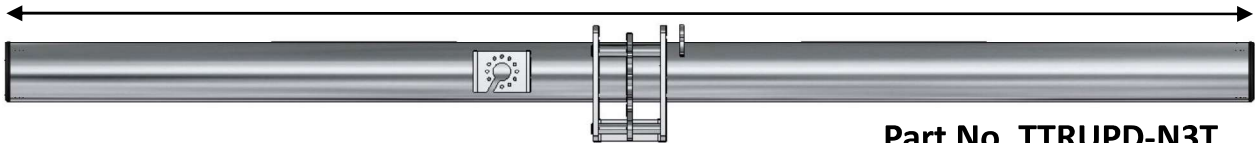
Part No. TTRUPD-N2T

2356mm



Part No. TTRUPD-N3

2356mm



Part No. TTRUPD-N3T



Part No. TTRUPD-ARM#1



434mm



Part No. TTRUPD-ARM#2



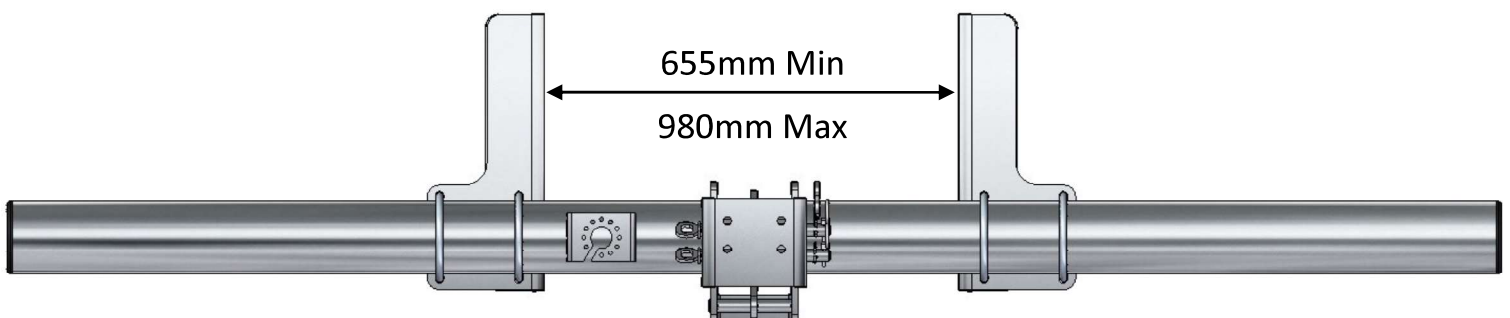
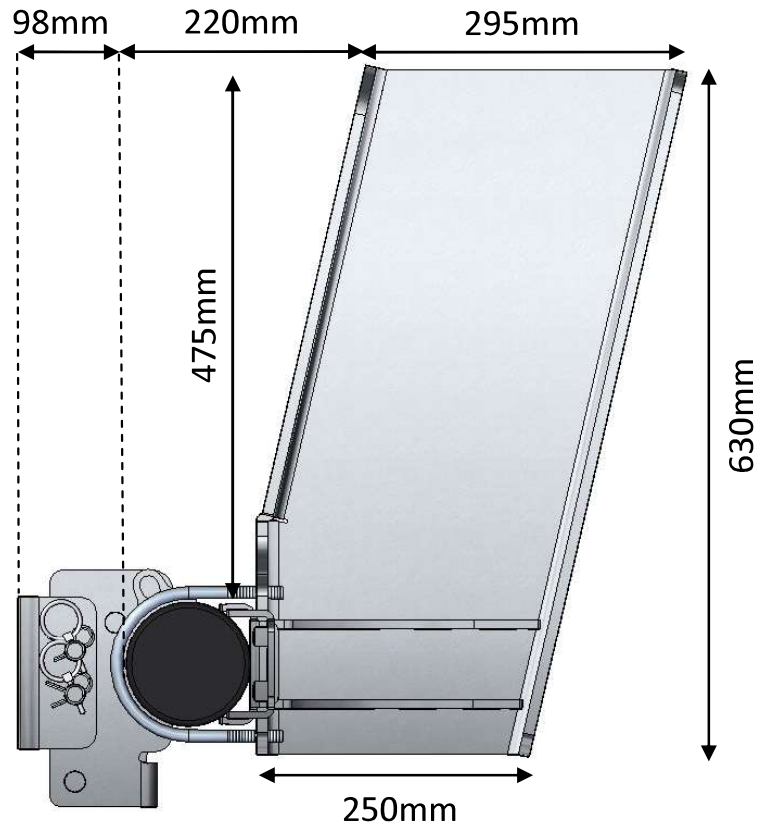
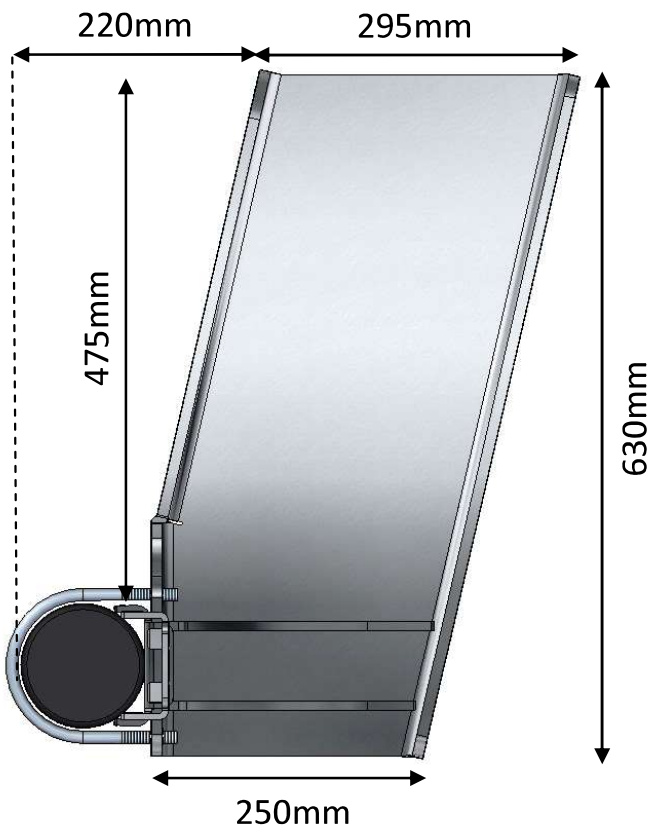
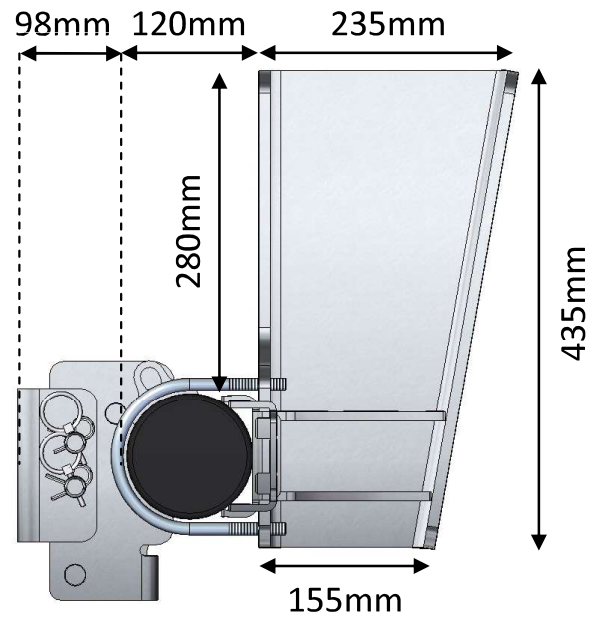
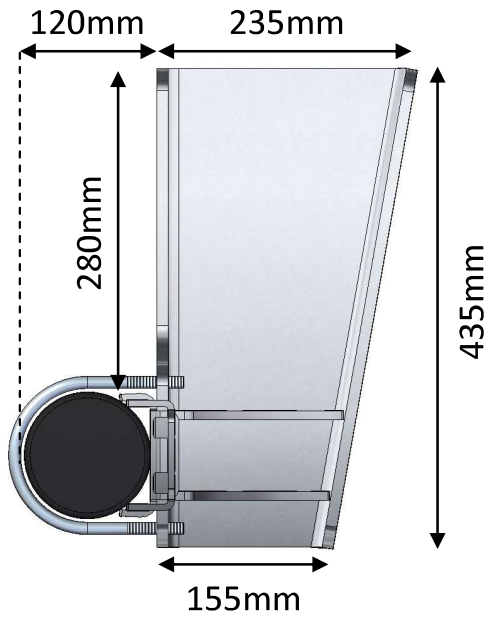
629mm



THOMPSONS E-PARTS

Tow-Trust Towbars

TTRUPD Fitting Instruction

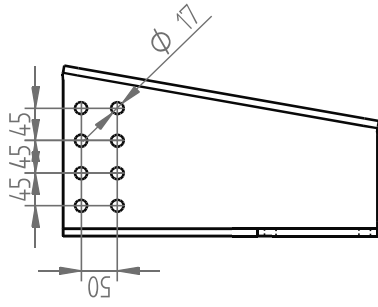




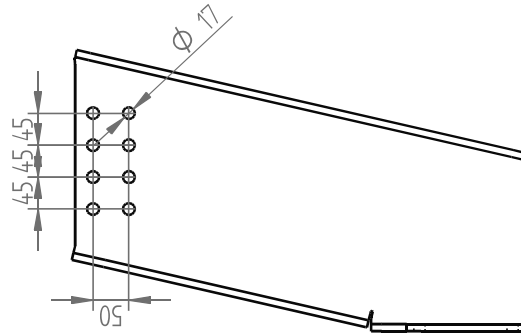
THOMPSONS E-PARTS

Tow-Trust Towbars

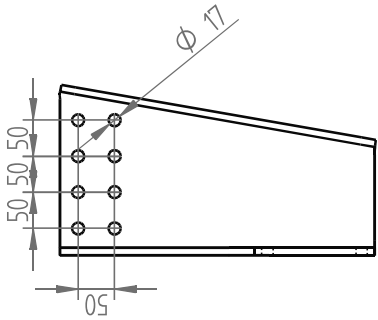
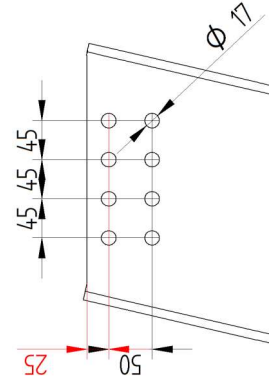
TTRUPD Fitting Instruction



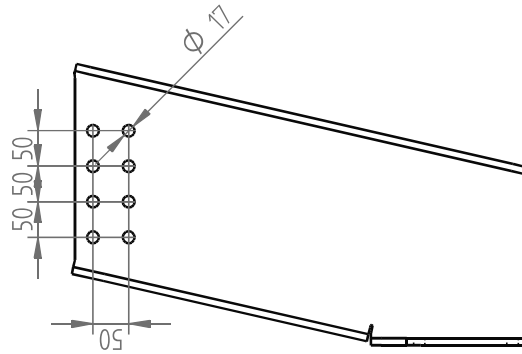
8x M16 (10.9)



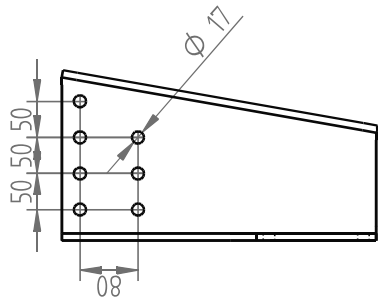
8x M16 (10.9)



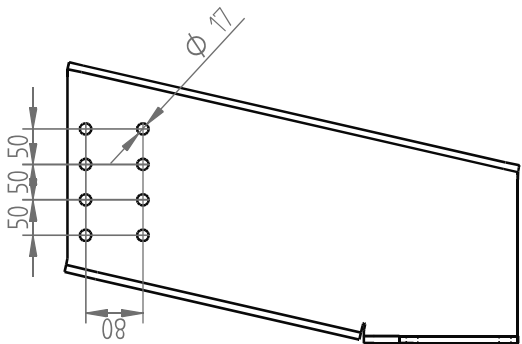
8x M16 (10.9)



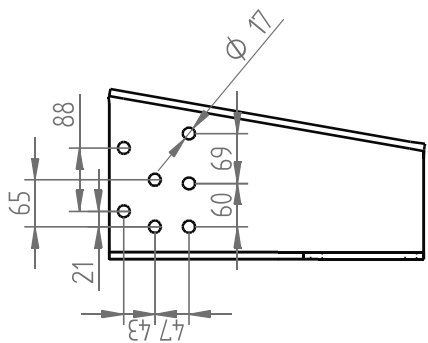
8x M16 (10.9)



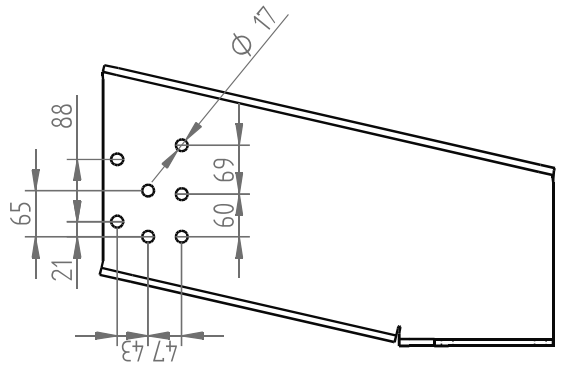
7x M16 (10.9)



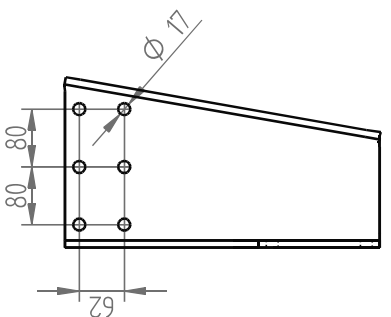
8x M16 (10.9)



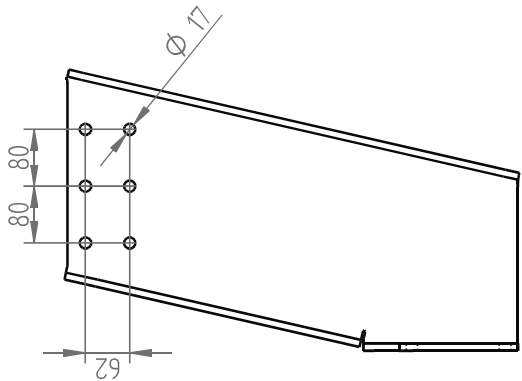
7x M16 (10.9)



7x M16 (10.9)



6x M16 (10.9)



6x M16 (10.9)

Hole Patterns Must Always be drilled with a minimum of 25mm Of Material Above

Minimum Hole Patterns



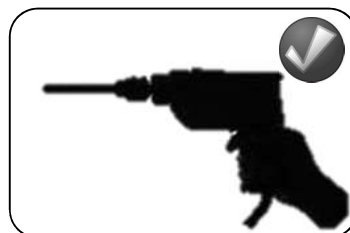
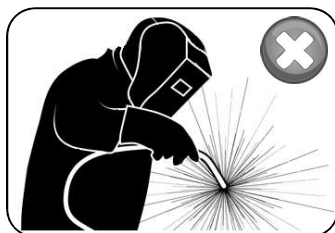
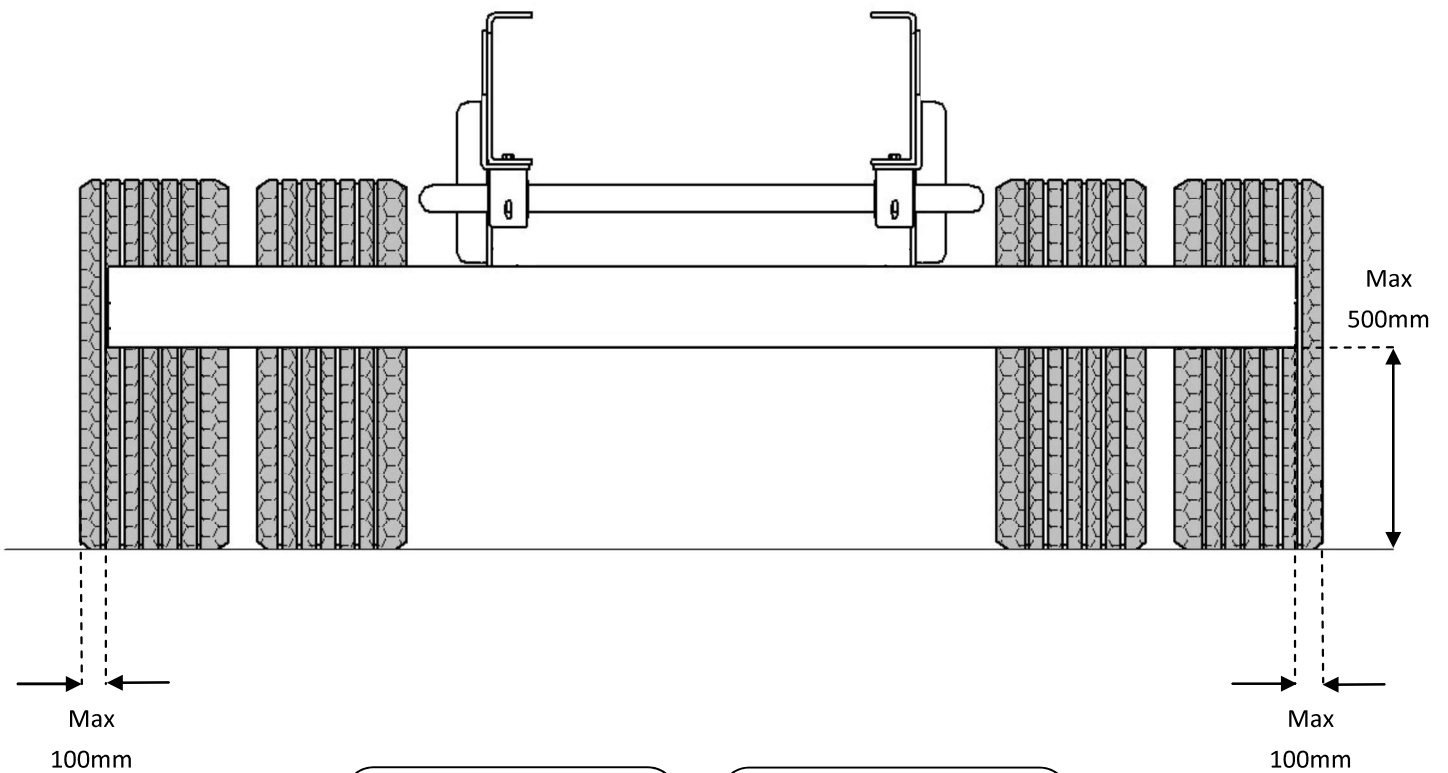
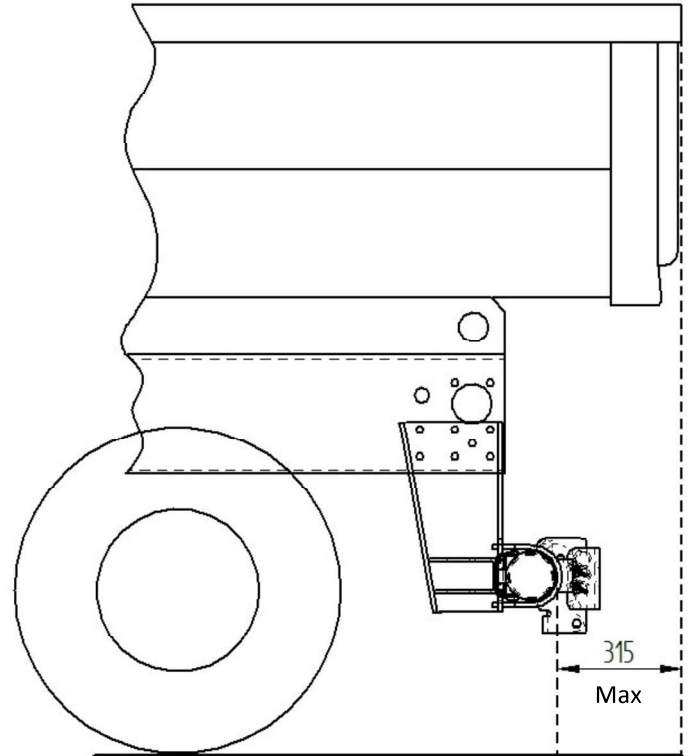
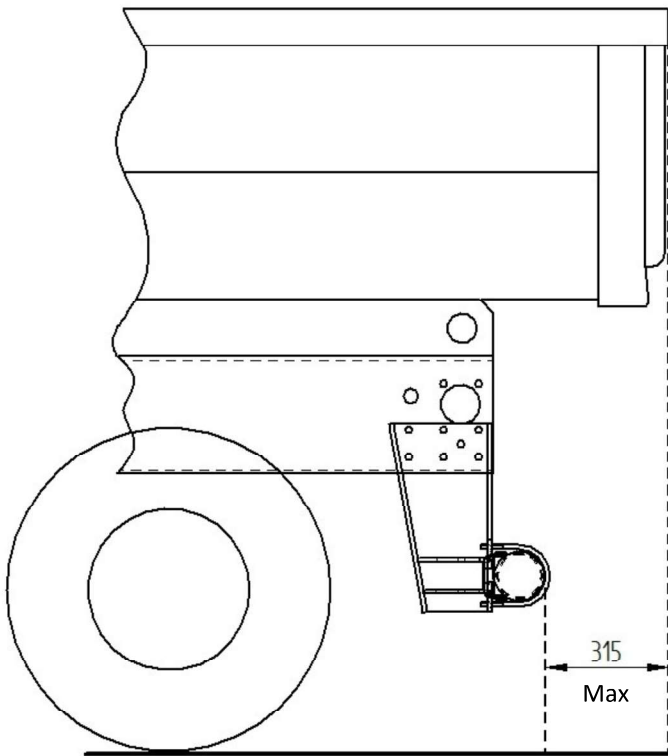
THOMPSONS



E-PARTS

Tow-Trust Towbars

TTRUPD Fitting Instruction





THOMPSONS E-PARTS

Tow-Trust Towbars

TTRUPD Fitting Instruction



Parts List: Part No. TTRUPD-N2



2008mm



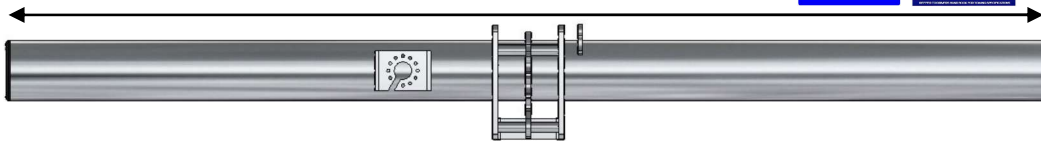
1x 2008mm NON Towing Beam, 1x Reg58 Blue Type Approval label & 2 x 114mm Plastic end caps



Parts List: Part No. TTRUPD-N2T 2008mm



2008mm



1x REG58 Blue Type Approval label , 1x REG55 Blue Type Approval label

1x 2008mm Towing Beam, 1 x NATO slider plate, 2 pins, 2 R-Clips, 2 x Lynch Pins & 2 x 114mm Plastic end caps



Parts List: Part No. TTRUPD-N3



2356mm



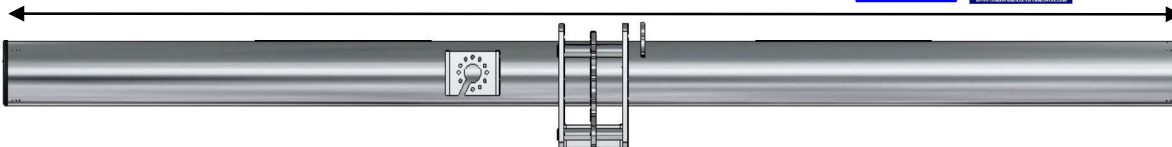
1x 2356mm NON Towing Beam, 1x Reg58 Blue Type Approval label & 2 x 114mm Plastic end caps



Parts List: Part No. TTRUPD-N3T 2356mm



2356mm



1x REG58 Blue Type Approval label , 1x REG55 Blue Type Approval label

1x 2356mm Towing Beam, 1 x NATO slider plate, 2 pins, 2 R-Clips, 2 x Lynch Pins & 2 x 114mm Plastic end caps

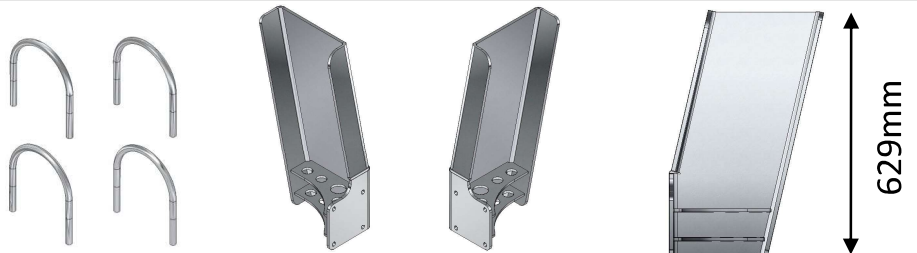


Parts List: Part No. TTRUPD-ARM#1



2x Handed side arms (ARM#1), 4x 120mm M12 U Bolts, 8x M12 Lock Nuts, 8x 12 x 25 F/W, 16x M16 x 50 Flange Bolts (10.9) & Flange Nuts

Parts List: Part No. TTRUPD-ARM#2



2x Handed side arms (ARM#2), 4x 120mm M12 U Bolts, 8x M12 Lock Nuts, 8x 12 x 25 F/W, 16x M16 x 50 Flange Bolts (10.9) & Flange Nuts



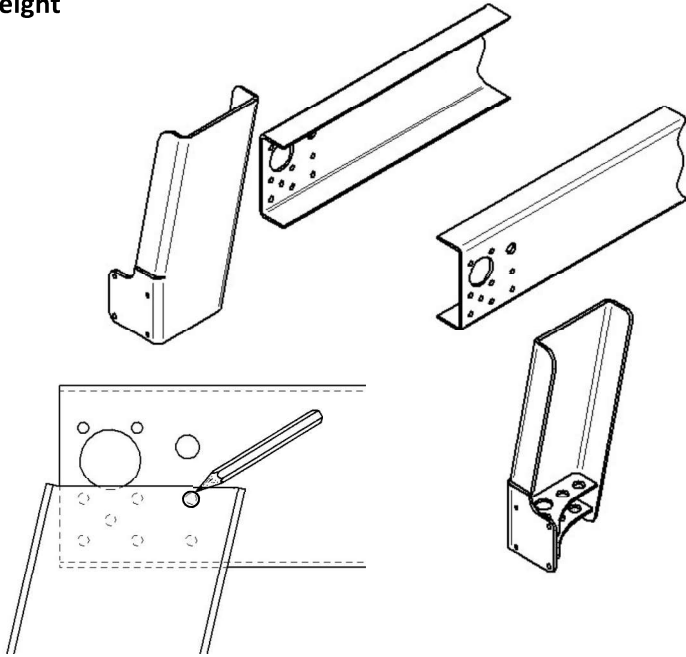
THOMPSONS E-PARTS

Tow-Trust Towbars

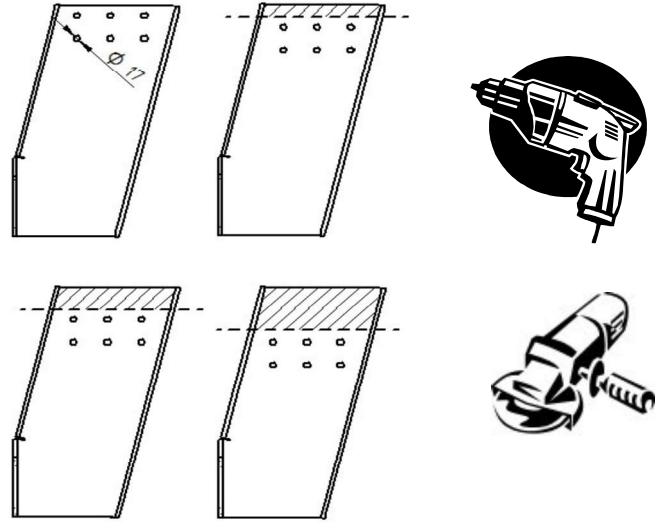
TTRUPD Fitting Instruction



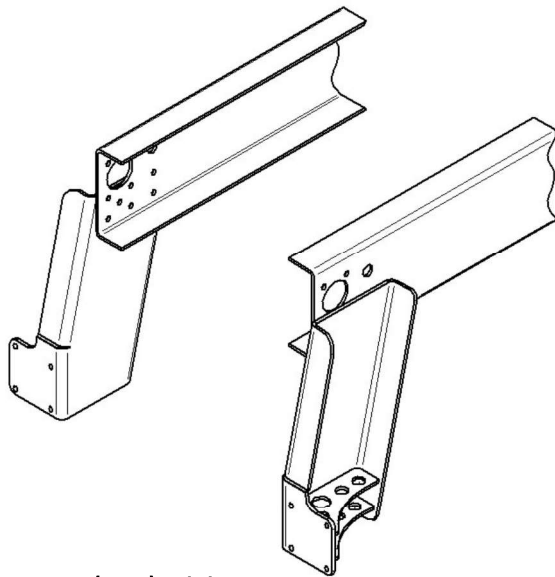
1. Mark off holes in attachment brackets at required height



2. Drill holes in attachment brackets at required height and cut off unnecessary material if required (Attachment brackets must always be drilled to one of the minimum of hole patterns supplied)



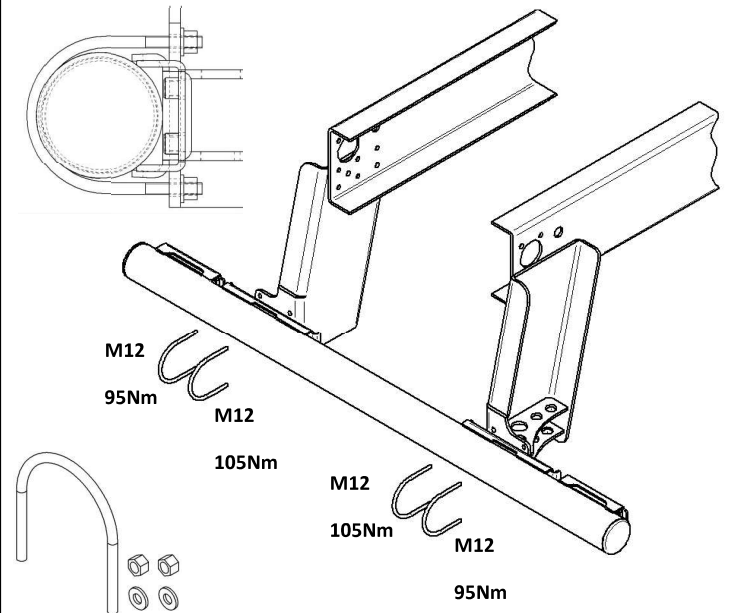
1. Bolt attachment brackets to the vehicle chassis



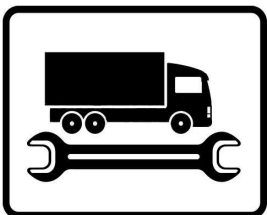
12 X M16 (10.9) Minimum

252 Nm

4. Bolt chosen beam to attachment brackets using 4x M12 U-Bolts, 8x 12 x 25 flat washers & 8x M12 lock nuts



1500 Miles





THOMPSONS



E-PARTS

Tow-Trust Towbars

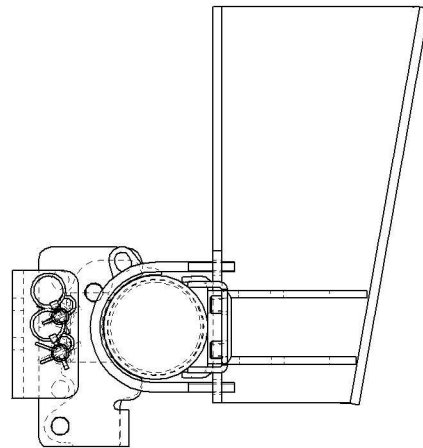
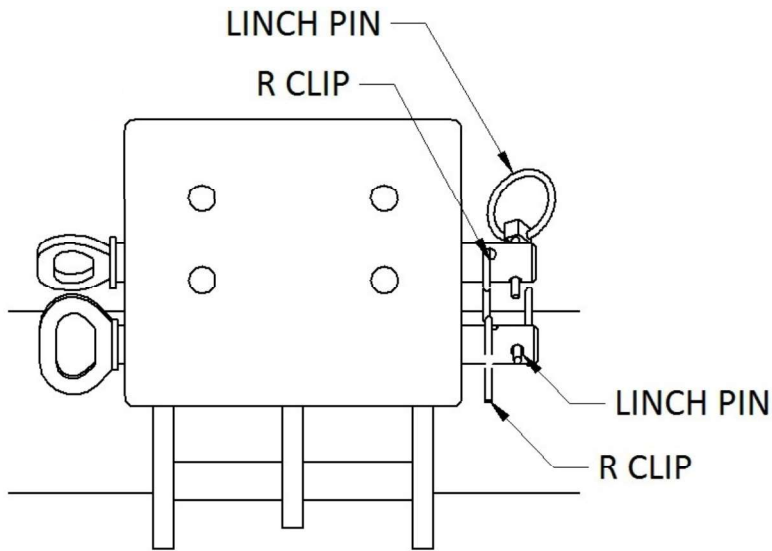
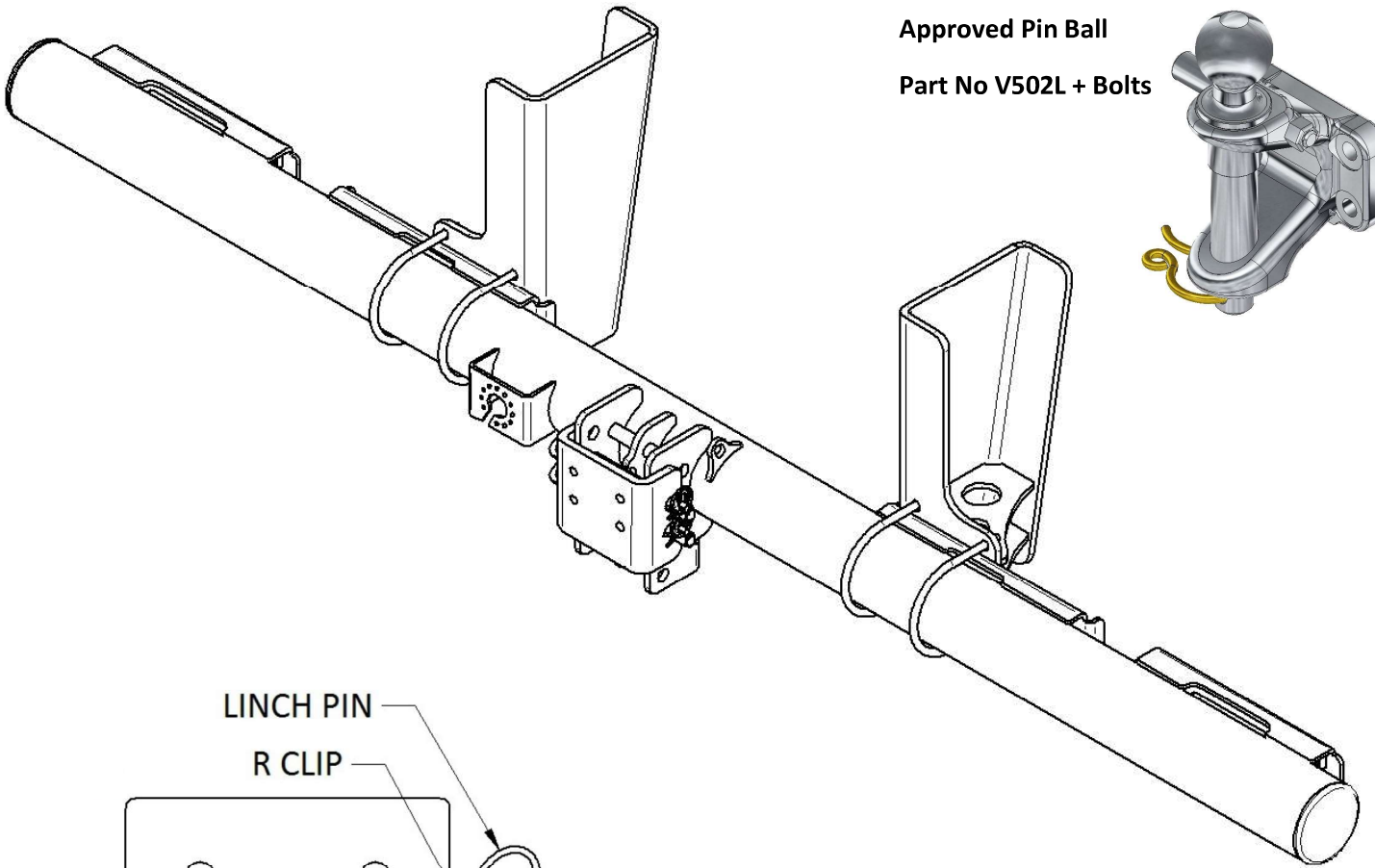
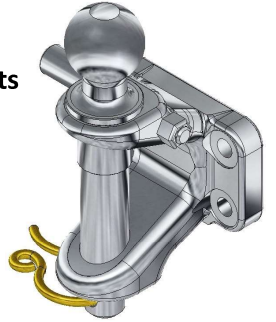
TTRUPD Fitting Instruction



Always fit with a 4 bolt Type

Approved Pin Ball

Part No V502L + Bolts



1500 Miles

