

TTMP BEAM - KIT

TTMP DAF - KIT

TTMP MAN - KIT

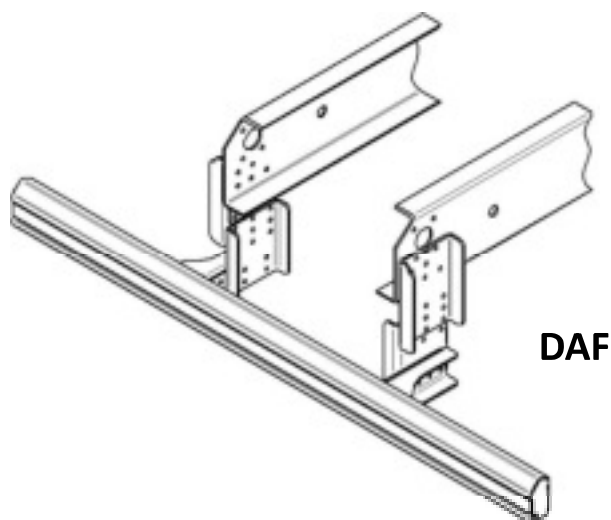
TTMP - MERCEDES - KIT

TTMP - SCANIA - KIT

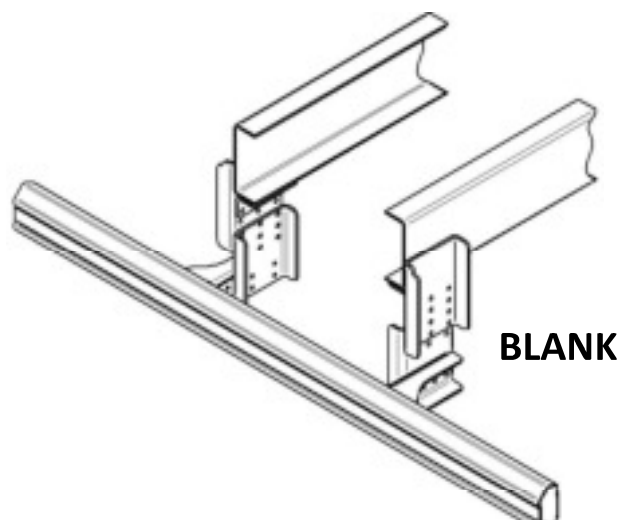
TTMP - VOLVO - KIT

TTMP - BLANK - KIT

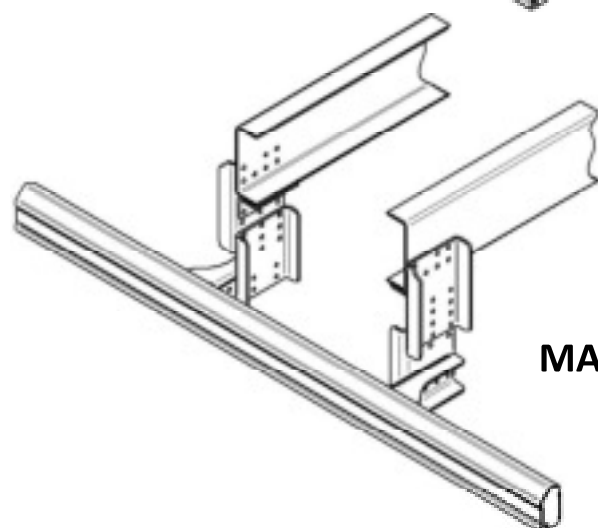
TTMP TOW - PACK



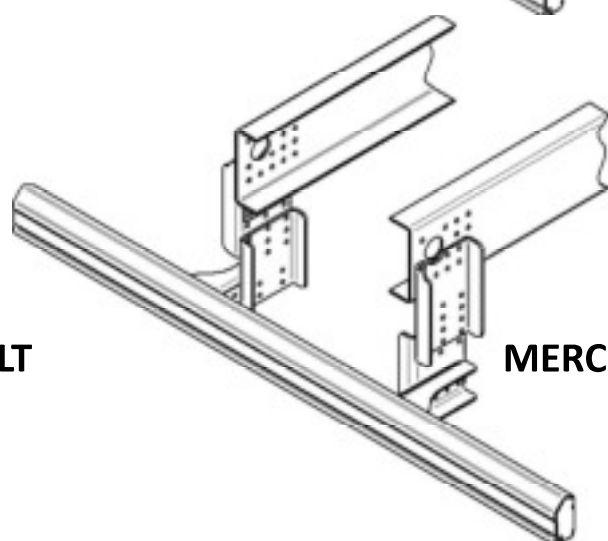
DAF



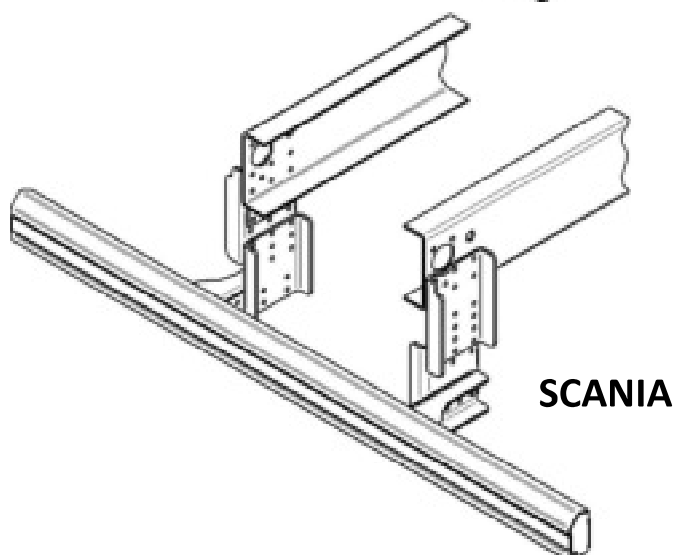
BLANK



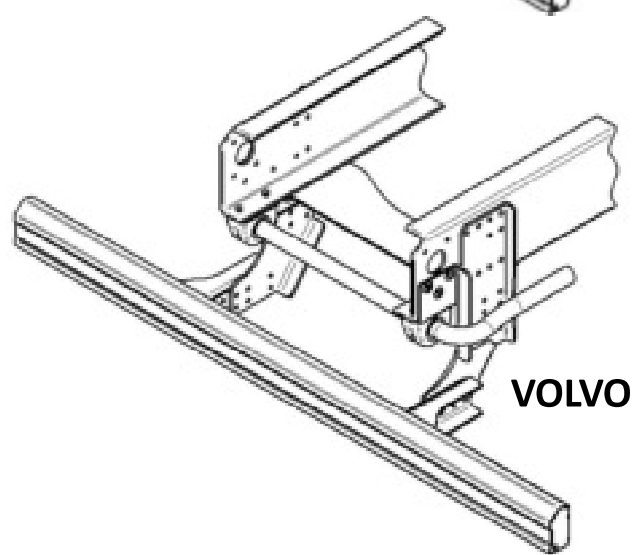
MAN / RENAULT



MERCEDES



SCANIA



VOLVO

TTMP BEAM - KIT

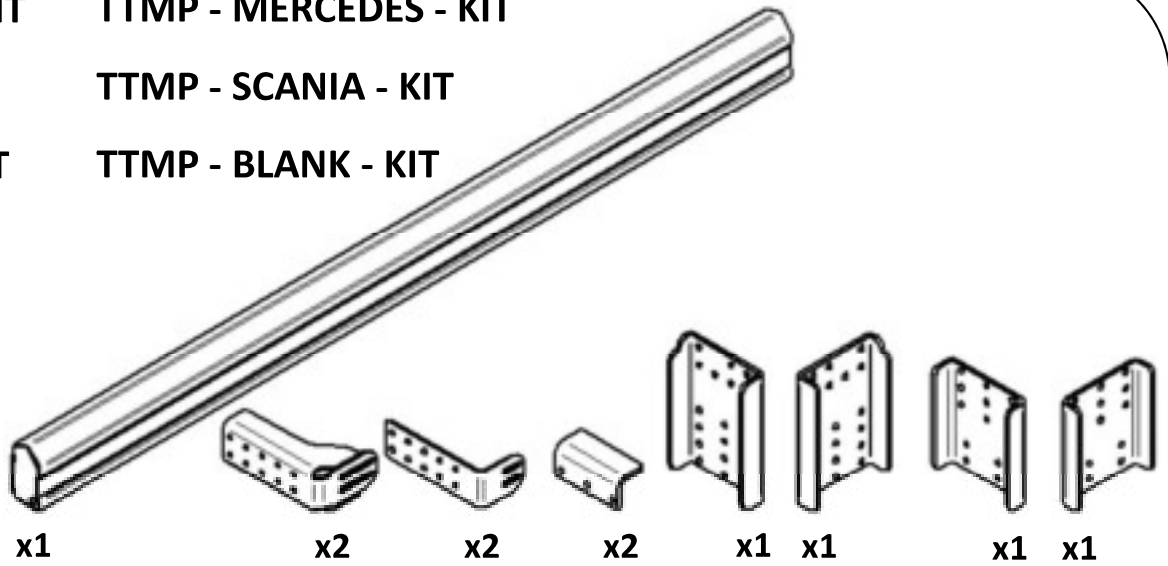
TTMP - MERCEDES - KIT

TTMP DAF - KIT

TTMP - SCANIA - KIT

TTMP MAN - KIT

TTMP - BLANK - KIT



MERCEDES / SCANIA / MAN / BLANK

14x M16 x 65 Flange Bolts (Grade 10.9) & Flange Lock Nuts

6x M16 x 50 Flange Bolts (Grade 10.9) & Flange Lock Nuts

12x M14 x 50 Flange Bolts (Grade 10.9) & Flange Lock Nuts

12x M12 x 35 Flange Bolts (Grade 10.9)

DAF ONLY

14x M16 x 75 Flange Bolts (Grade 10.9) & Flange Lock Nuts

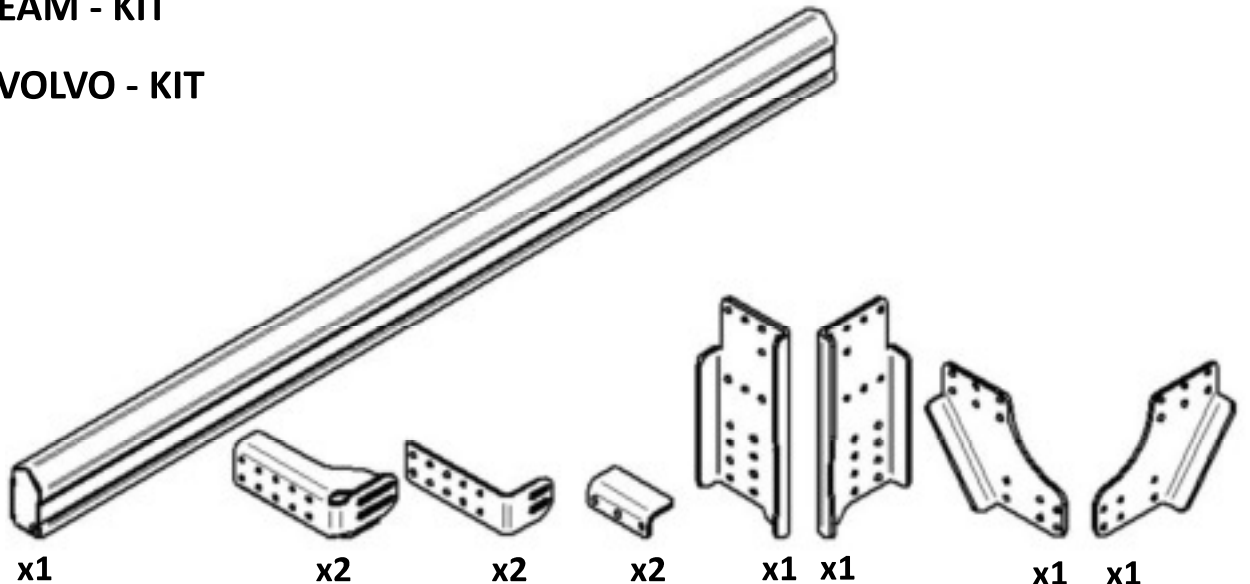
6x M16 x 50 Flange Bolts (Grade 10.9) & Flange Lock Nuts

12x M14 x 50 Flange Bolts (Grade 10.9) & Flange Lock Nuts

12x M12 x 35 Flange Bolts (Grade 10.9)

TTMP BEAM - KIT

TTMP - VOLVO - KIT

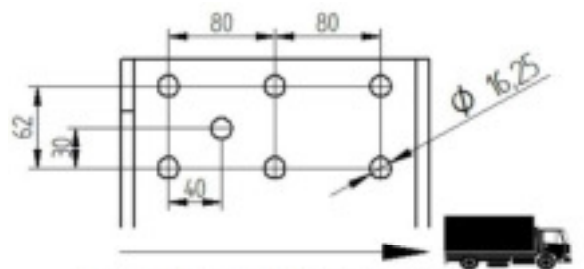
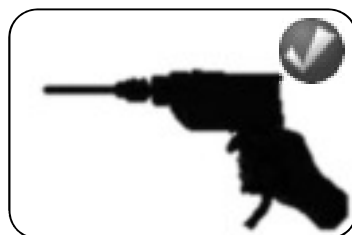
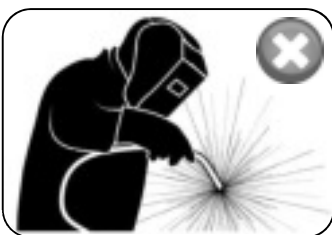
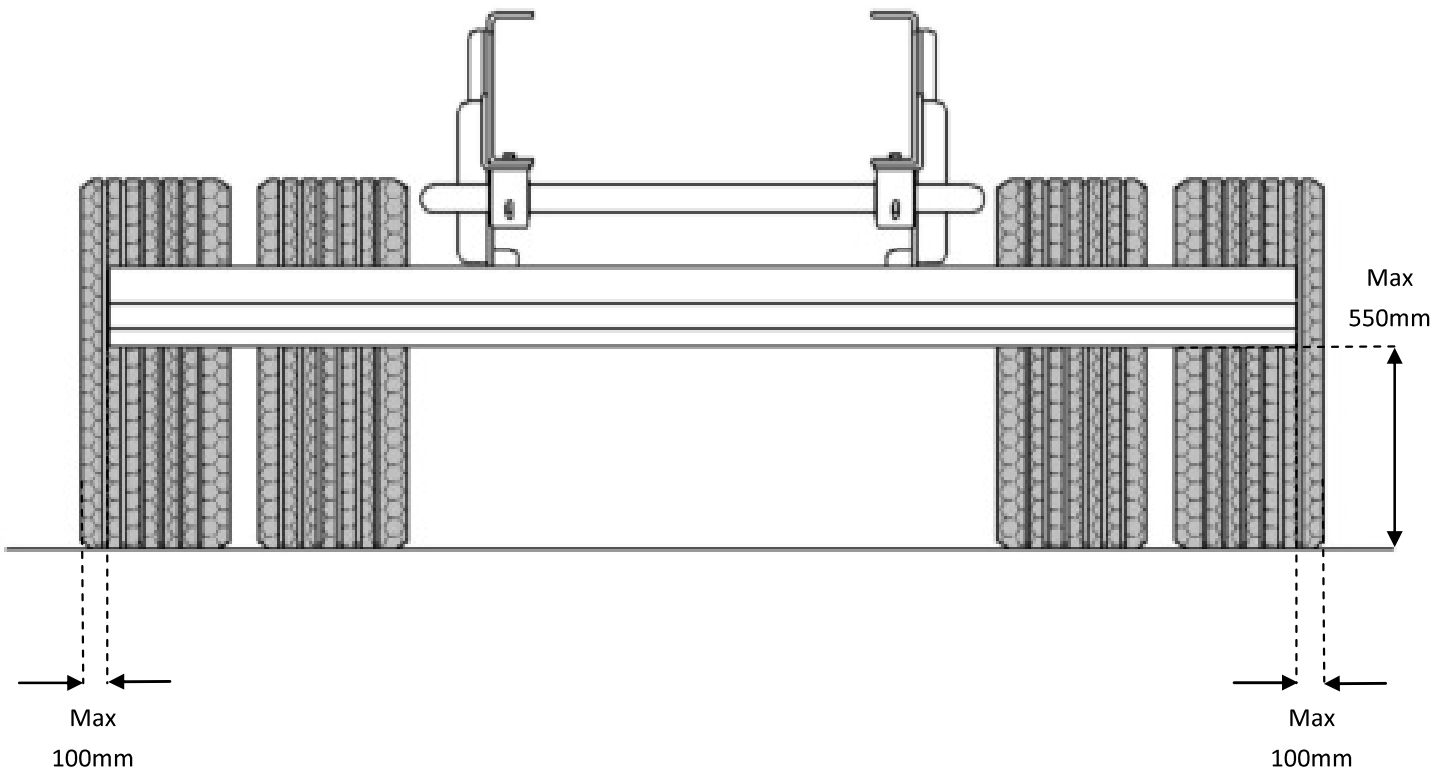
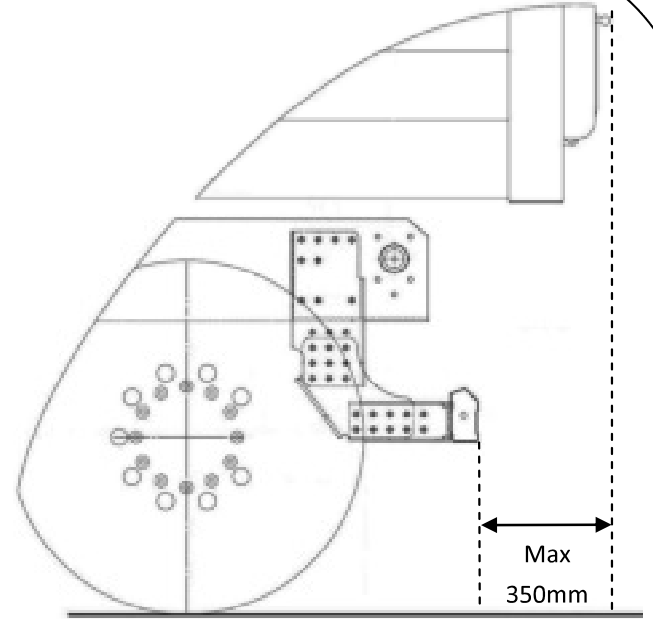
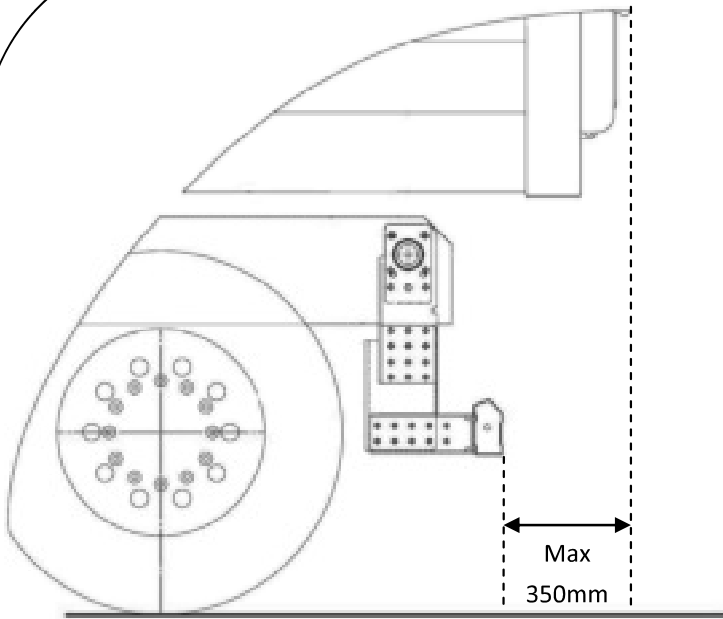


16x M16 x 40 Flange Bolts (Grade 10.9) & Flange Lock Nuts

6x M16 x 50 Flange Bolts (Grade 10.9) & Flange Lock Nuts

12x M14 x 50 Flange Bolts (Grade 10.9) & Flange Lock Nuts

12x M12 x 35 Flange Bolts (Grade 10.9)

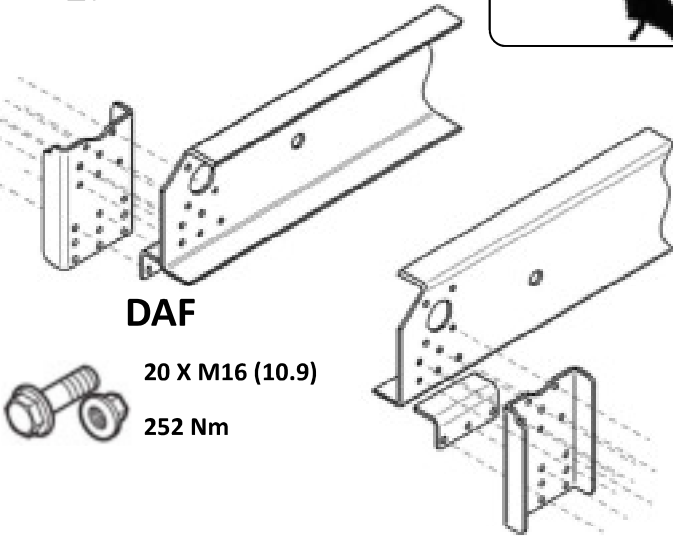


Blank Side Arm MUST Be Drilled
With This Minimum Hole Pattern

1.



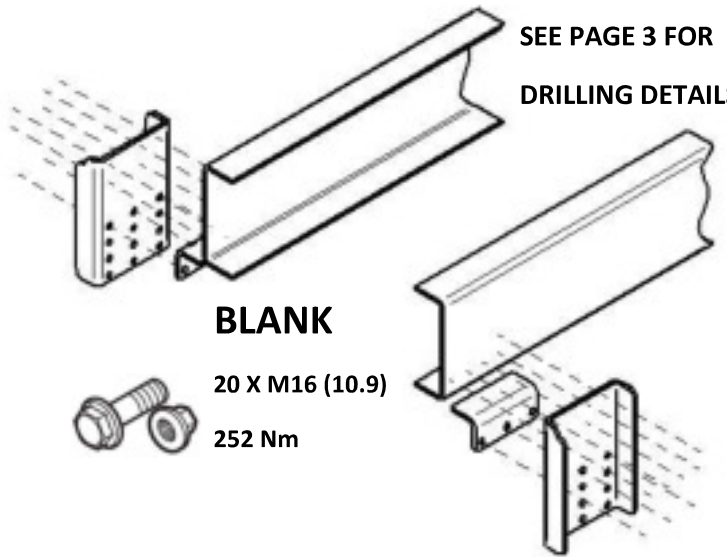
SEE PAGE 3 FOR
DRILLING DETAILS



DAF

20 X M16 (10.9)

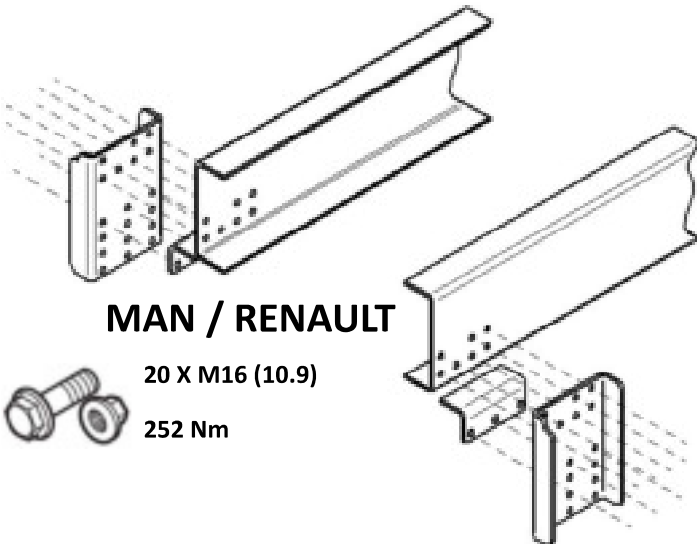
252 Nm



BLANK

20 X M16 (10.9)

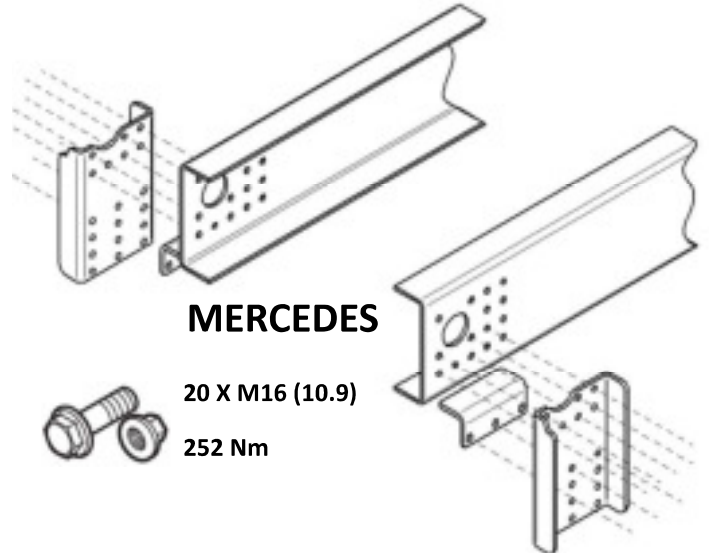
252 Nm



MAN / RENAULT

20 X M16 (10.9)

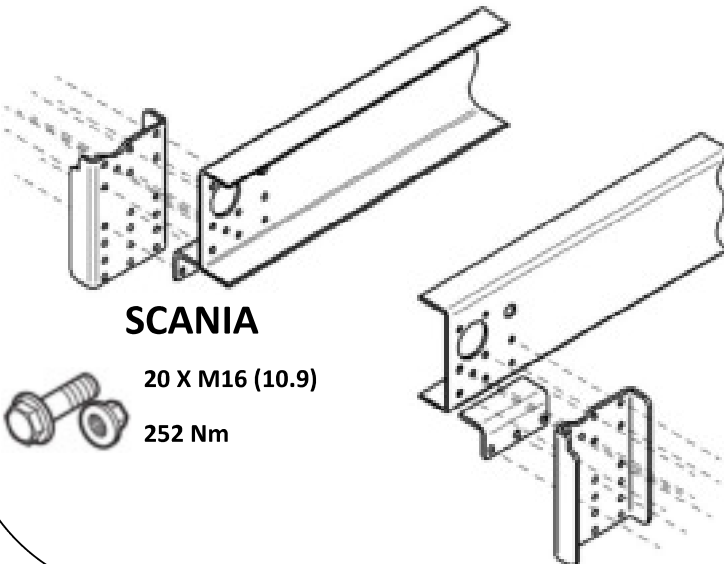
252 Nm



MERCEDES

20 X M16 (10.9)

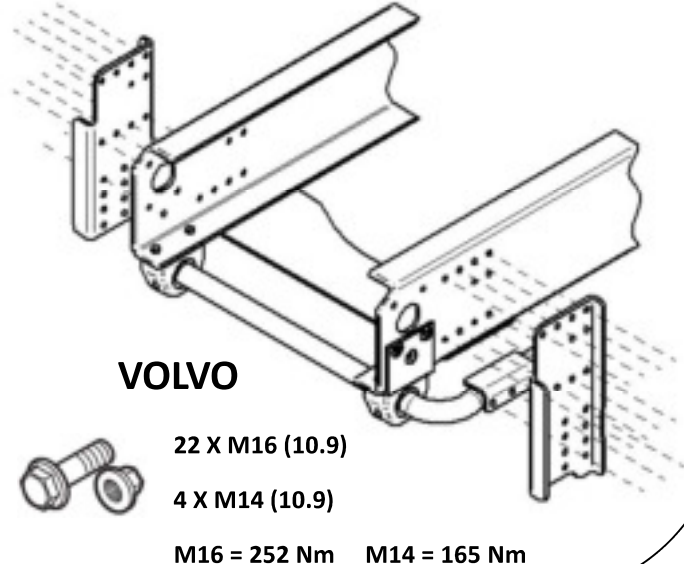
252 Nm



SCANIA

20 X M16 (10.9)

252 Nm



VOLVO

22 X M16 (10.9)

4 X M14 (10.9)

M16 = 252 Nm M14 = 165 Nm

2.

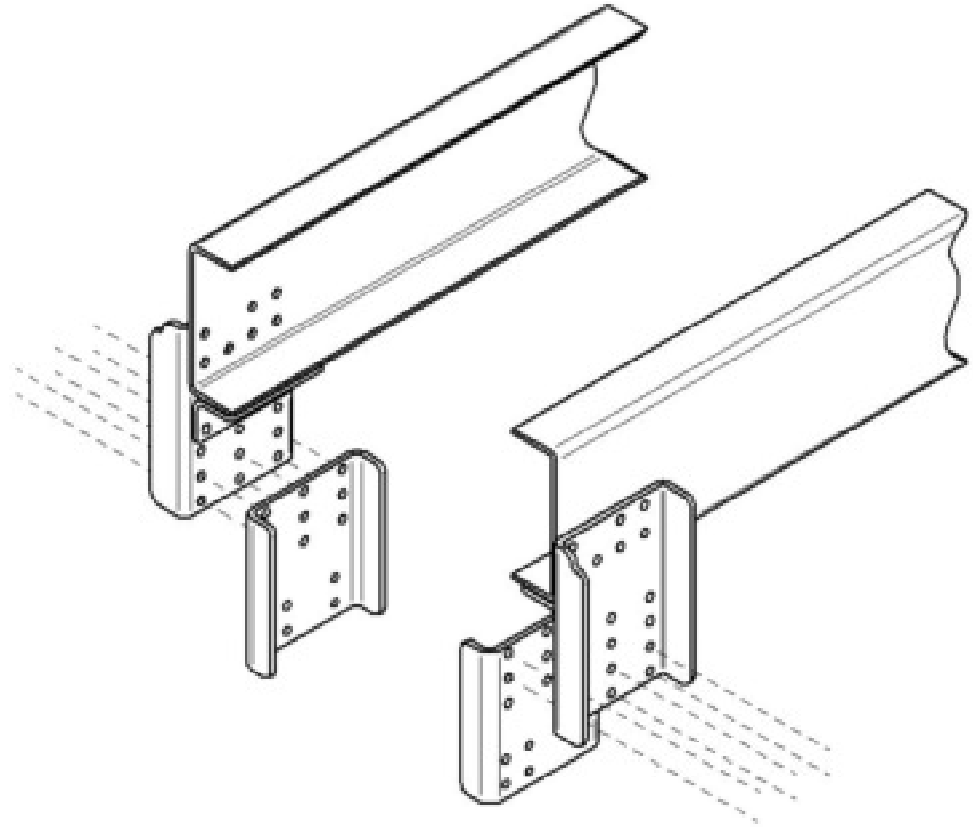
DAF

BLANK

MAN / RENAULT

MERCEDES

SCANIA

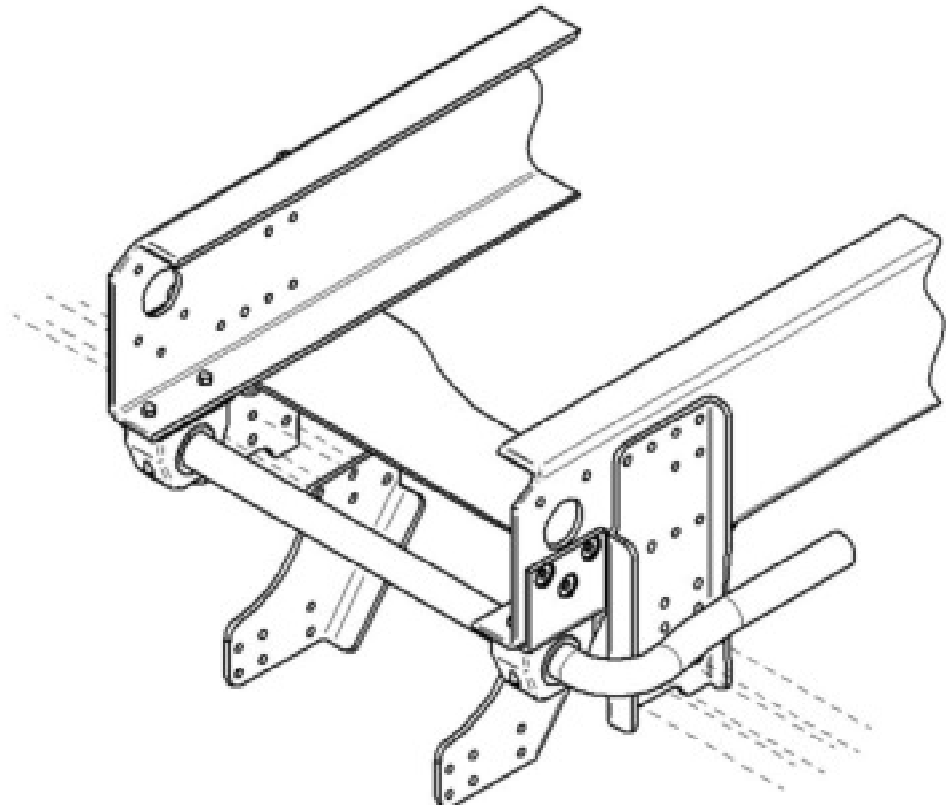


12 X M16 (10.9)

252 Nm

2.

VOLVO



12 X M16 (10.9)

252 Nm

3.

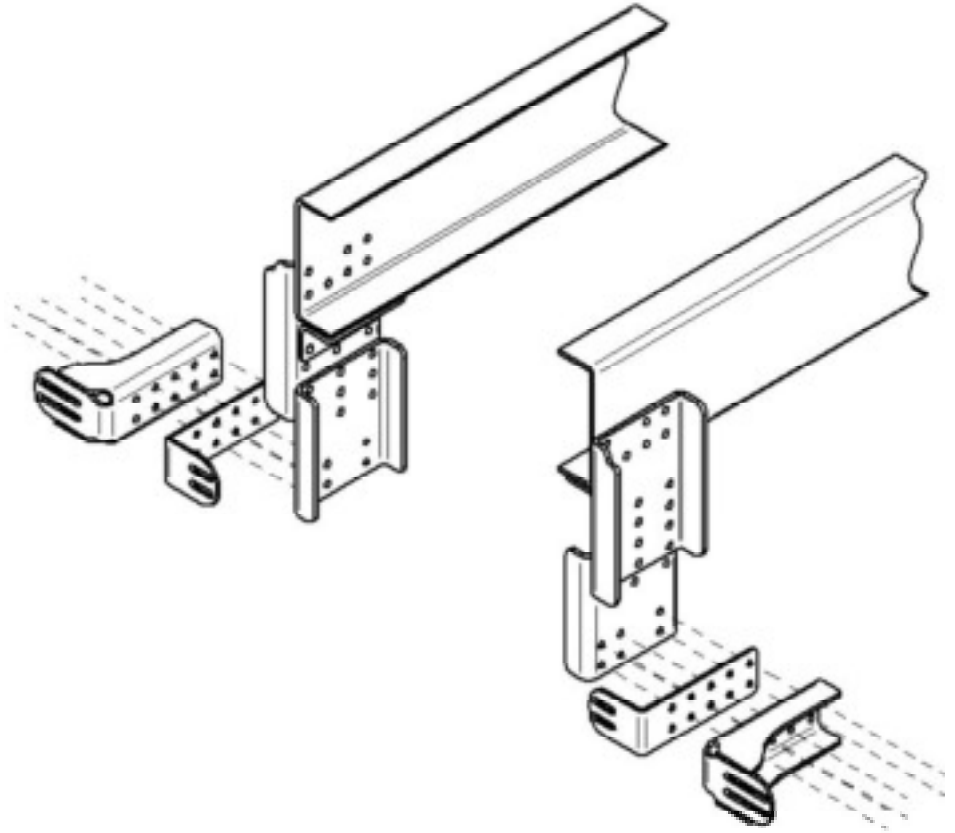
DAF

BLANK

MAN / RENAULT

MERCEDES

SCANIA

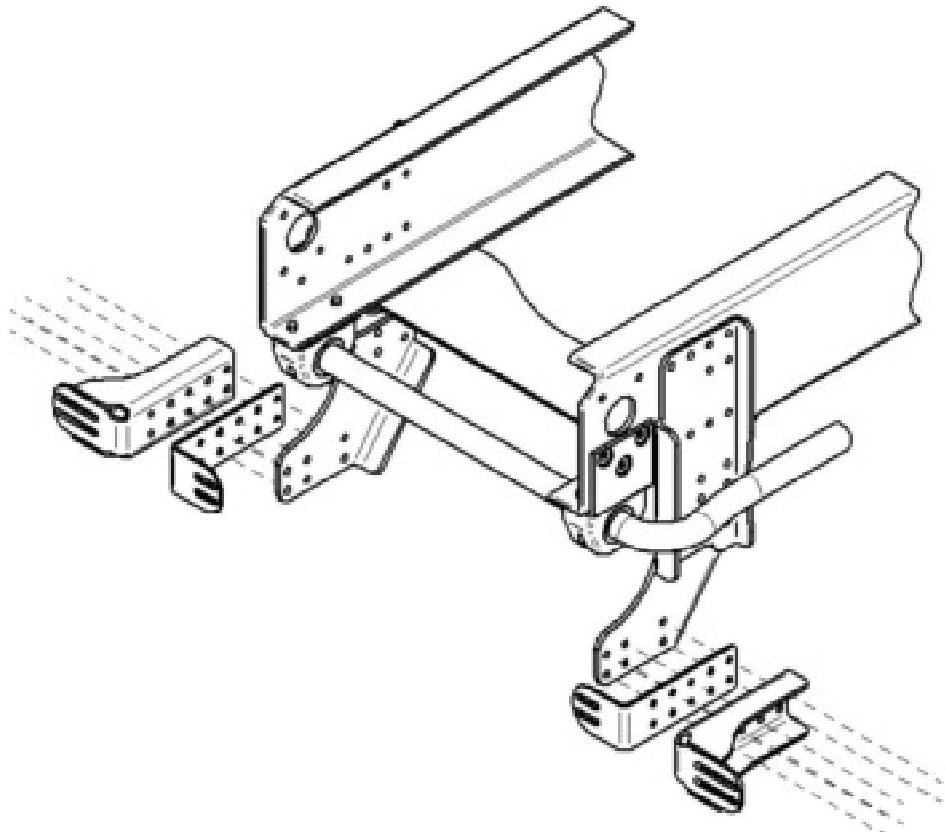


12 X M14 (10.9)

165 Nm

3.

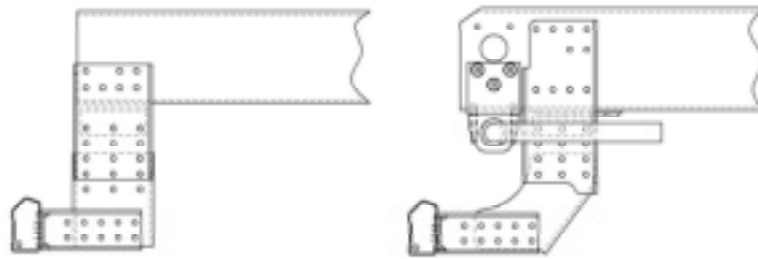
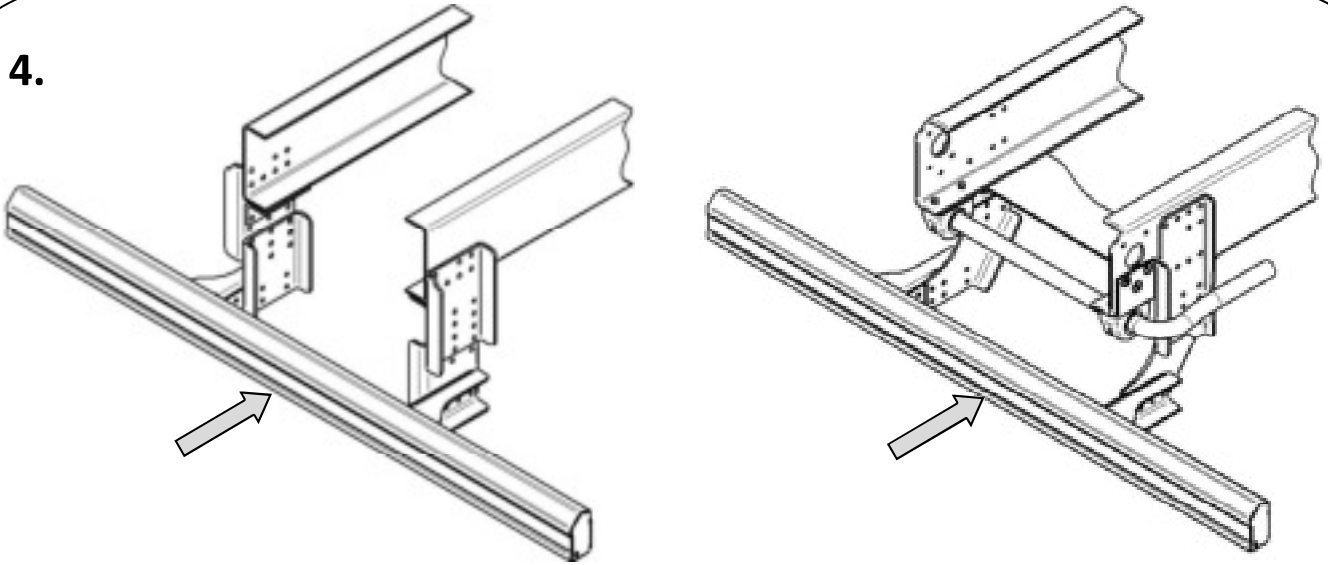
VOLVO



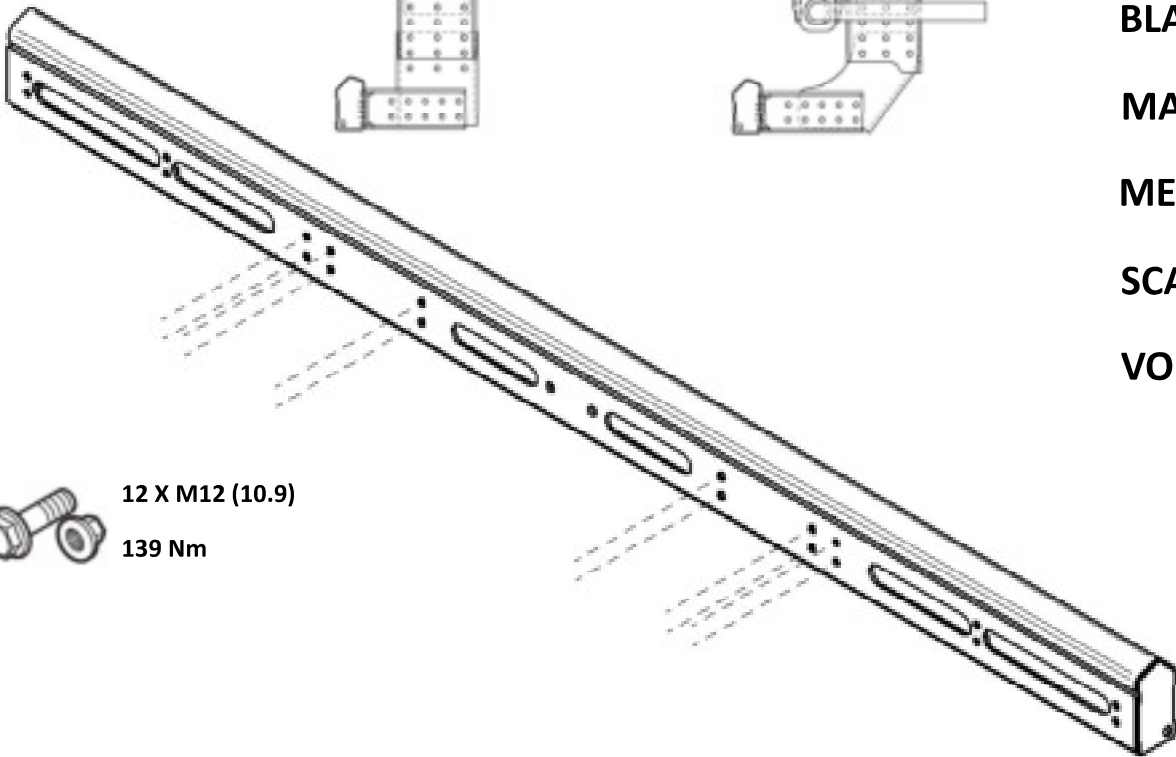
12 X M14


(10.9)

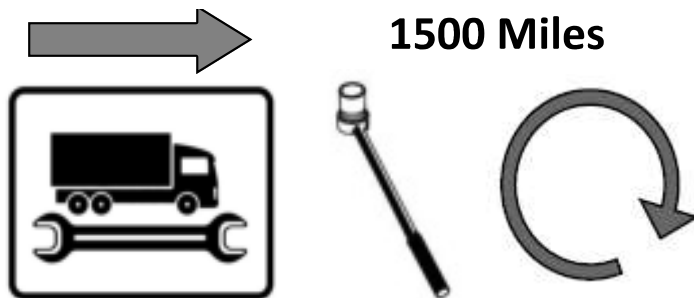
4.



- DAF
- BLANK
- MAN / RENAULT
- MERCEDES
- SCANIA
- VOLVO



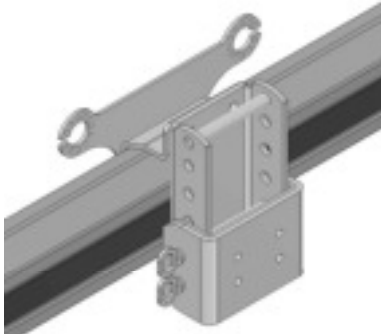
 12 X M12 (10.9)
139 Nm



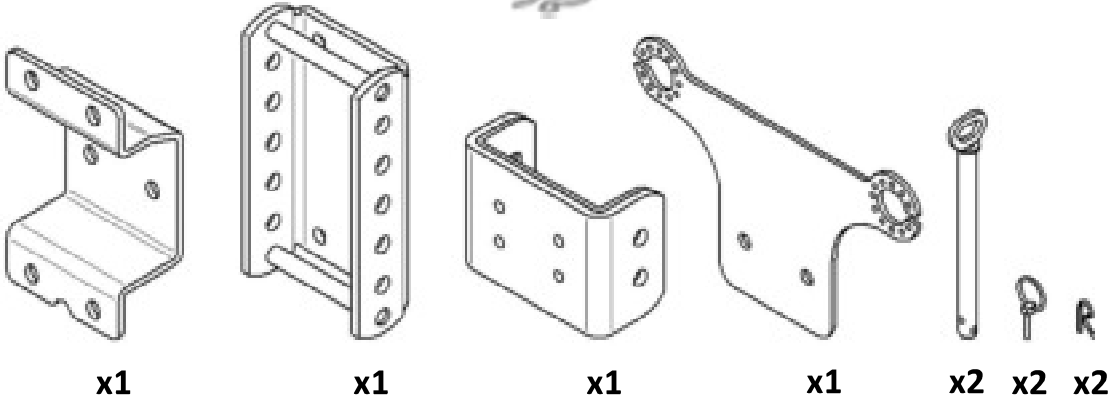
Optional Tow Pack (TTMP TOW - PACK)

5.

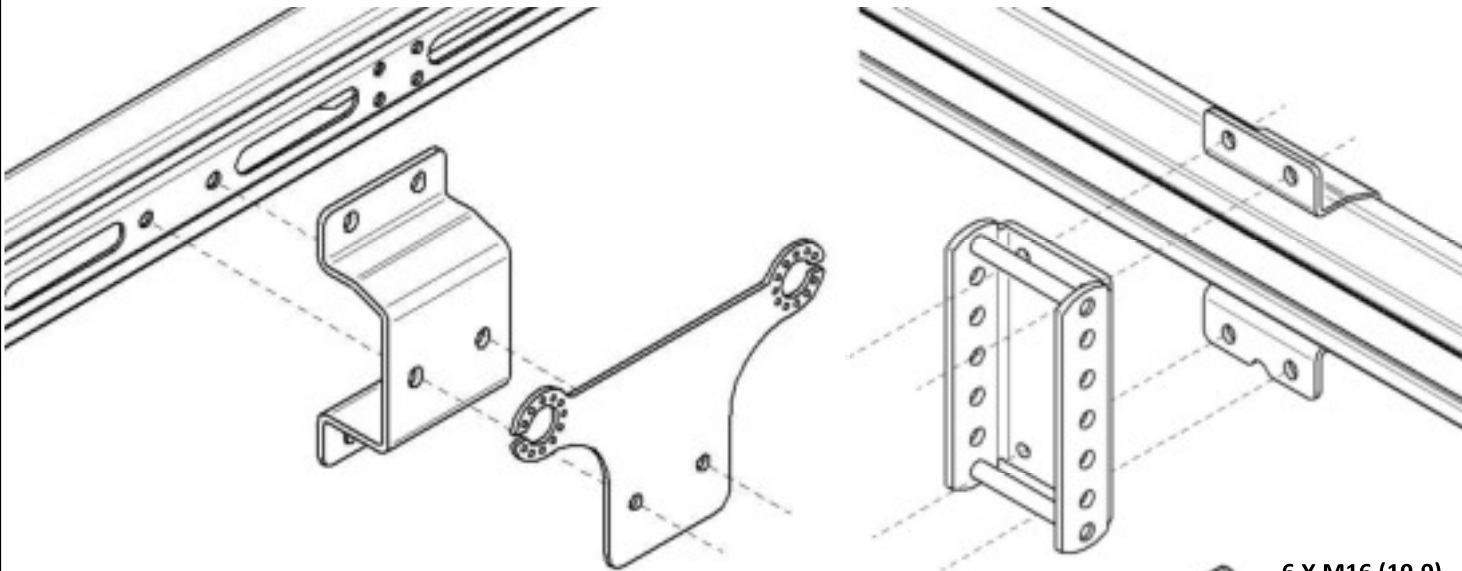
- DAF**
- BLANK**
- MAN / RENAULT**
- MERCEDES**
- SCANIA**
- VOLVO**



V502L



6x M16 x 40 Flange Bolts (Grade 10.9) & 4x Flange Lock Nuts



6 X M16 (10.9)
252 Nm

