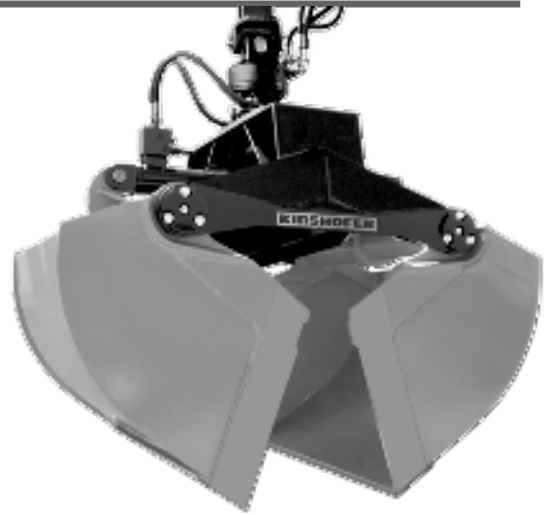


# High Volume Clamshell Bucket with Horizontal Cylinder

**KM 602**

A robust clamshell bucket for handling loose material as sand, gravel, soil – perfectly matched to heavy duty work on vehicle mounted cranes.

- **Excellent filling characteristics** of the rugged grapple due to the special shape of the buckets and the wide separation between their axes that enables wide opening.
- **Practically no “left overs”** of the material to be picked up as the working edges are vertical when the buckets are open and allow a deep plunge into a pile of material.
- **High stability** through reinforced buckets, torsion-free frame, generously dimensioned bearing system and the use of 500 HB steel in the manufacture of cutting edges.
- **Combination of compensator mechanism and cylinder guard** has many advantages: parallel action, longer life for piston rod and seals, significant weight savings.
- **Efficient handling** with high closing forces (28 kN at an operating pressure of 26 MPa).



Package High Volume Clamshell Bucket KM 602 c							
Type	Volume	Width E	max. Opening	Number of teeth	Self weight	Closing force	Load capacity
	(litre)	(mm)	(mm)	(optional)	(kg)	(kN)	(kg)
<b>KM 602-400 c</b>	400	800	1830	9	495	28	3000
<b>KM 602-500 c</b>	500	1000	1830	9	510	28	3000
<b>KM 602-650 c</b>	650	1200	1830	9	525	28	3000

**Package consists of:** high volume clamshell bucket, rotator KM 04 F, short connecting hoses KM 203 01, upper suspension KM 501 4500, (without teeth), non-return valve

**note:** UK package of KM 602 includes KM 04 F, KM 501, KM 203 01, KM 685 06 eye set 2, KM 685 07 set

High Volume Clamshell Bucket KM 602							
Type	Volume	Width E	max. Opening	Number of teeth	Self weight	Closing force	Load capacity
	(litre)	(mm)	(mm)	(optional)	(kg)	(kN)	(kg)
<b>KM 602-300</b>	300	500	1830	5	420	28	3000
<b>KM 602-400</b>	400	800	1830	9	450	28	3000
<b>KM 602-500</b>	500	1000	1830	9	465	28	3000
<b>KM 602-650</b>	650	1200	1830	9	480	28	3000
<b>KM 602-1000</b>	1000	1200	2190	9	595	23	3000

Accessories	
Type	Description
<b>KM 04 F</b>	recommended <b>KINSHOFER</b> rotator for KM 602
<b>KM 04 S</b>	<b>KINSHOFER</b> shaft rotator for precise positioning of the load – up to 4500 kg load capacity
<b>KM 04 S68-30US</b>	recommended <b>KINSHOFER</b> shaft rotator for heavy duty tasks – up to 4500 kg load capacity
<b>KM 505</b>	quick change system for shaft-type rotator KM 04 S
<b>KM 505 HD</b>	quick change system HD for shaft-type rotator KM 04 S68-30US
<b>KM 502 4500</b>	reduction link between rotator and grapple
<b>KM 685 06 eye / hook set 2</b>	welded eyes / welded hooks (2 pieces)
<b>KM 685 07 set</b>	wear plates to protect horizontal cutting edges (2 pieces)

## Requirements of Truck Crane      Technical Drawings

**Operating pressure:** 26 - 37 MPa (260 - 370 bar)

**Pump capacity:** 35 - 75 l/min

! Pump capacity / Operating pressure	> 40 l/min / 260 bar
	≤ 40 l/min / 370 bar

